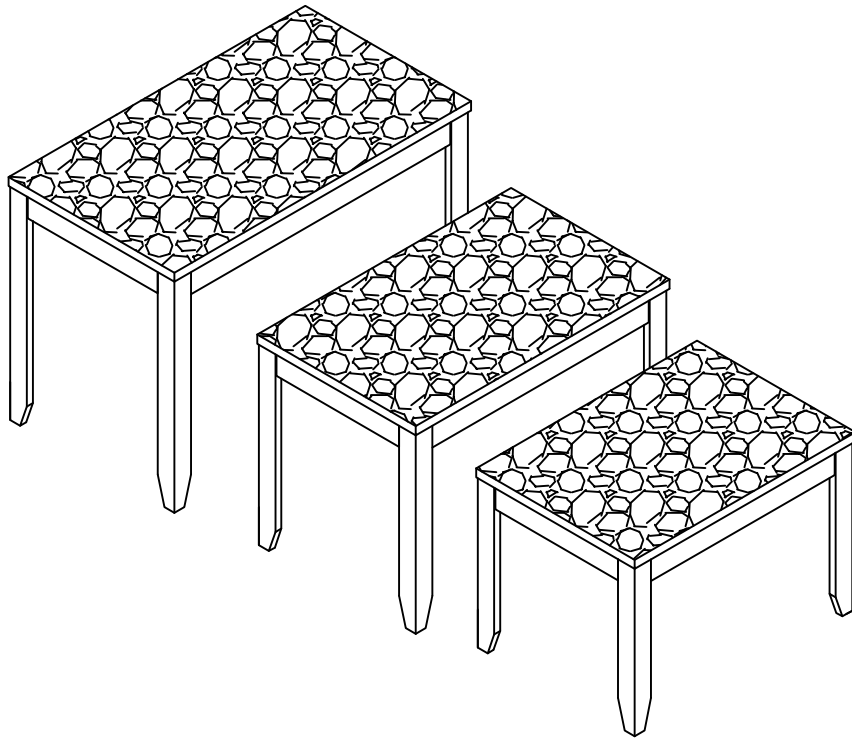


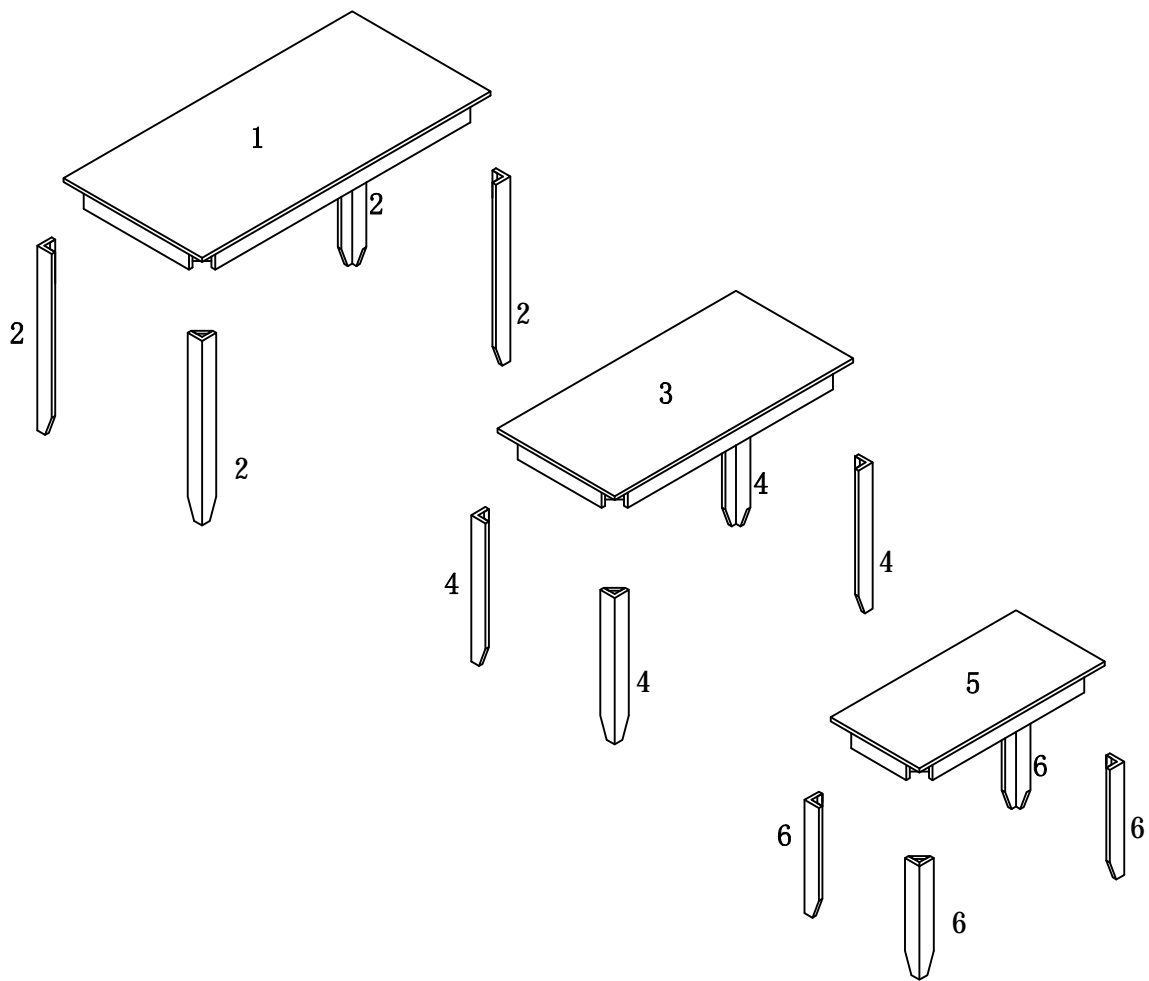
ASSEMBLY INSTRUCTIONS /
INSTRUCTIONS D'ASSEMBLAGE

ITEM NO/NO ARTICLE:ROMANST/151092-X3



PARTS IDENTIFICATIONS / IDENTIFICATION DES PIECES






ITEM NO/NO ARTICLE:ROMANST/151092-X3



(1)	1pc/pce	(6)	4pcs/pce
(2)	4pcs/pce		
(3)	1pc/pce		
(4)	4pcs/pce		
(5)	1pc/pce		

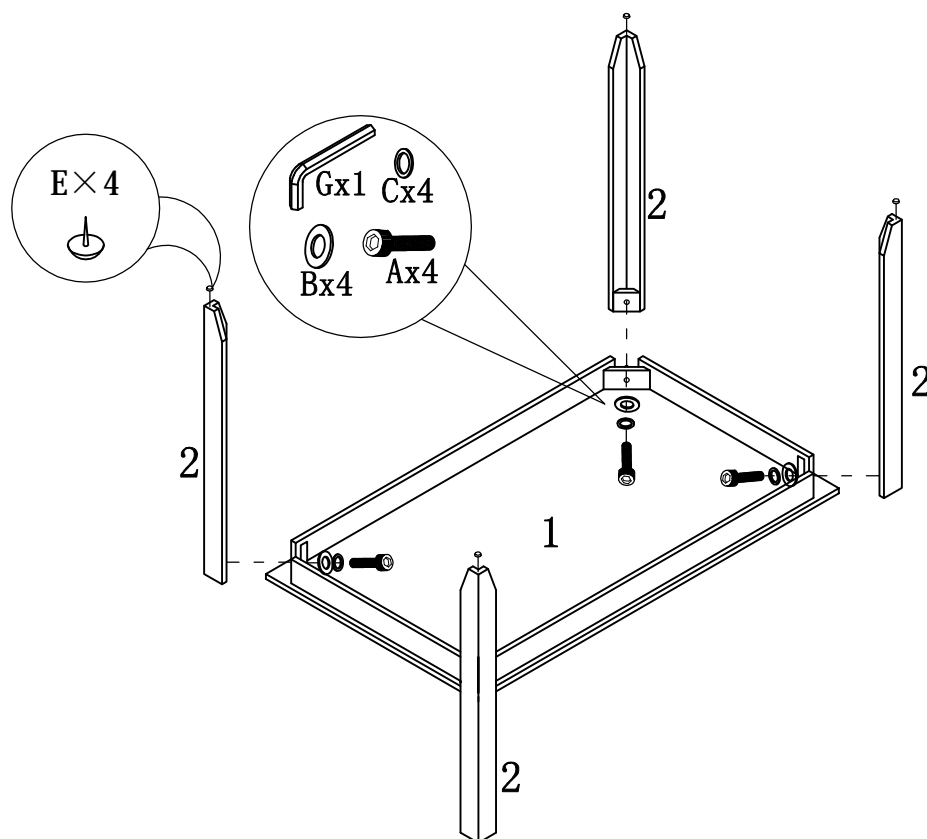
HARDWARE IDENTIFICATIONS/
IDENTIFICATION DU KIT D'ASSEMBLAGE

ITEM NO/NO ARTICLE:ROMANST/151092-X3

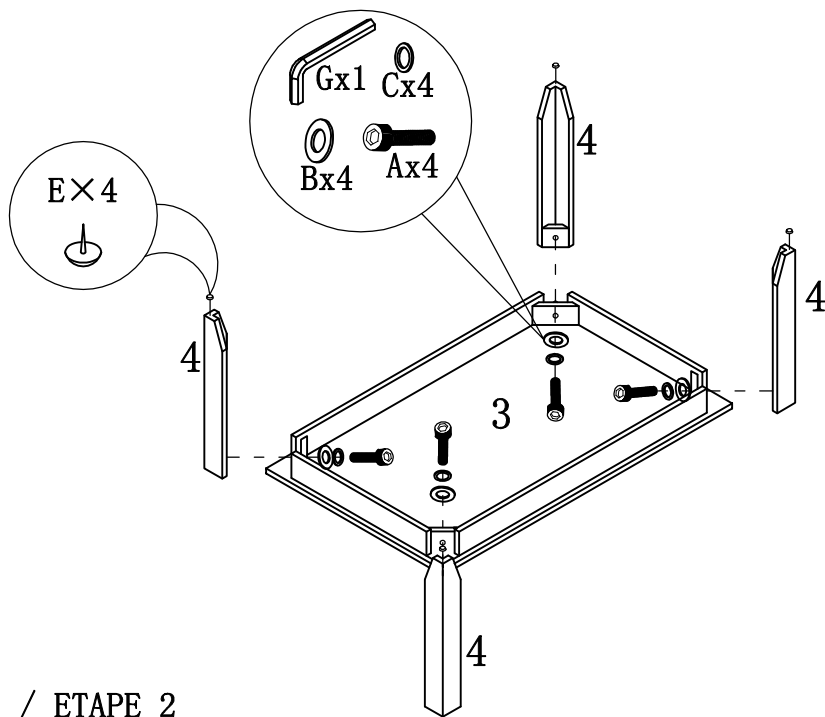
A		$\phi 8 \times 50$	12pcs
B		$\phi 16 \times 2$	12pcs
C			12pcs
D		M5	1pc
E		$\phi 16$	12pcs

HARDWARE IDENTIFICATIONS/
IDENTIFICATION DU KIT D'ASSEMBLAGE

ITEM NO/NO ARTICLE:ROMANST/151092-X3



ITEM NO/NO ARTICLE:ROMANST/151092-X3



STEP 2 / ETAPE 2

STEP 3 / ETAPE 3

