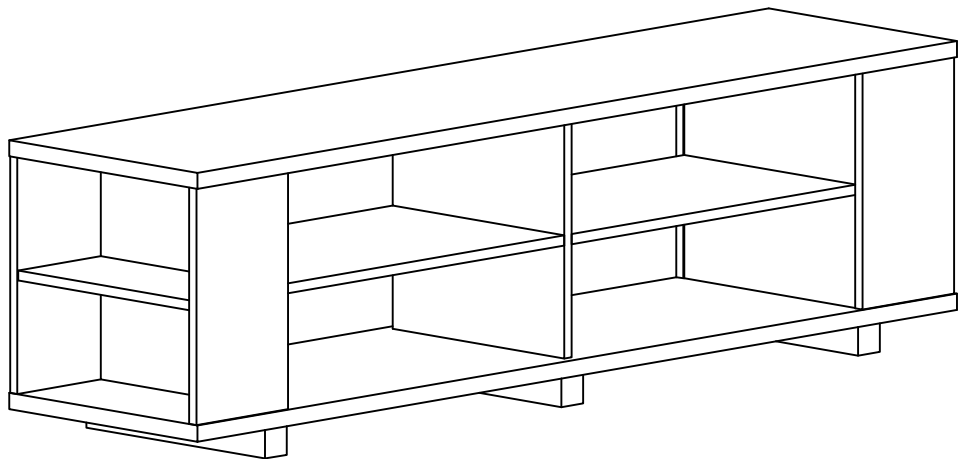


ASSEMBLY INSTRUCTIONS /  
INSTRUCTIONS D'ASSEMBLAGE

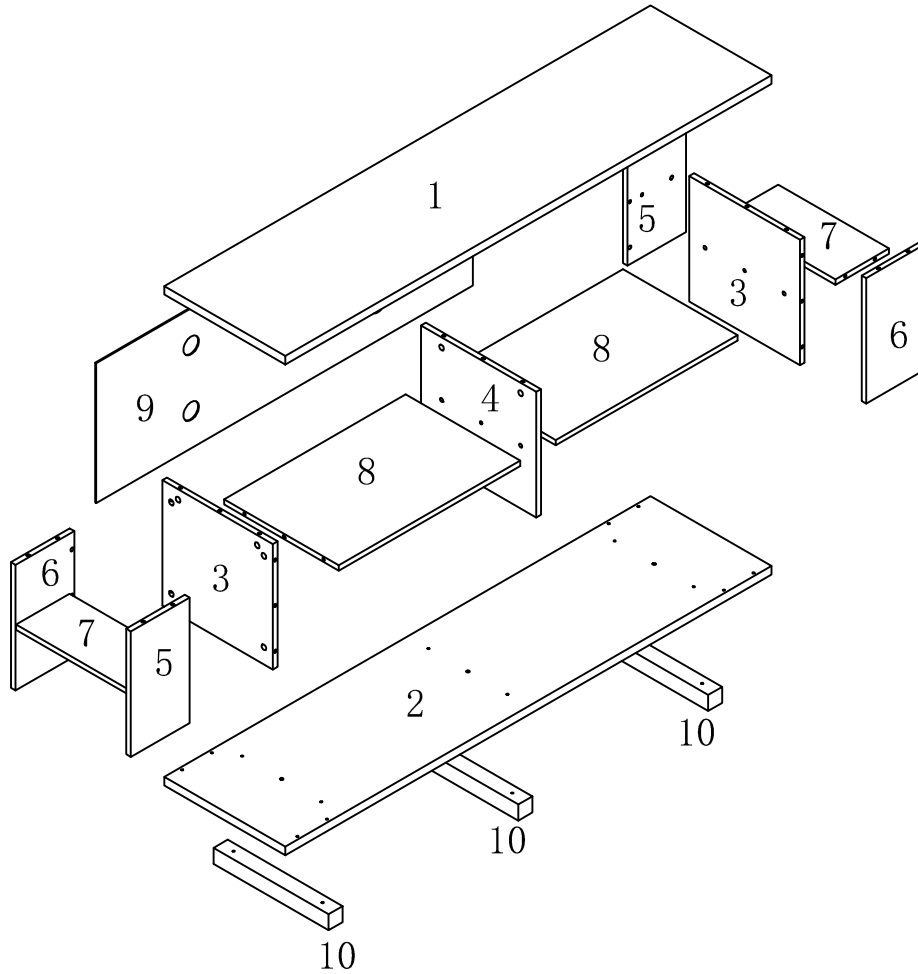
---

ITEM NO/NO ARTICLE: DUK62TVS/243312



# PARTS IDENTIFICATIONS / IDENTIFICATION DES PIECES




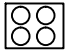



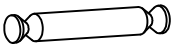

ITEM NO/NO ARTICLE: DUK62TVS/243312



(1)	1pc/pce	(8)	1pc/pce
(2)	1pc/pce	(9)	2pcs/pces
(3)	1pc/pce	(10)	1pc/pce
(4)	1pc/pce	(11)	1pc/pce
(5)	1pc/pce	(12)	1pc/pce
(6)	1pc/pce	(13)	1pc/pce
(7)	1pc/pce	(14)	3pcs/pces

HARDWARE IDENTIFICATIONS/  
IDENTIFICATION DU KIT D'ASSEMBLAGE

ITEM NO/NO ARTICLE: DUK62TVS/243312

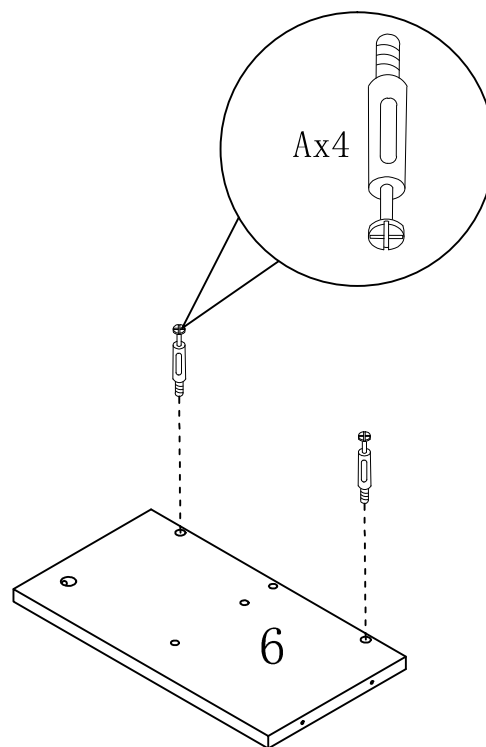
A		$\Phi 15$	26pcs/pces
B		L29	22pcs/pces
C		$\Phi 8 \times 25$	26pcs/pces
D		$\Phi 22$	18pcs/pces
E		$\Phi 4 \times 35$	14pcs/pces
F			24pcs/pces
G		$\Phi 16$	6pcs/pces
H		L=74	2pcs/pces
I		$\Phi 4 \times 45$	6pcs/pces

# ITEM NO/NO ARTICLE: DUK62TVS/243312

---

STEP 1 / ETAPE 1

X2

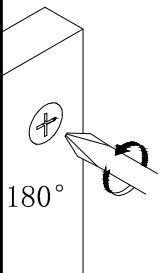
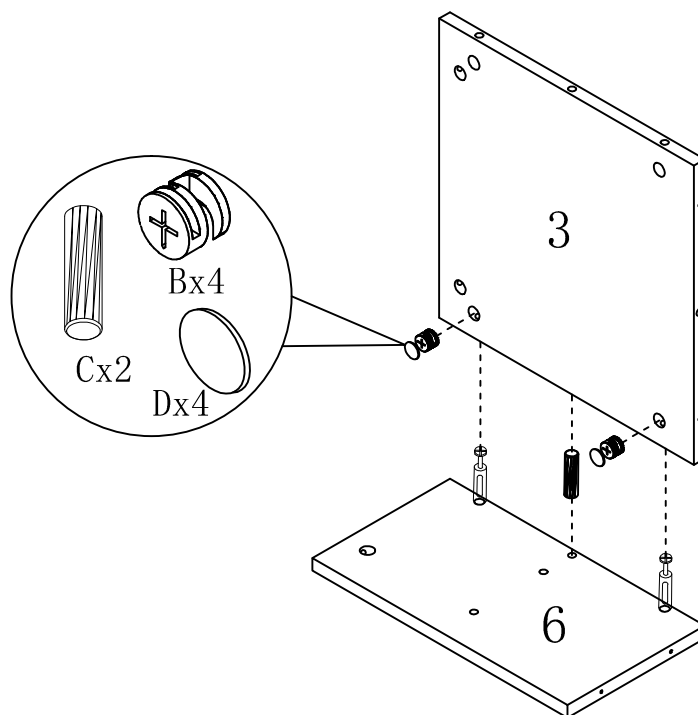



TOOLS REQUIRED (NOT INCLUDED)  
OUTILS REQUIS (NON COMPRIS)

# ITEM NO/NO ARTICLE: DUK62TVS/243312

STEP 2 / ETAPE 2

X2



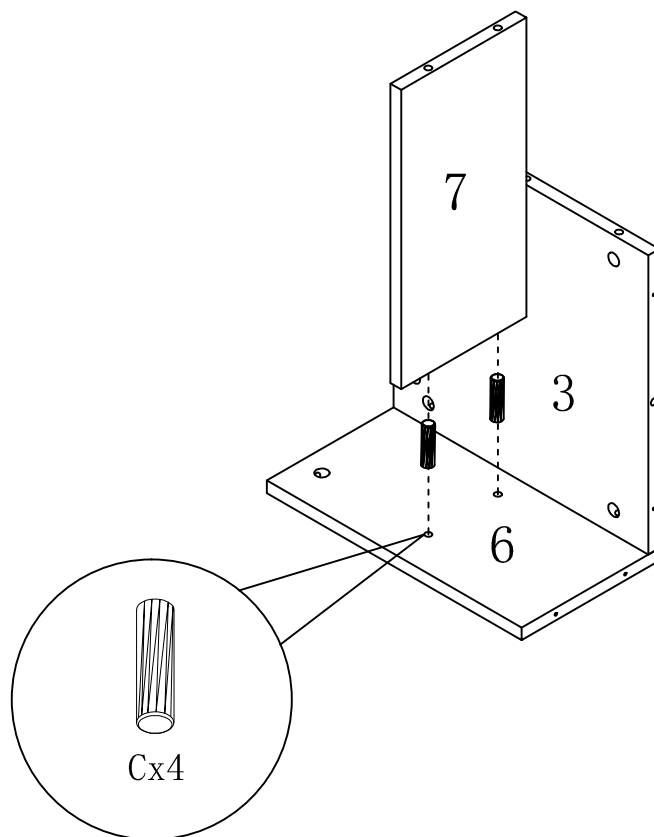
  
TOOLS REQUIRED (NOT INCLUDED)  
OUTILS REQUIS (NON COMPRIS)

# ITEM NO/NO ARTICLE: DUK62TVS/243312

---

STEP 3 / ETAPE 3

X2

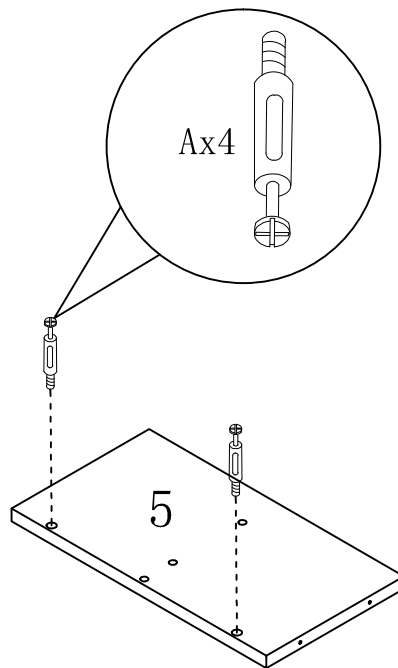


# ITEM NO/NO ARTICLE: DUK62TVS/243312

---

STEP 4 / ETAPE 4

X2

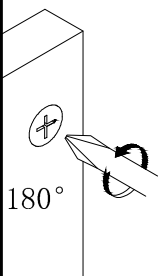
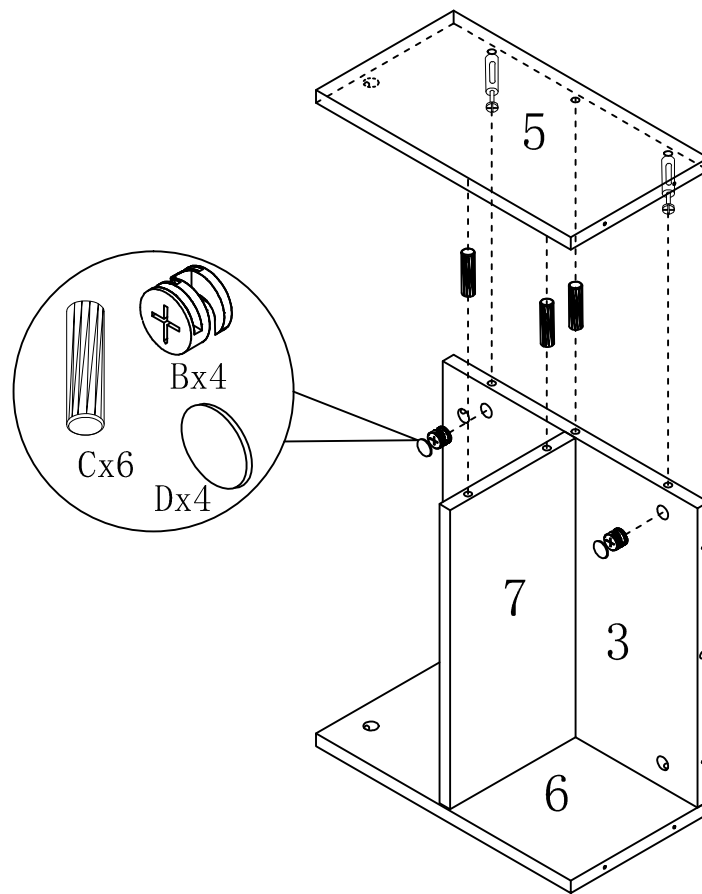



TOOLS REQUIRED (NOT INCLUDED)  
OUTILS REQUIS (NON COMPRIS)

# ITEM NO/NO ARTICLE: DUK62TVS/243312

STEP 5 / ETAPE 5

X2

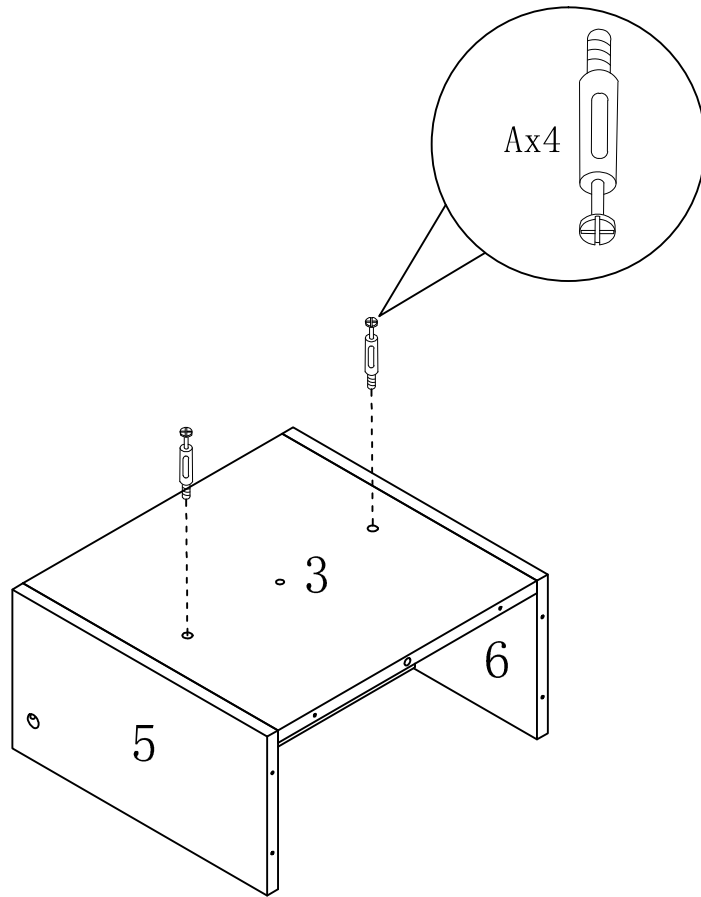


  
TOOLS REQUIRED (NOT INCLUDED)  
OUTILS REQUIS (NON COMPRIS)

ITEM NO/NO ARTICLE: DUK62TVS/243312

STEP 6 / ETAPE 6

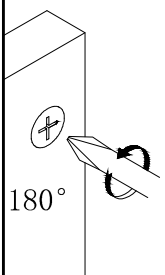
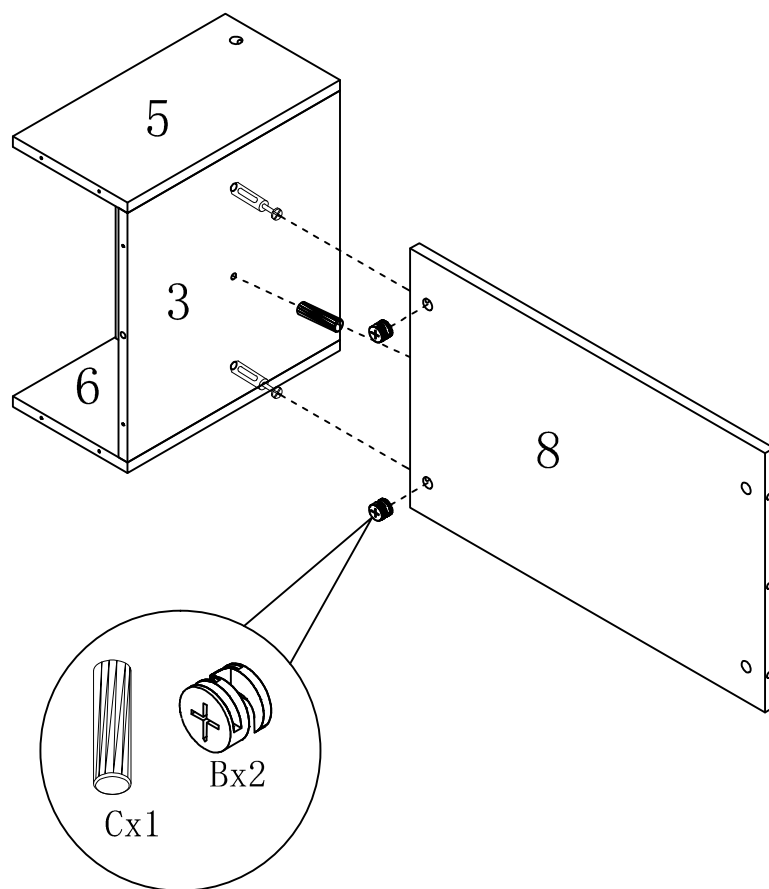
X2




TOOLS REQUIRED (NOT INCLUDED)  
OUTILS REQUIS (NON COMPRIS)

# ITEM NO/NO ARTICLE: DUK62TVS/243312

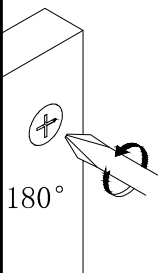
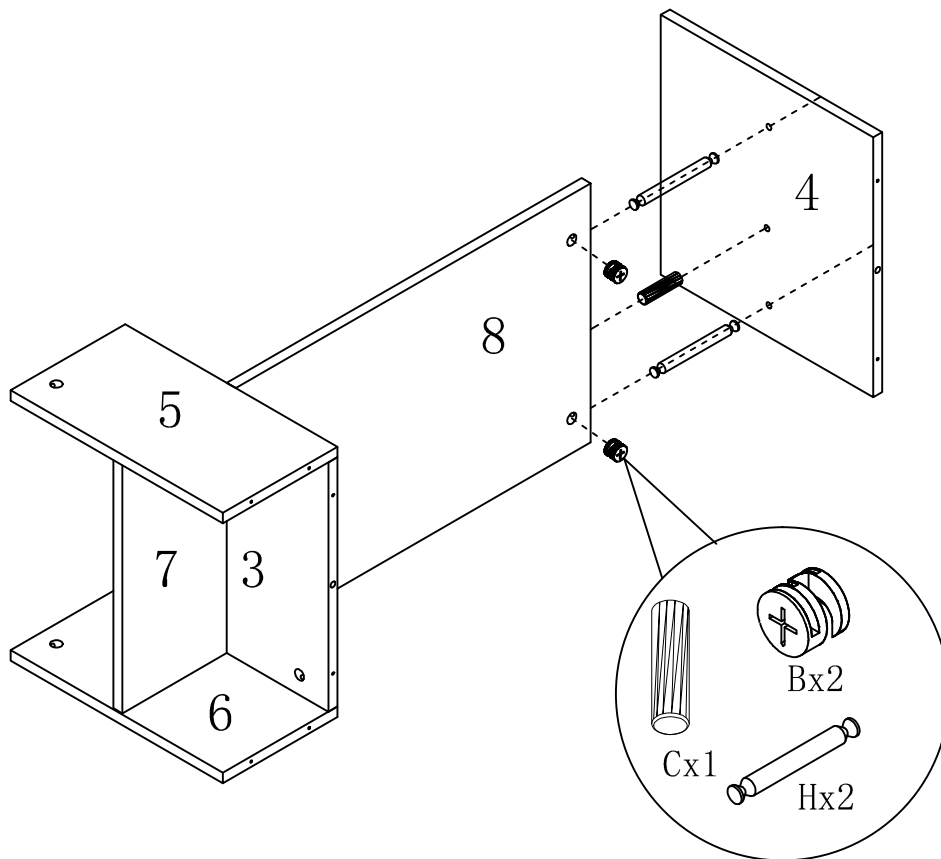
STEP 7 / ETAPE 7




  
TOOLS REQUIRED (NOT INCLUDED)  
OUTILS REQUIS (NON COMPRIS)

# ITEM NO/NO ARTICLE: DUK62TVS/243312

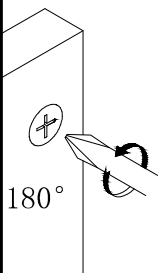
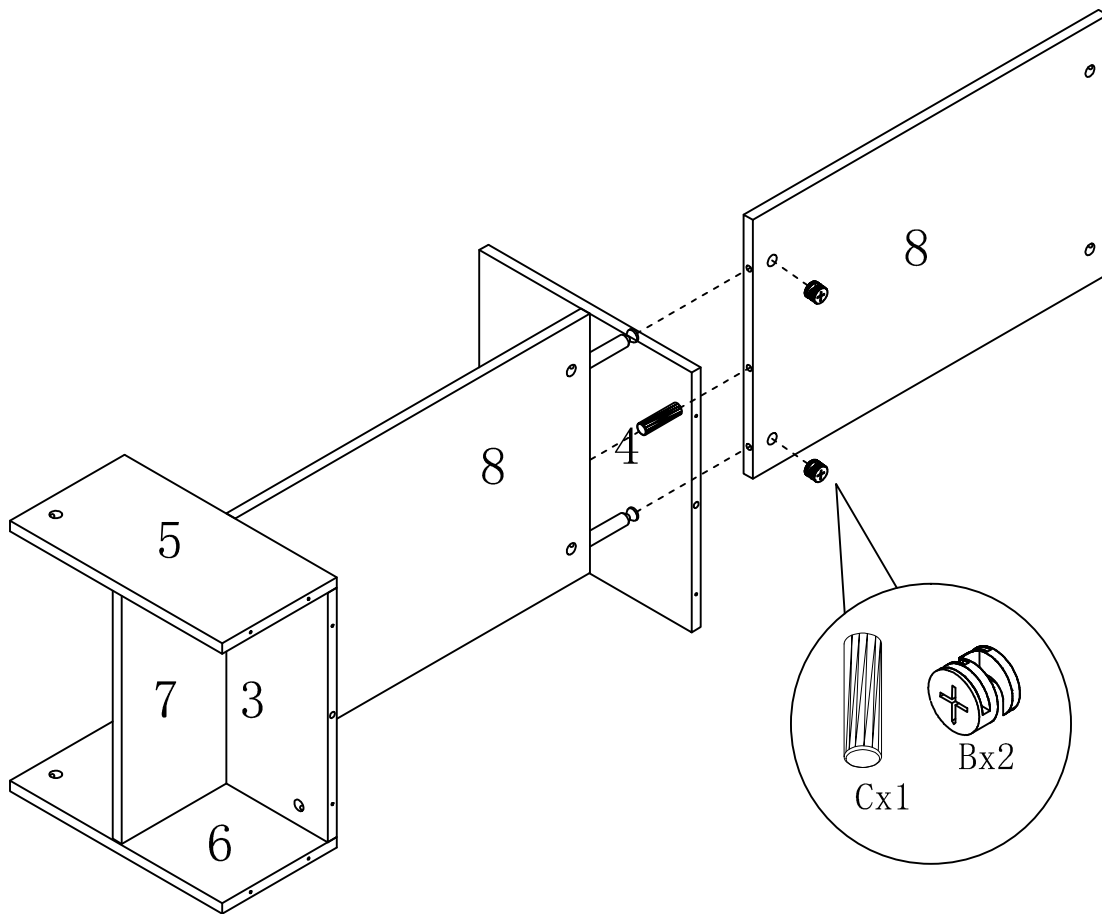
STEP 8 / ETAPE 8




  
TOOLS REQUIRED (NOT INCLUDED)  
OUTILS REQUIS (NON COMPRIS)

# ITEM NO/NO ARTICLE: DUK62TVS/243312

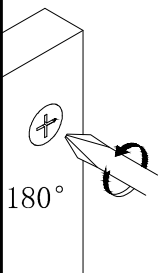
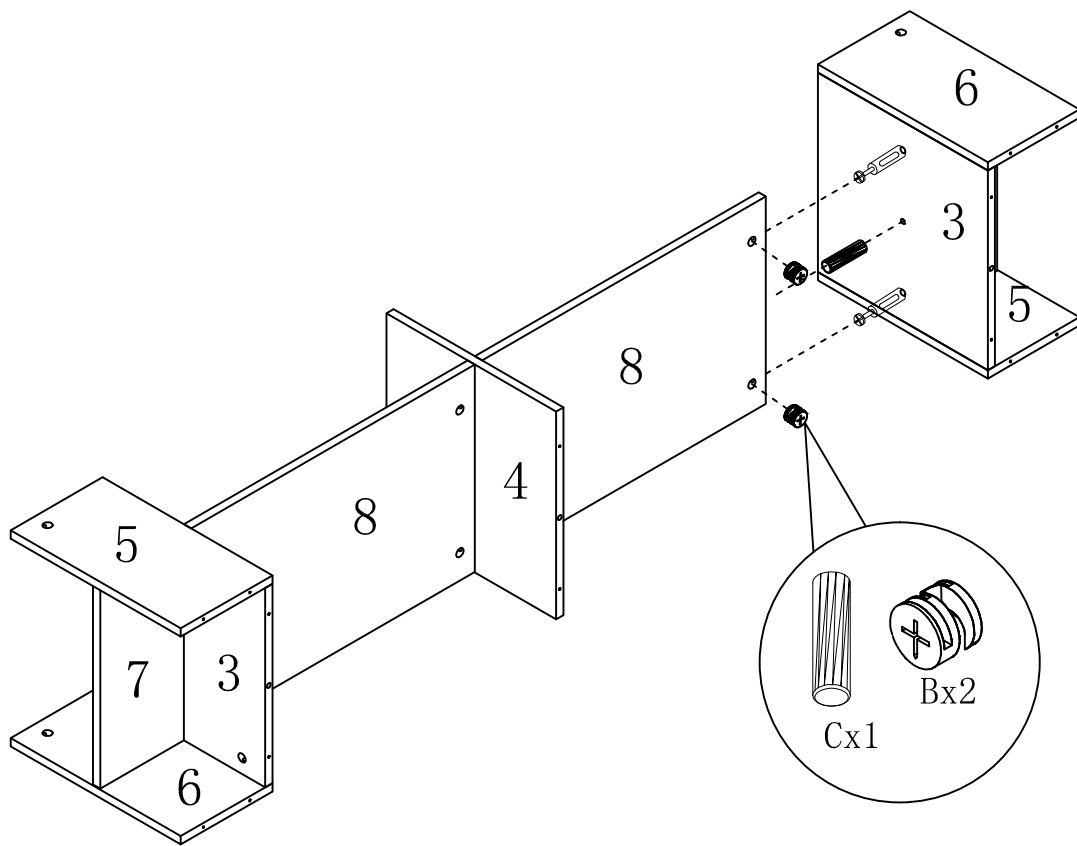
STEP 9 / ETAPE 9



  
TOOLS REQUIRED (NOT INCLUDED)  
OUTILS REQUIS (NON COMPRIS)

# ITEM NO/NO ARTICLE: DUK62TVS/243312

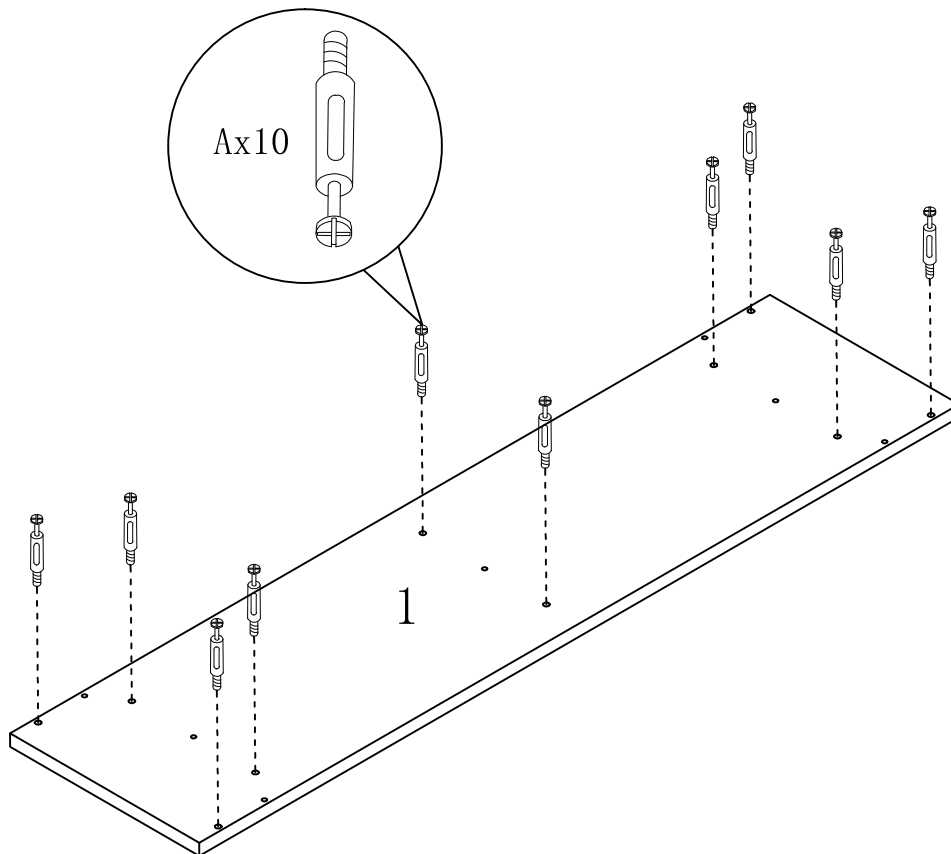
STEP 10 / ETAPE 10



TOOLS REQUIRED (NOT INCLUDED)  
OUTILS REQUIS (NON COMPRIS)

# ITEM NO/NO ARTICLE: DUK62TVS/243312

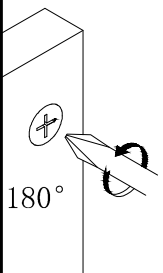
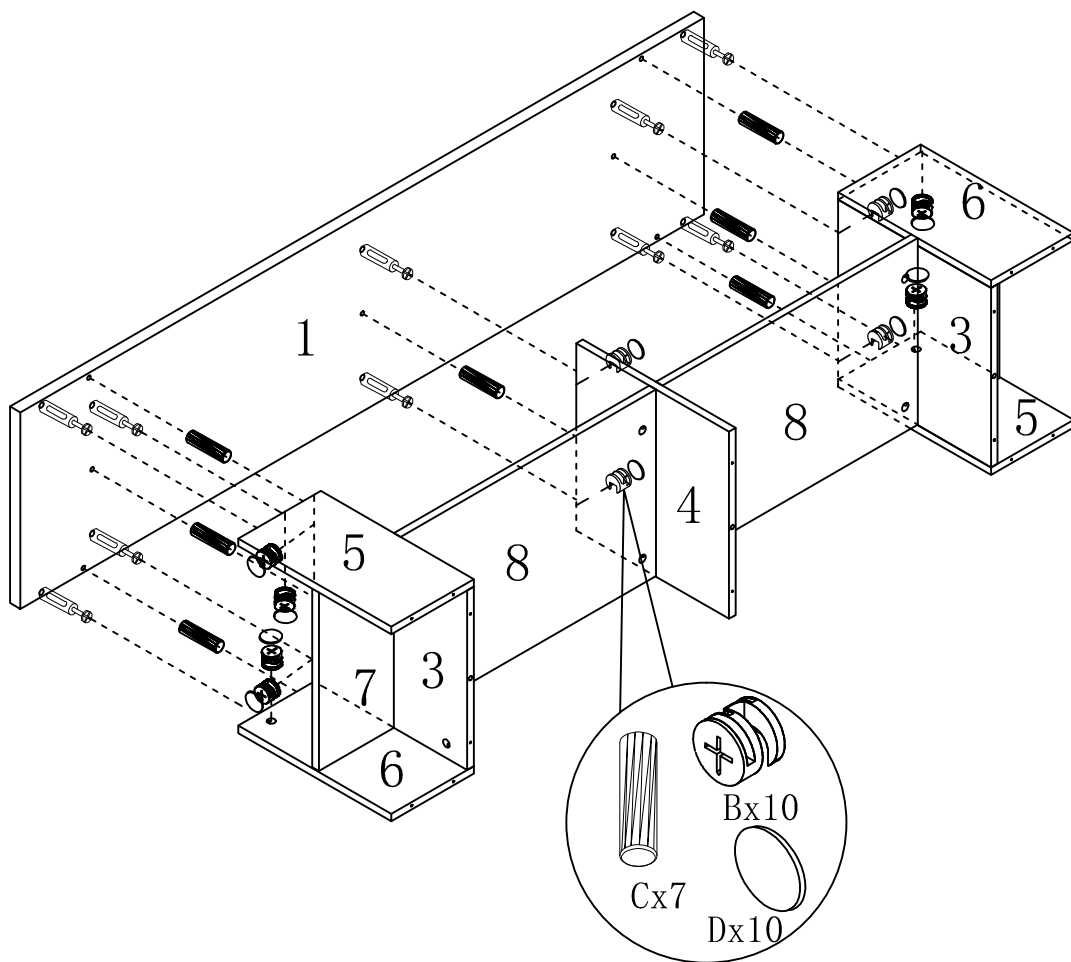
STEP 11 / ETAPE 11



TOOLS REQUIRED (NOT INCLUDED)  
OUTILS REQUIS (NON COMPRIS)

# ITEM NO/NO ARTICLE: DUK62TVS/243312

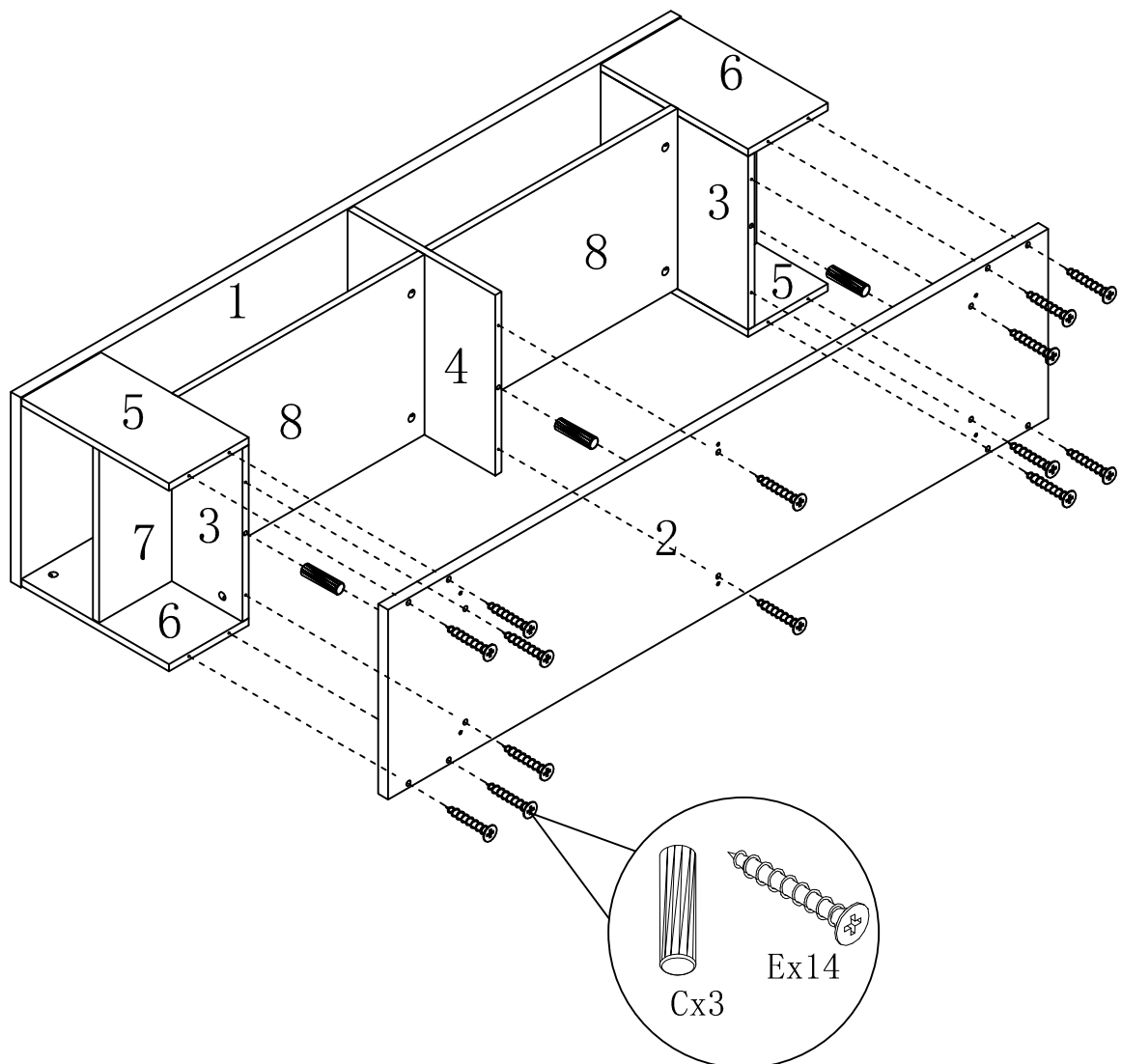
STEP 12 / ETAPE 12



TOOLS REQUIRED (NOT INCLUDED)  
OUTILS REQUIS (NON COMPRIS)

# ITEM NO/NO ARTICLE: DUK62TVS/243312

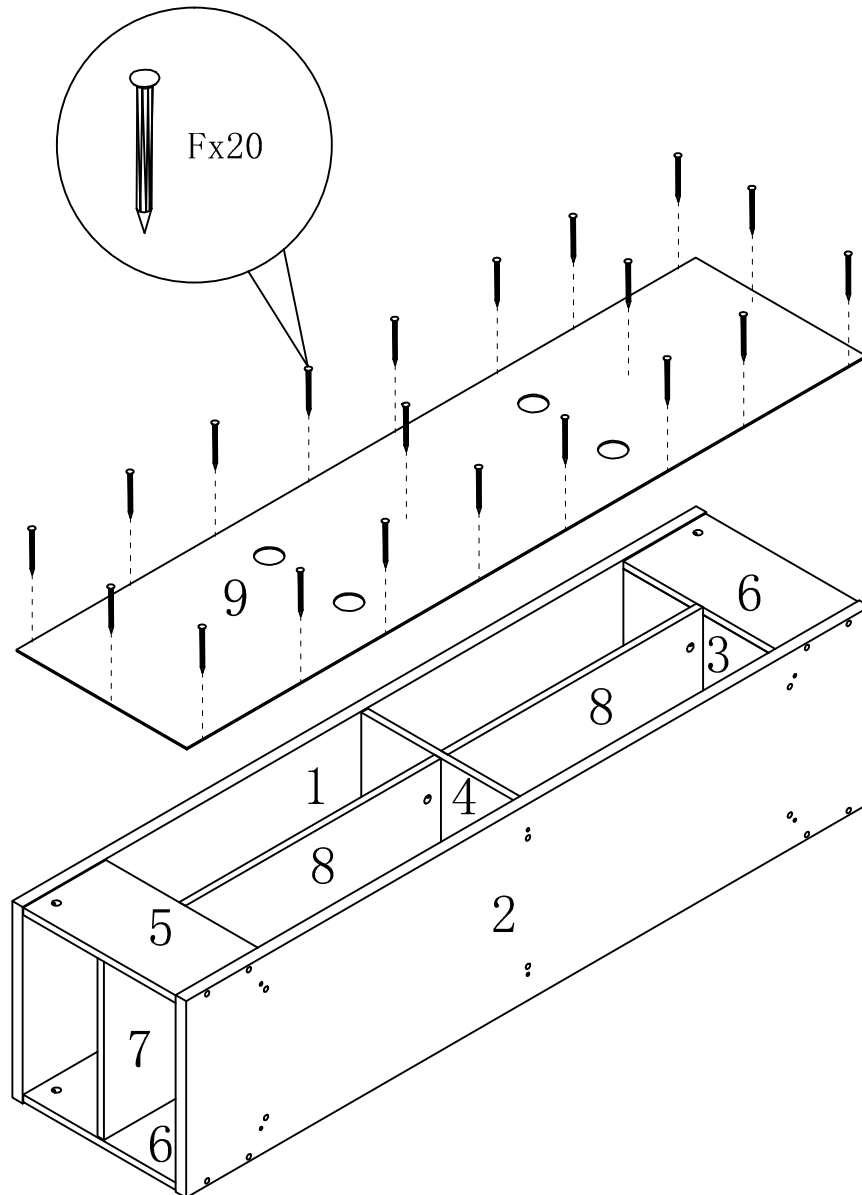
STEP 13 / ETAPE 13



TOOLS REQUIRED (NOT INCLUDED)  
OUTILS REQUIS (NON COMPRIS)

# ITEM NO/NO ARTICLE: DUK62TVS/243312

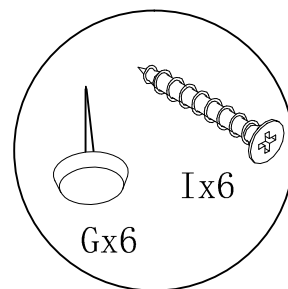
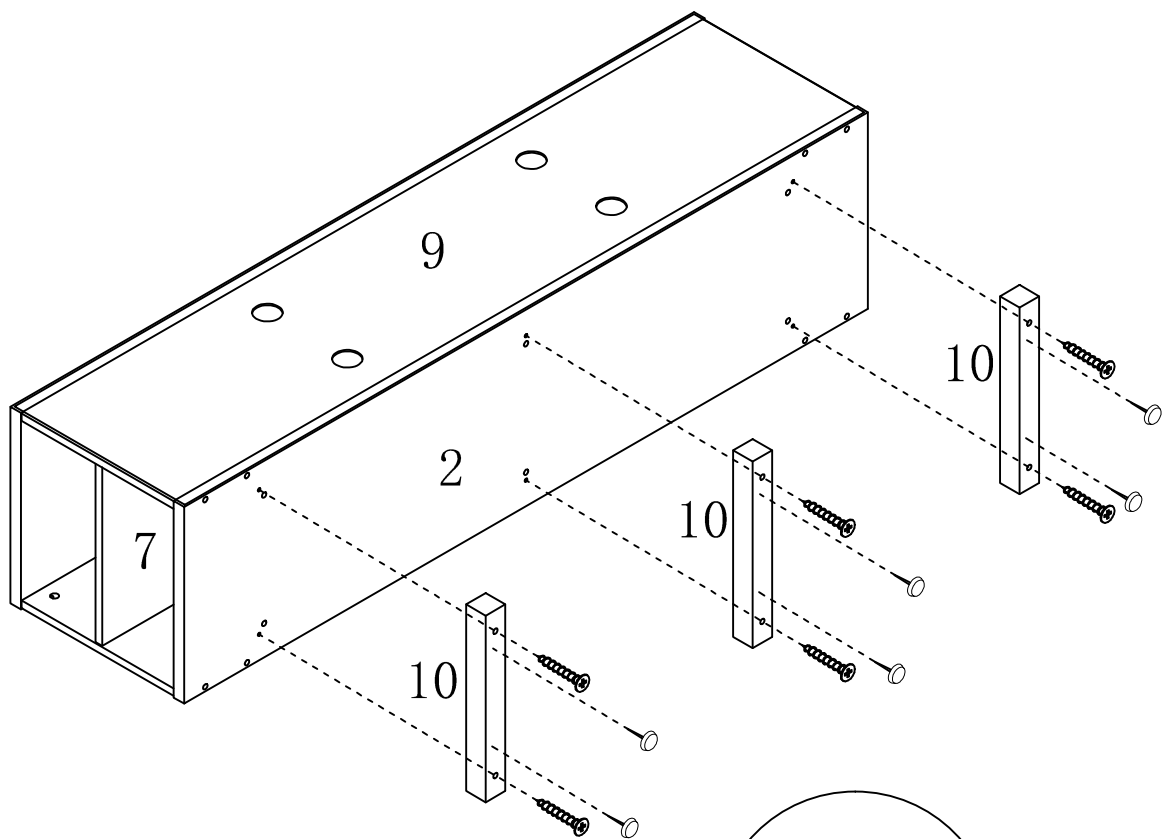
STEP 14 / ETAPE 14



TOOLS REQUIRED (NOT INCLUDED)  
OUTILS REQUIS (NON COMPRIS)

# ITEM NO/NO ARTICLE: DUK62TVS/243312

STEP 15 / ETAPE 15



TOOLS REQUIRED (NOT INCLUDED)  
OUTILS REQUIS (NON COMPRIS)