

INSTRUCCIONES DE MONTAJE NOTICE D'ASSEMBLAGE

DESC: Falcon Gaming Chair / FAUTEUIL DE JEU FALCON

7068 BLACK

Important note/Note importante:

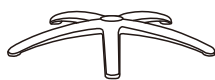
1. Place all wooden parts on a clean and smooth surface such as a rug or carpet to avoid scratching the parts./ Placer les pièces sur une surface propre et lisse tel qu'une couverture ou un tapis pour éviter d'endommager les pièces.

2. Kindly follow the assembly instructions step by step./ Veuillez suivre la notice d'assemblage, pas à pas.

3. Do not tighten all screws and bolts until the chair is fully assembled./ Ne serrer les vis et boulons à fond que lorsque le produit est entièrement assemblé.

PARTS IDENTIFICATION / IDENTIFICATION DES PIÈCES

1 Base / Base



1pc

2 Caster / Roulette



5pcs

3 Gaslift / Injection de gaz



1pc

4 Cover / Couvercle



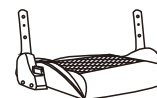
1pc

5 Mechanism / Mécanisme



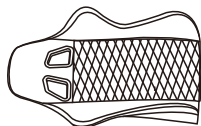
1pc

6 Seat / Siège



1pc

7 Back / Arrière



1pc

8 Armrest / Accoudoir



2pcs

9 Pillow / Coussin



2pcs

10 Main engine / Moteur principal



R

11 Main engine / Moteur principal



L

INSTRUCCIONES DE MONTAJE NOTICE D'ASSEMBLAGE

DESC: Falcon Gaming Chair / FAUTEUIL DE JEU FALCON

7068 BLACK

HARDWARE IDENTIFICATION / IDENTIFICATION DES PIÈCES MONTAGE

A Bolt
Boulon

M8*25mm



16pcs

B Pillow
Boulon

M5*8mm



2pcs

C Gap
Espace



2pcs

D Flat Washer Rondelle
Plate



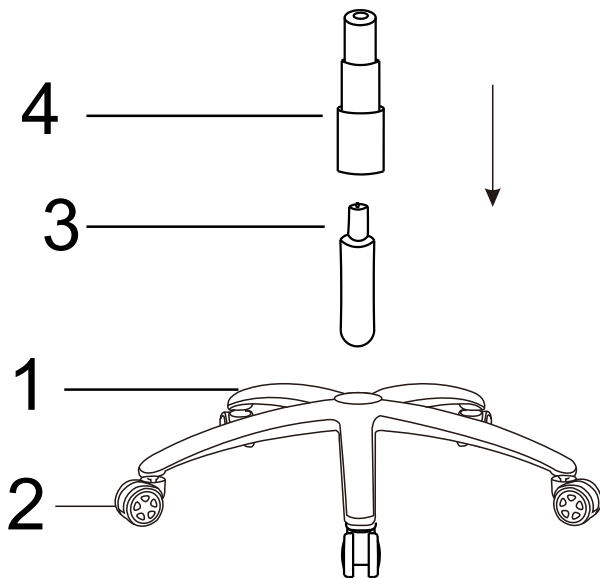
16pcs

E Allen Key
Clé Allen
M4 x59mmT

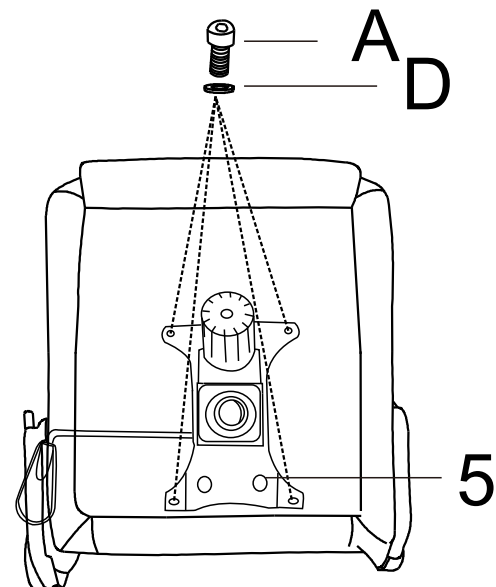


1pc

STEP 1 / ÉTAPE 1



STEP 2 / ÉTAPE 2

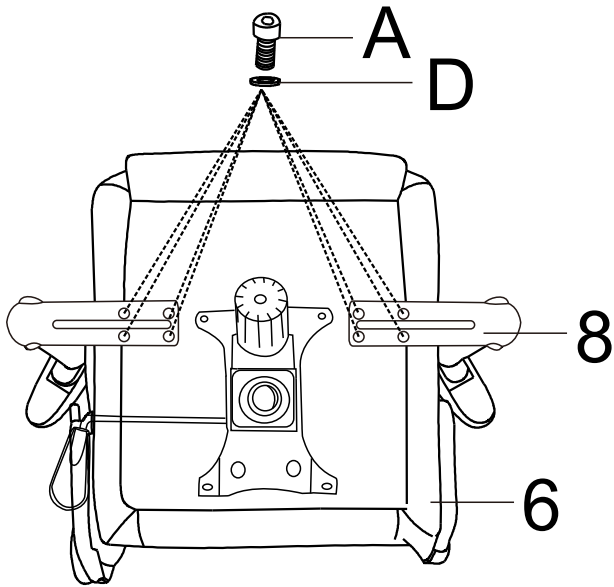


INSTRUCCIONES DE MONTAJE NOTICE D'ASSEMBLAGE

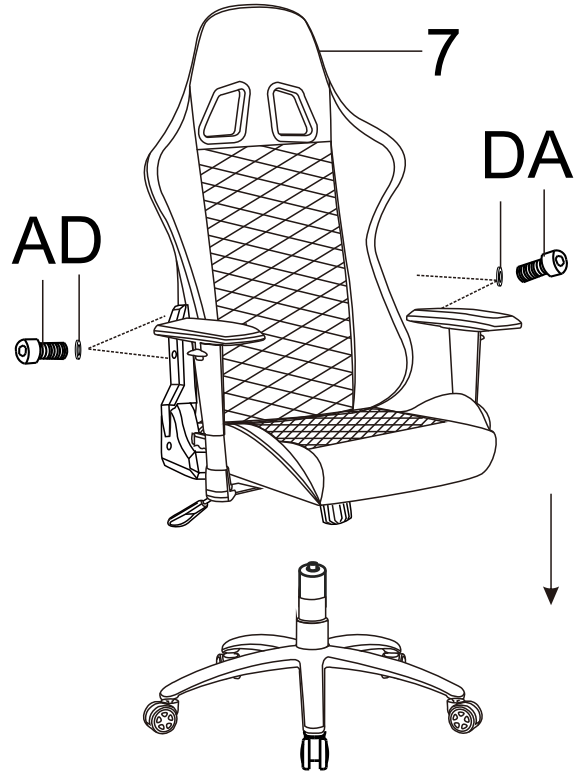
DESC: Falcon Gaming Chair / FAUTEUIL DE JEU FALCON

7068 BLACK

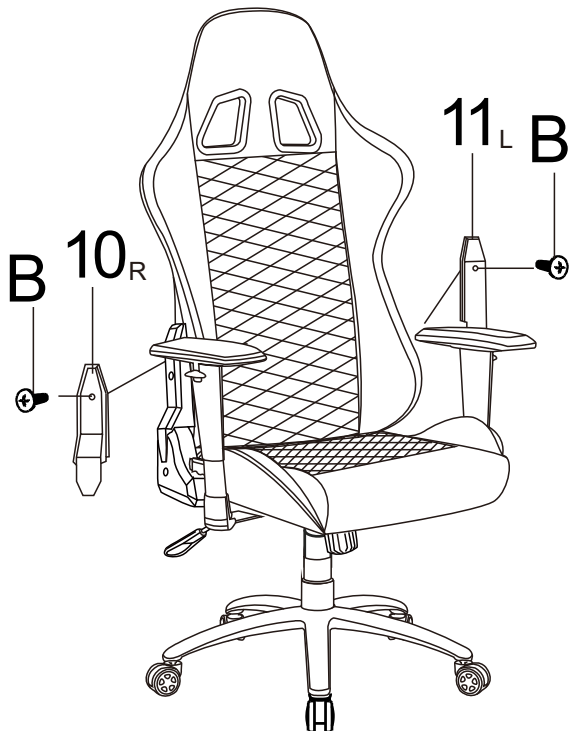
STEP 3 / ÉTAPE 3



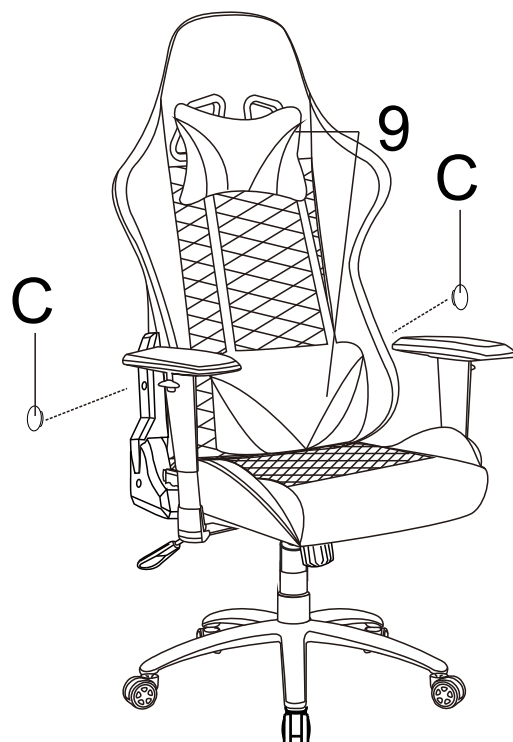
STEP 4 / ÉTAPE 4



STEP 5 / ÉTAPE 5



COMPLETE / ASSEMBLAGE TERMINÉ



RF Wireless Remote

Advanced

RGB LED Controller

Instructions

- 22 Dynamic Modes
- 20 Static Colors
- Very Smooth Effects
- Speed Adjustable
- Brightness Adjustable
- Card Type RF Remote
- Ultra Slim Design
- Dynamic Demo Mode
- Easy Remote Pairing
- Direct Color Select

1. Turn On/Standby

Press this key to turn on unit or switch to standby mode. At power on, unit will automatically turn on and restore to previous status.

2/9. Dynamic Mode Adjust

Switch to dynamic mode from static color, or switch between dynamic modes.

3/10. Dynamic Speed Adjust

Adjust dynamic playing speed. Press SPEED+ to increase speed and press SPEED- to decrease. Unit will switch to dynamic mode if press this key at static color mode.

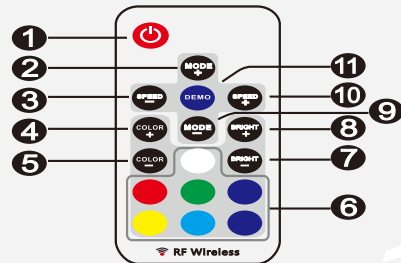
4/5. Static Color Adjust

Switch to static color mode from dynamic mode, or switch between static colors.

6. Direct Color Select

Shortcut key to static colors. When press the specific color key, LED will play the same static color. The direct colors are included in 'COLOR+' and 'COLOR-' operation.

Functions



7/8. Brightness Adjust

Adjust static color brightness. Press BRIGHT+ to increase brightness and press BRIGHT- to decrease. Unit will switch to static color mode if press this key at dynamic mode.

11. Demo Mode

Press this key will switch to Demo mode. At demo mode, it plays 17 dynamic modes in loop, each mode repeat 3 times.

Installing

1. Power Supply

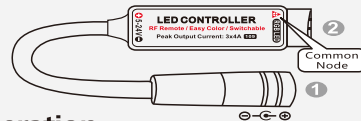
This unit accepts DC 5V to 24V power supply. The DC jack's inner pole (or red cable) is positive and sleeve (or black cable) is negative. Also please make sure the power supply voltage is same as the LED load.

2. LED Output

This unit support common anode connection LED products. The mark 'A' indicates the common connection node.

The peak output current is 4 amperes and maximum constant current is 2 amperes per channel. Please reduce load if main unit is overheating.

CAUTION! Do not short circuit or overload the LED outputs, this may lead to permanent damage!



Operation

1. Using Remote Controller

Please pull out the battery insulate tape before using. The RF wireless remote signal can pass through barrier, so it's not necessary to aim at the main unit when operate.

2). Press 'ON/OFF' and 'MODE+' key together in 5 seconds after power on.

After this operation, the main unit will recognize any remote controller. To pair the main unit back to specific remote, please repeat the 'Pairing New Remote' operation.

4. Switch Output Color Sequence

The controller's default output signal sequence is Common-Green-Red-Blue. If the LED application is in different cable sequence, the direct color keys will not match the LED color. In this case, user can adjust the output signal sequence with following steps:

1). Plug off the power of main unit and plug in after 5 seconds.
2). Press 'RED' and 'BLUE' color key together in 5 seconds after power on.

With this operation, the output sequence will switch between 6 possible combinations. The sequence will be memorized and it won't change before next same operation.

For proper receiving remote signal, please do not install the main unit in closed metal parts.

2. Pairing New Remote

The remote and main unit is 1 to 1 paired as default. Further more, main unit can be paired to 3 remote controllers and each remote controller can be paired to any main unit. Please do following steps to pair new remote controller:

1). Plug off the power of main unit and plug in after 5 seconds.
2). Press 'SPEED-' and 'SPEED+' key together in 5 seconds after power on.

After this operation, the main unit will recognize the new remote controller.

3. Free Remote Pairing Mode

In some specific cases; the main unit may need to be paired to any remote controllers. Please do following steps for free remote pairing mode:

1). Plug off the power of main unit and plug in after 5 seconds.

Specification

Dynamic mode	22 modes
Static Color	20 colors
PWM Grade	256 levels
Brightness Grade	5 levels
Speed Grade	10 levels
Demo mode	Yes
Direct Color Select	Yes
Output Color Switchable	Yes, 6 options
Working Voltage	DC 5~24V
Output Current	3x4A peak, 3x2A constant
Remote frequency	433.92MHz
Remote distance	>15m at open area