

## CONTACT US FIRST BEFORE MAKING ANY RETURNS TO THE RETAILER.

How can we help you? To reach our customer service, visit [sauder.com/commercial-office/service](https://www.sauder.com/commercial-office/service) to chat with a live rep or email us.

Prefer the phone? Give us a ring at 877-996-7539.

Our award-winning team is available Monday-Friday - 8:30 a.m. to 5 p.m. EST (except holidays).



### AFFIRM COLLECTION

# 3-Drawer Mobile Pedestal

Noble Elm finish | **Model 427876**

Sauder.com

Share your journey!



**NOTE:** THIS INSTRUCTION BOOKLET CONTAINS **IMPORTANT** SAFETY INFORMATION.

PLEASE READ AND KEEP FOR FUTURE REFERENCE.

English pg 1-28  
Français pg 29-32  
Español pg 33-36

Lot # **572778**  
Purchased: \_\_\_\_\_

10/13/21

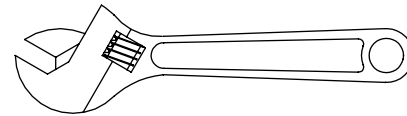
|                         |       |
|-------------------------|-------|
| Part Identification     | 3     |
| Hardware Identification | 4-5   |
| Hardware Usage Guide    | 7     |
| Assembly Steps          | 6-28  |
| Français                | 29-32 |
| Español                 | 33-36 |
| Safety                  | 37-38 |
| Warranty                | 39    |



No. 2 Phillips Screwdriver  
Tip Shown Actual Size



Hammer  
Not actual size 😊

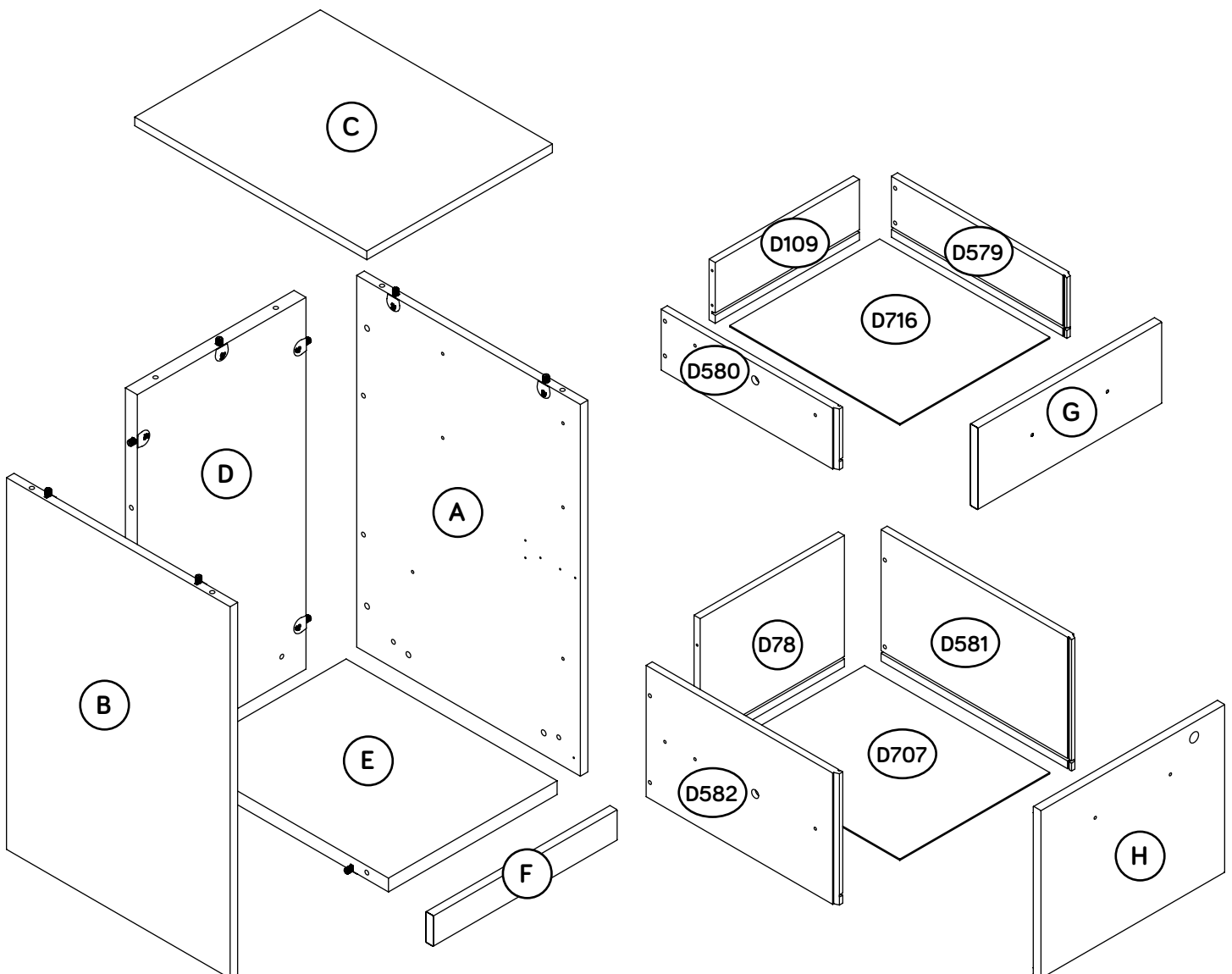


Adjustable Wrench



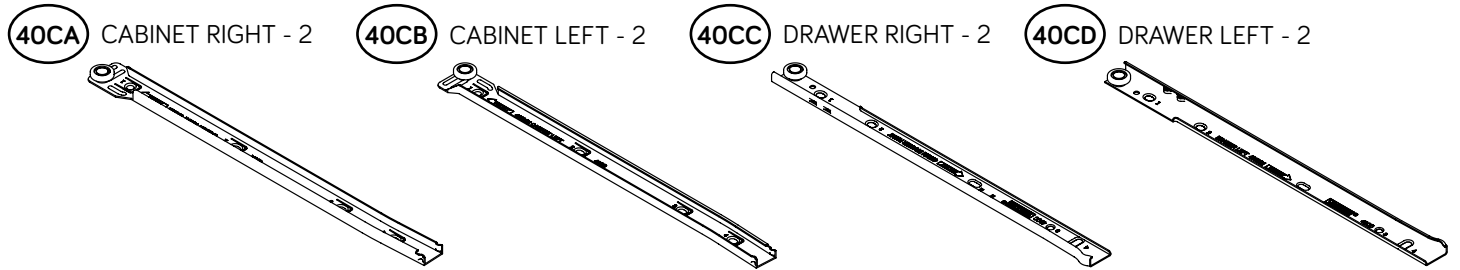
† While not all parts are labeled, some of the parts will have a label or an inked letter on the edge to help distinguish similar parts from each other. Use this part identification to help identify similar parts.

|      |                       |      |                             |   |                          |
|------|-----------------------|------|-----------------------------|---|--------------------------|
| A    | RIGHT END (1)         | D579 | RIGHT DRAWER SIDE (2)       | E | BOTTOM (1)               |
| B    | LEFT END (1)          | D580 | LEFT DRAWER SIDE (2)        | F | BASE (1)                 |
| C    | TOP (1)               | D581 | LARGE RIGHT DRAWER SIDE (1) | G | DRAWER FRONT (2)         |
| D    | BACK (1)              | D582 | LARGE LEFT DRAWER SIDE (1)  | H | LOCKING DRAWER FRONT (1) |
| D78  | LARGE DRAWER BACK (1) | D707 | LARGE DRAWER BOTTOM (1)     |   |                          |
| D109 | DRAWER BACK (2)       | D716 | DRAWER BOTTOM (2)           |   |                          |

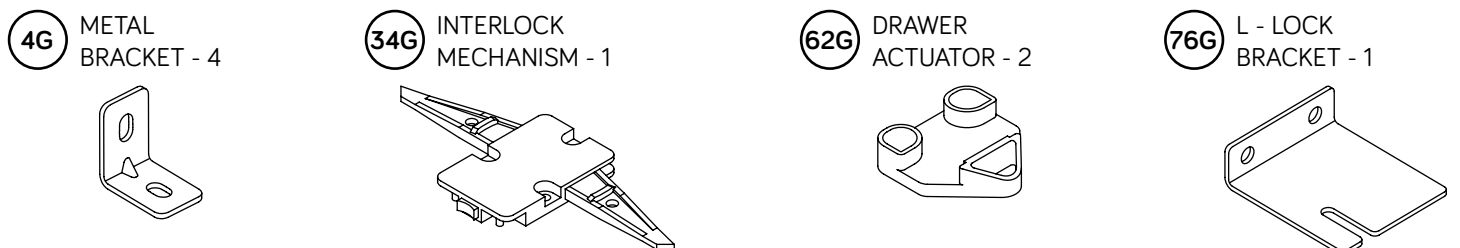
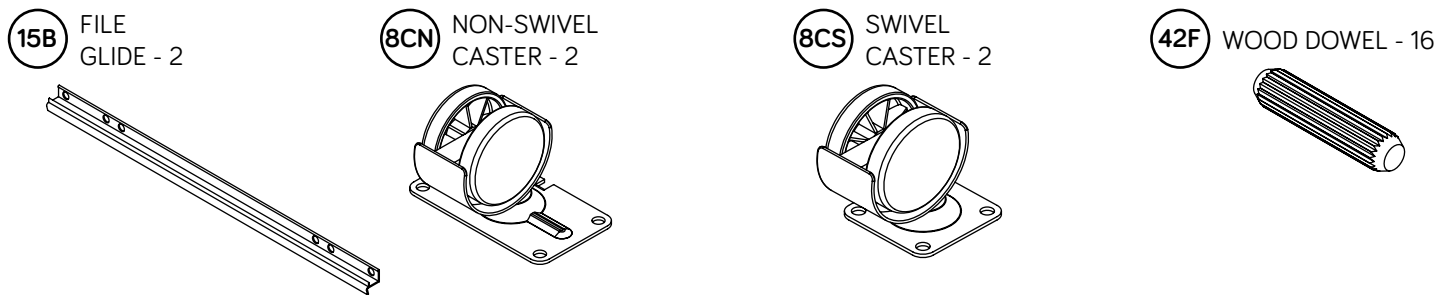
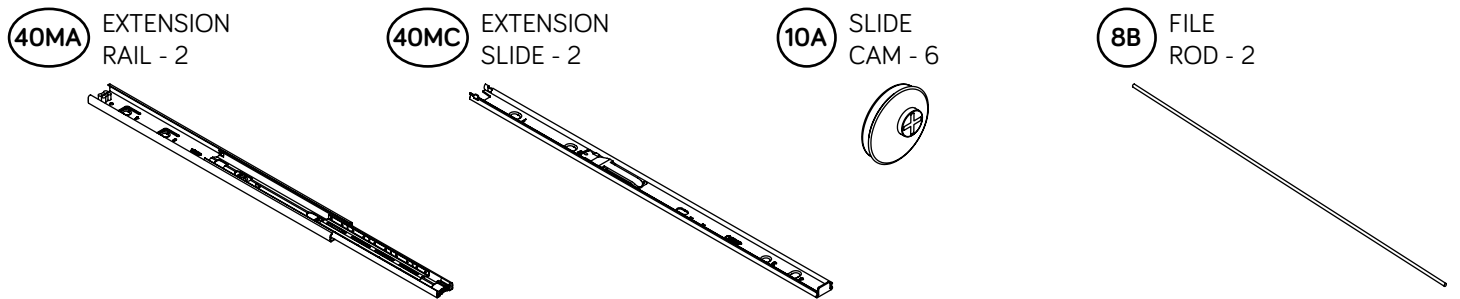


# Hardware Identification

† Screws are shown actual size. You may receive extra hardware with your unit.



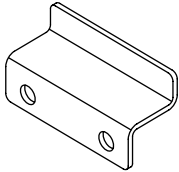
(EXTENSION SET SHOWN SEPARATED)



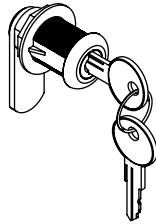
# Hardware Identification

† Screws are shown actual size. You may receive extra hardware with your unit.

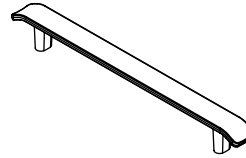
**77G** Z - LOCK BRACKET - 1



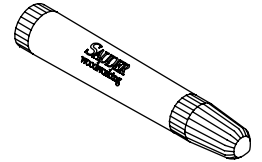
**22J** LOCK PACK - 1



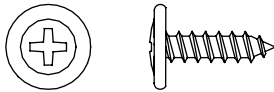
**195K** PULL - 3



**10M** TOUCH-UP PEN - 1



**1S** BLACK 9/16" LARGE HEAD SCREW - 28



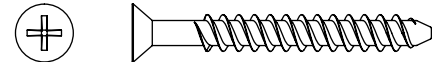
**3S** GOLD 5/16" FLAT HEAD SCREW - 24



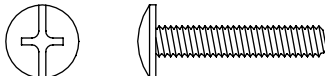
**11S** BLACK 1/2" FLAT HEAD SCREW - 6



**30S** BLACK 1-9/16" FLAT HEAD SCREW - 12



**37S** BLACK 7/8" MACHINE SCREW - 6



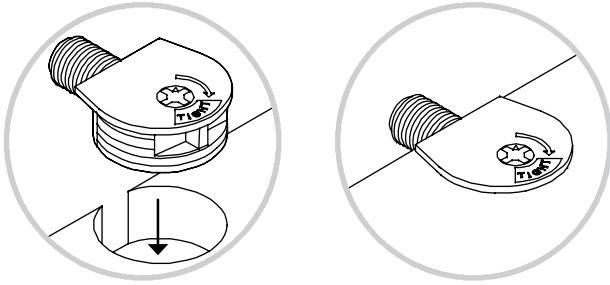
**51S** BLACK 9/16" PAN HEAD SCREW - 3



# Hardware Usage Guide

## HOW TO USE A TWIST-LOCK® FASTENER

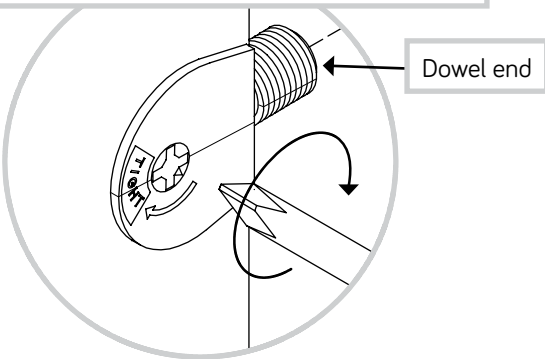
1. Push a TWIST-LOCK® FASTENER into the large hole in the part.



2. 1. Insert the dowel end of the FASTENER into the hole of the adjoining part.

NOTE: The dowel end of the FASTENER must remain fully inserted in the hole of the adjoining part while locking the FASTENER.

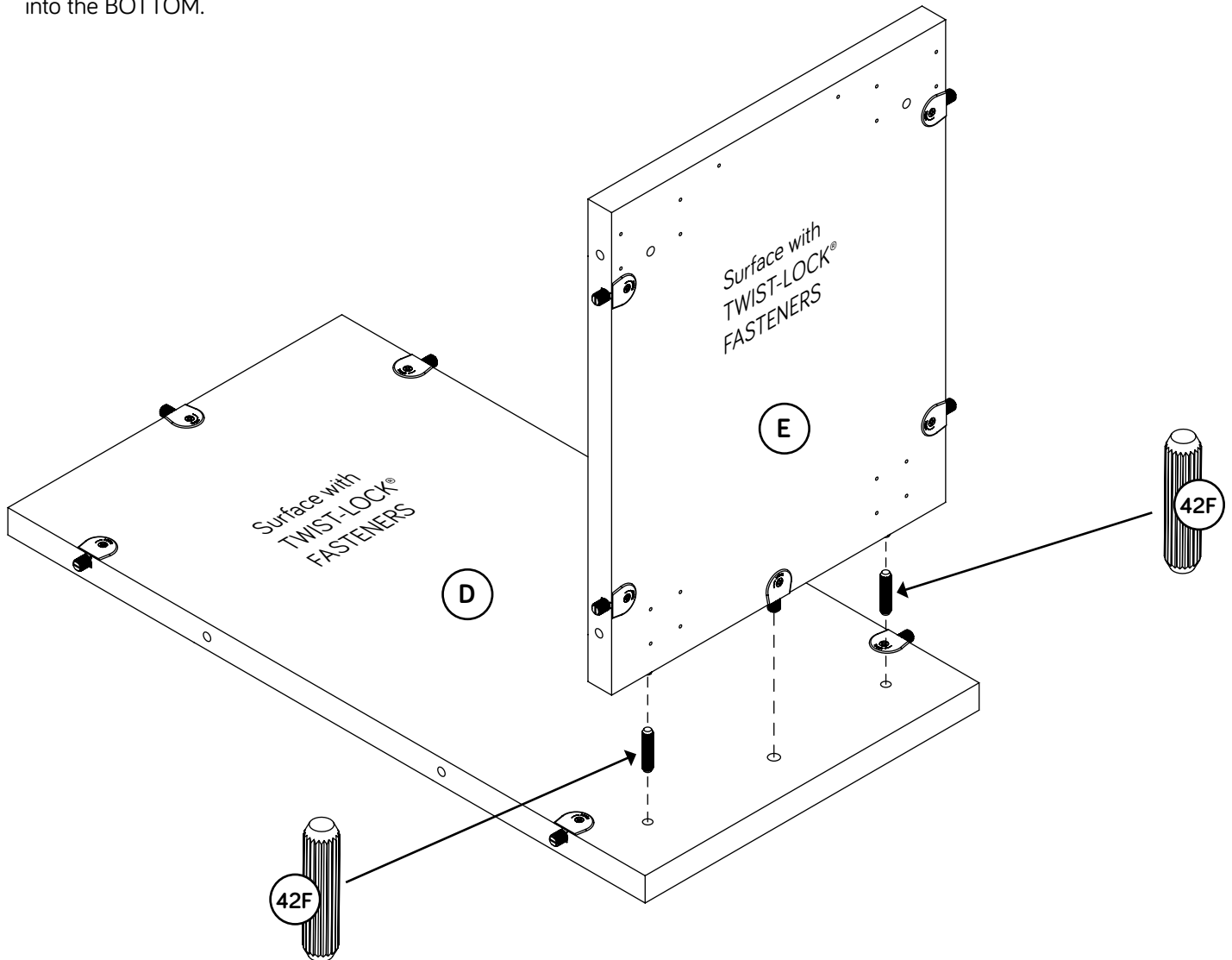
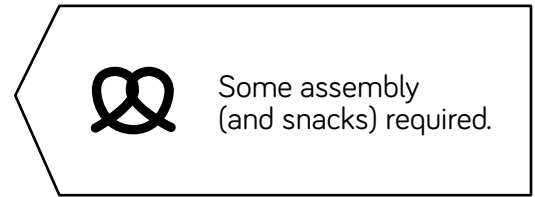
2. Tighten the FASTENER with a Phillips screwdriver as tight as possible.



# Step 1



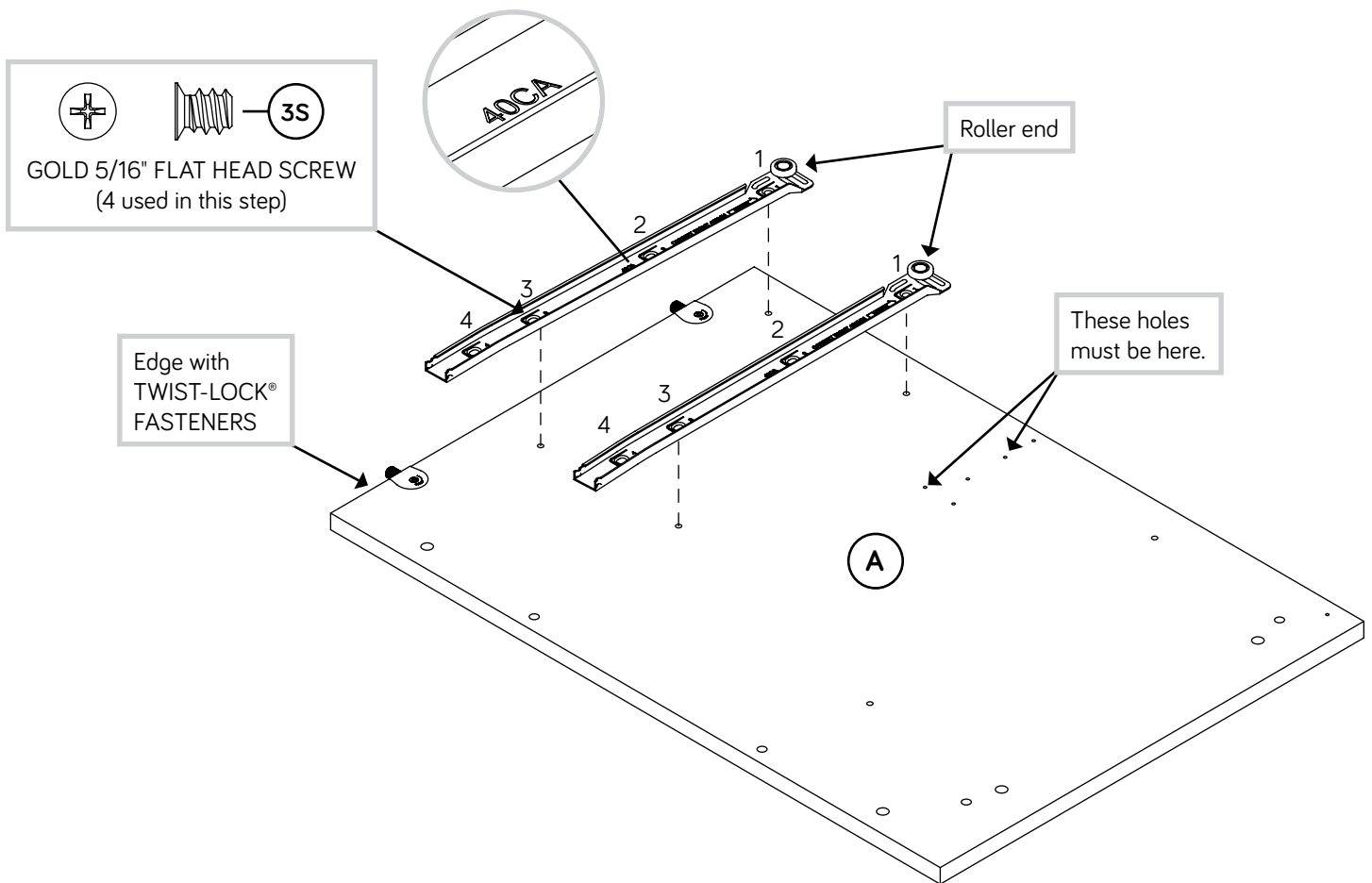
- ✚ Assemble your unit on a carpeted floor or on the empty carton to avoid scratching your unit or the floor.
- ✚ Insert two WOOD DOWELS (42F) into the BACK (D).
- ✚ NOTE: You may need to gently tap the WOOD DOWEL in with your hammer.
- ✚ Fasten the BOTTOM (E) to the BACK (D). Tighten one TWIST-LOCK® FASTENER.
- ✚ NOTE: Be sure the WOOD DOWELS in the BACK insert into the BOTTOM.



# Step 2



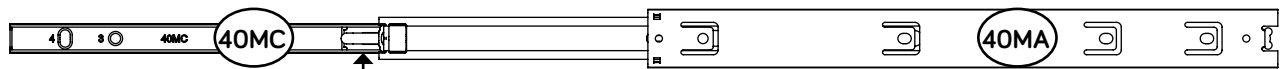
- Fasten two CABINET RIGHTS (40CA) to the RIGHT END (A). Use four GOLD 5/16" FLAT HEAD SCREWS (3S) through holes #1 and #3.



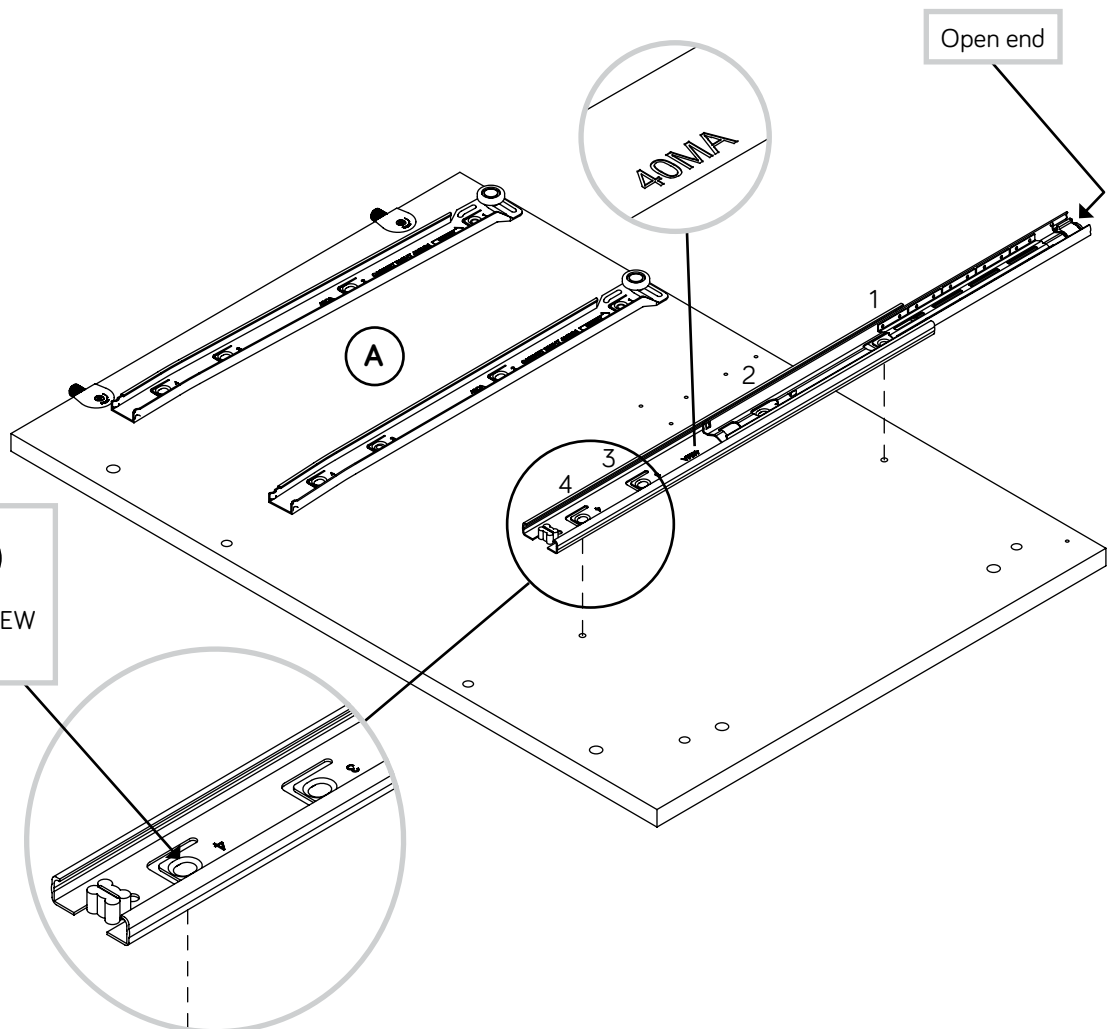
# Step 3



- ✦ Separate the EXTENSION SLIDES (40MC) from the EXTENSION RAILS (40MA) as shown in the upper diagram below. Be prepared, the parts are greasy.
- ✦ Fasten one EXTENSION RAIL (40MA) to the RIGHT END (A). Use two GOLD 5/16" FLAT HEAD SCREWS (3S) through holes #1 and #4.
- ✦ NOTE: For each EXTENSION RAIL, turn a SCREW into the hole shown in the enlarged diagram. Then, slide the inner cartridge of the EXTENSION RAIL in to find the other hole that lines up with the hole in the END. Turn a SCREW into this hole.
- ✦ NOTE: The EXTENSION SLIDES will be used later for the LARGE DRAWER.



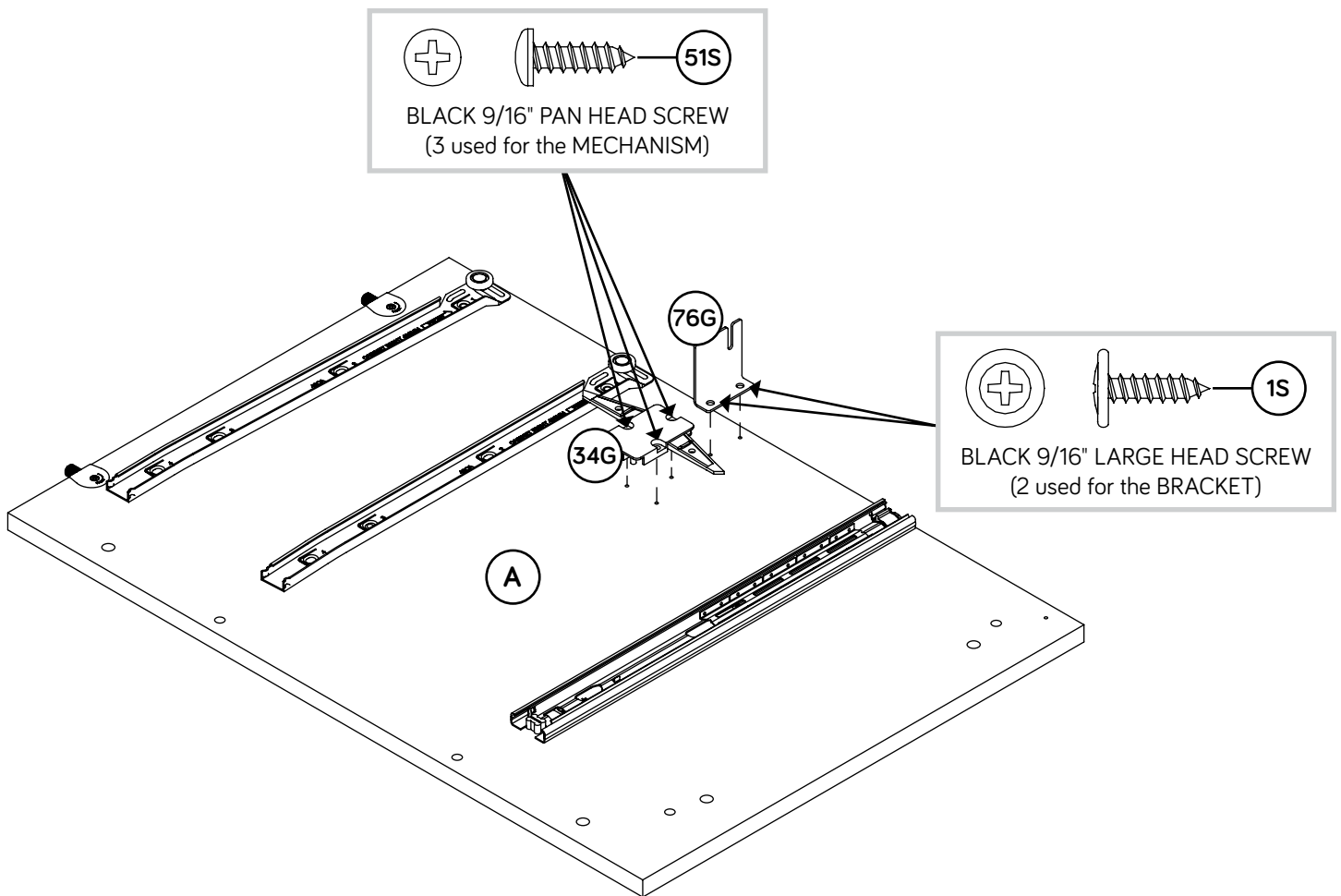
Push the black lever in and pull the SLIDE from the RAIL.



GOLD 5/16" FLAT HEAD SCREW  
(2 used in this step)

# Step 4

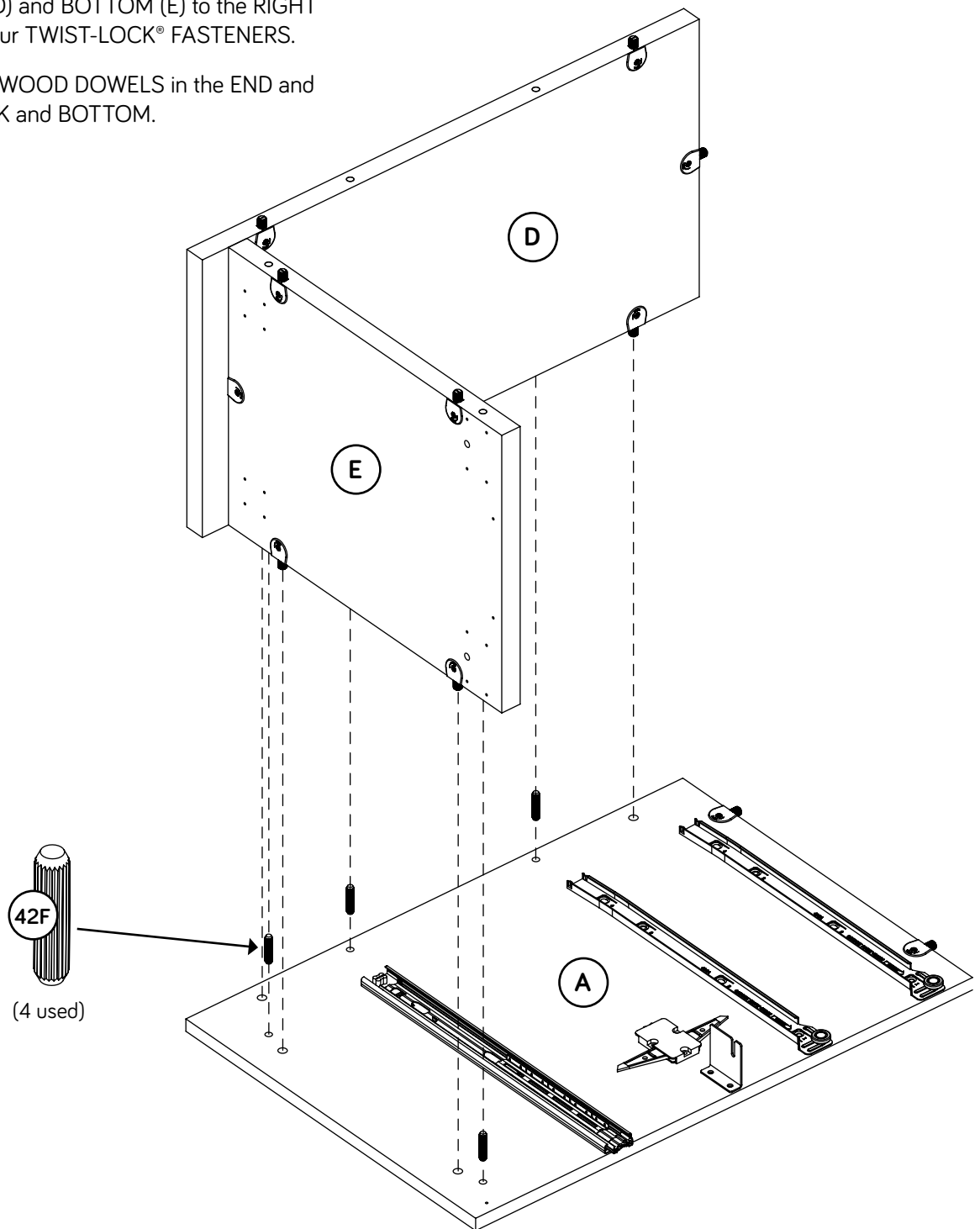
- Fasten the INTERLOCK MECHANISM (34G) to the RIGHT END (A). Use three BLACK 9/16" PAN HEAD SCREWS (51S).
- Fasten the L-LOCK BRACKET (76G) to the RIGHT END (A) exactly as shown. Use two BLACK 9/16" LARGE HEAD SCREWS (1S).



# Step 5



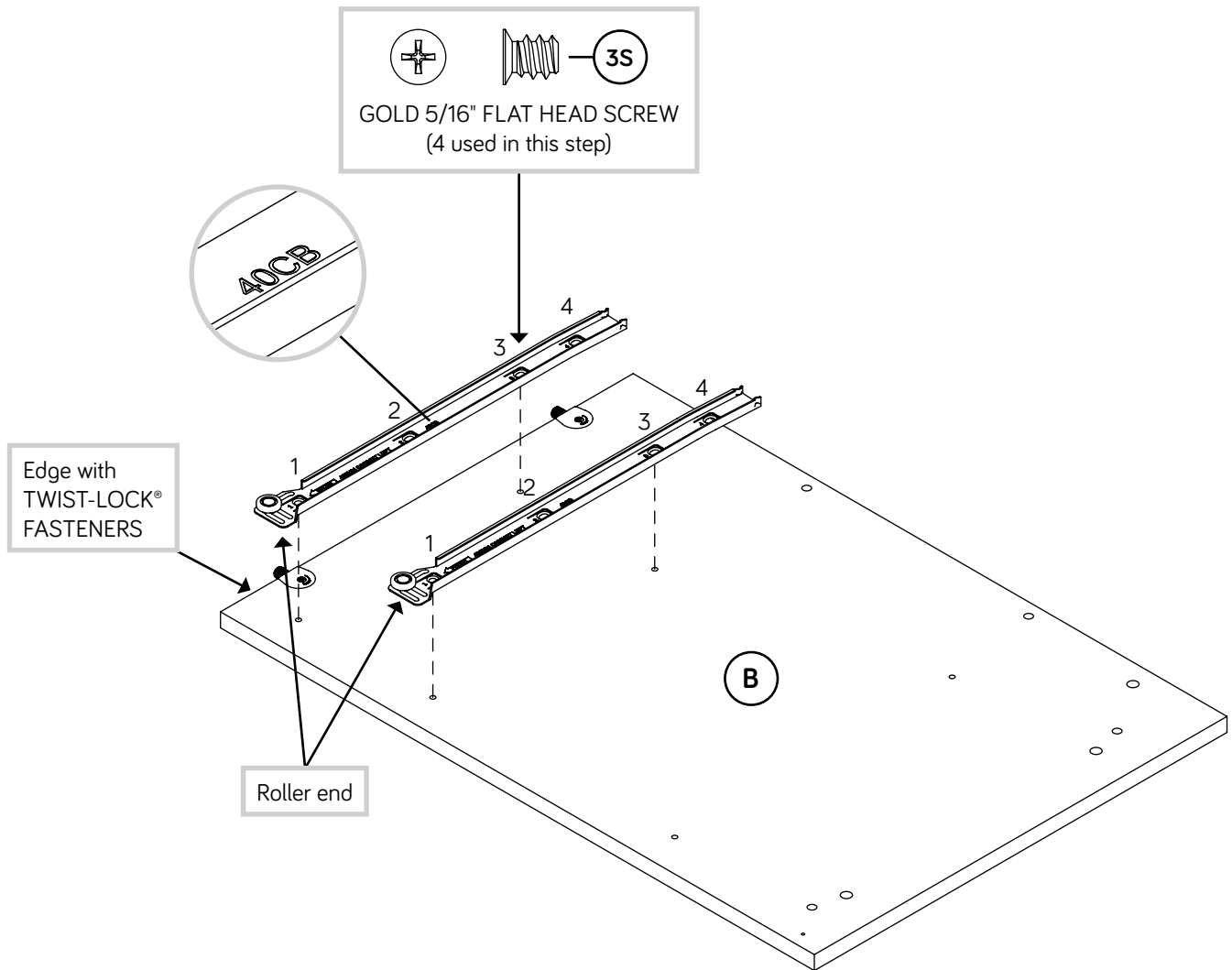
- ✚ Insert four WOOD DOWELS (42F) into the RIGHT END (A).
- ✚ NOTE: You may need to gently tap the WOOD DOWEL in with your hammer.
- ✚ Fasten the BACK (D) and BOTTOM (E) to the RIGHT END (A). Tighten four TWIST-LOCK® FASTENERS.
- ✚ NOTE: Be sure the WOOD DOWELS in the END and insert into the BACK and BOTTOM.



# Step 6



- Fasten two CABINET LEFTS (40CB) to the LEFT END (B). Use four GOLD 5/16" FLAT HEAD SCREWS (3S) through holes #1 and #3.

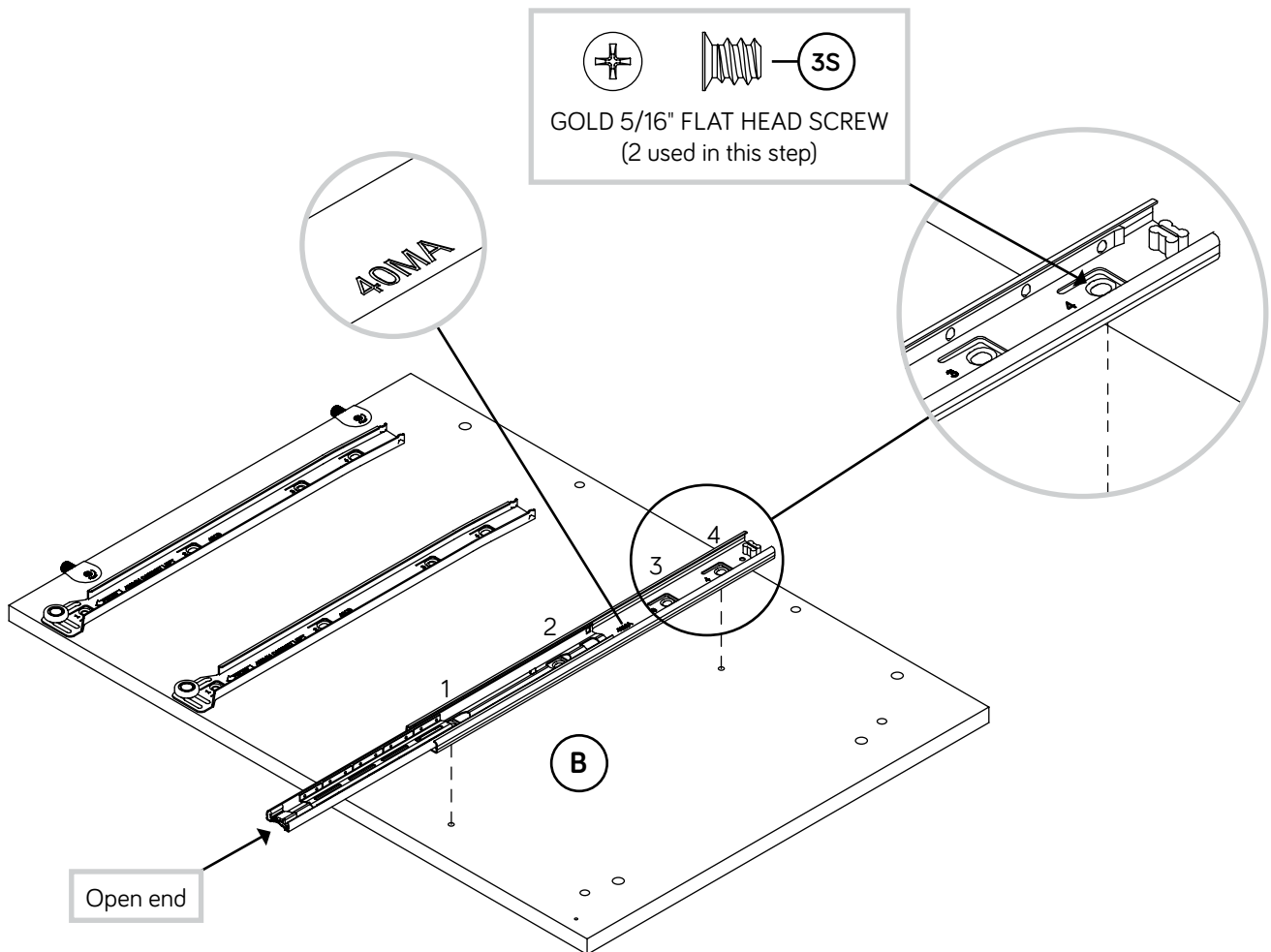


# Step 7



Fasten the remaining EXTENSION RAIL (40MA) to the LEFT END (B). Use two GOLD 5/16" FLAT HEAD SCREWS (3S) through holes #1 and #4.

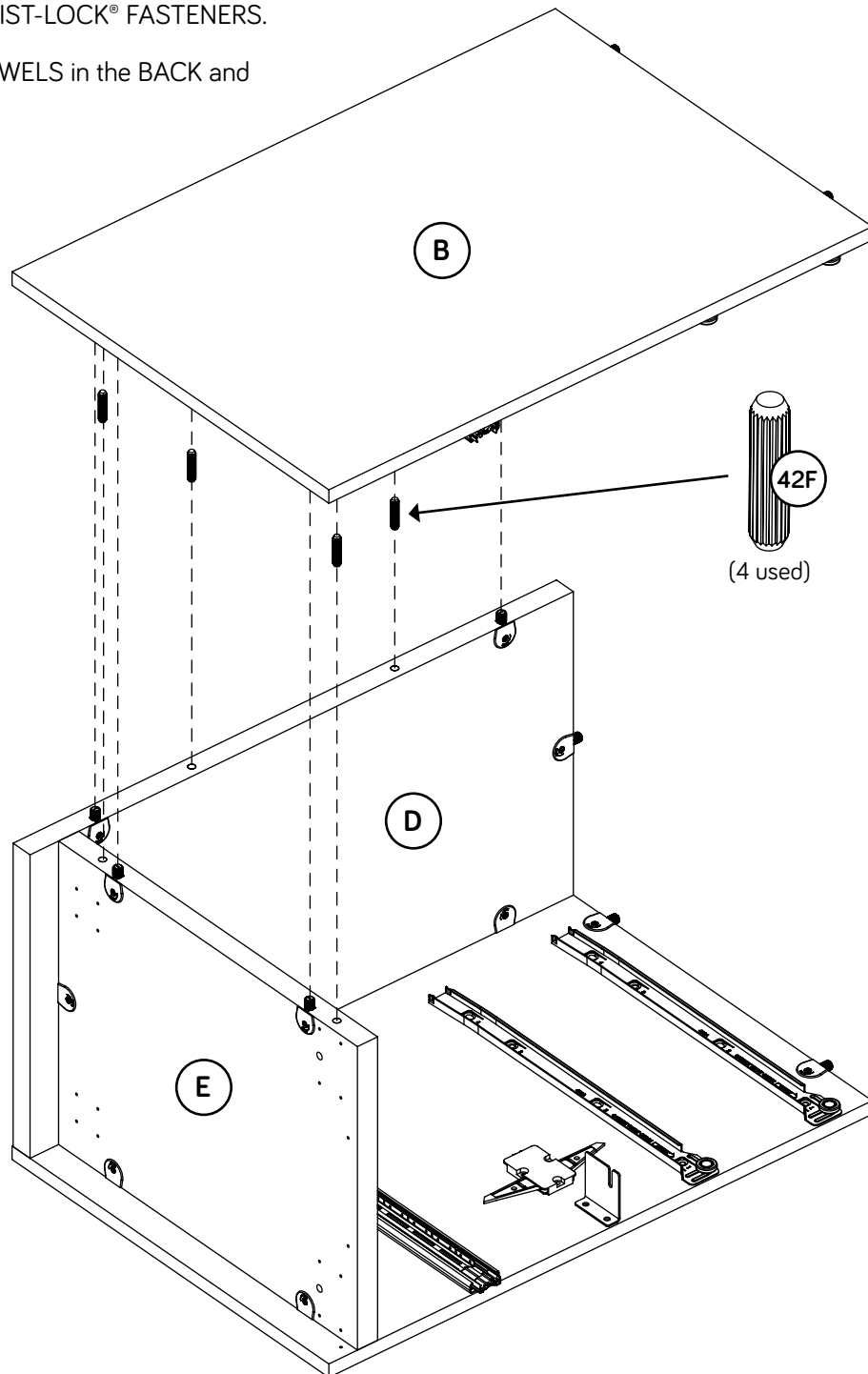
**NOTE:** For each EXTENSION RAIL, turn a SCREW into the hole shown in the enlarged diagram. Then, slide the inner cartridge of the EXTENSION RAIL in to find the other hole that lines up with the hole in the END. Turn a SCREW into this hole.



# Step 8



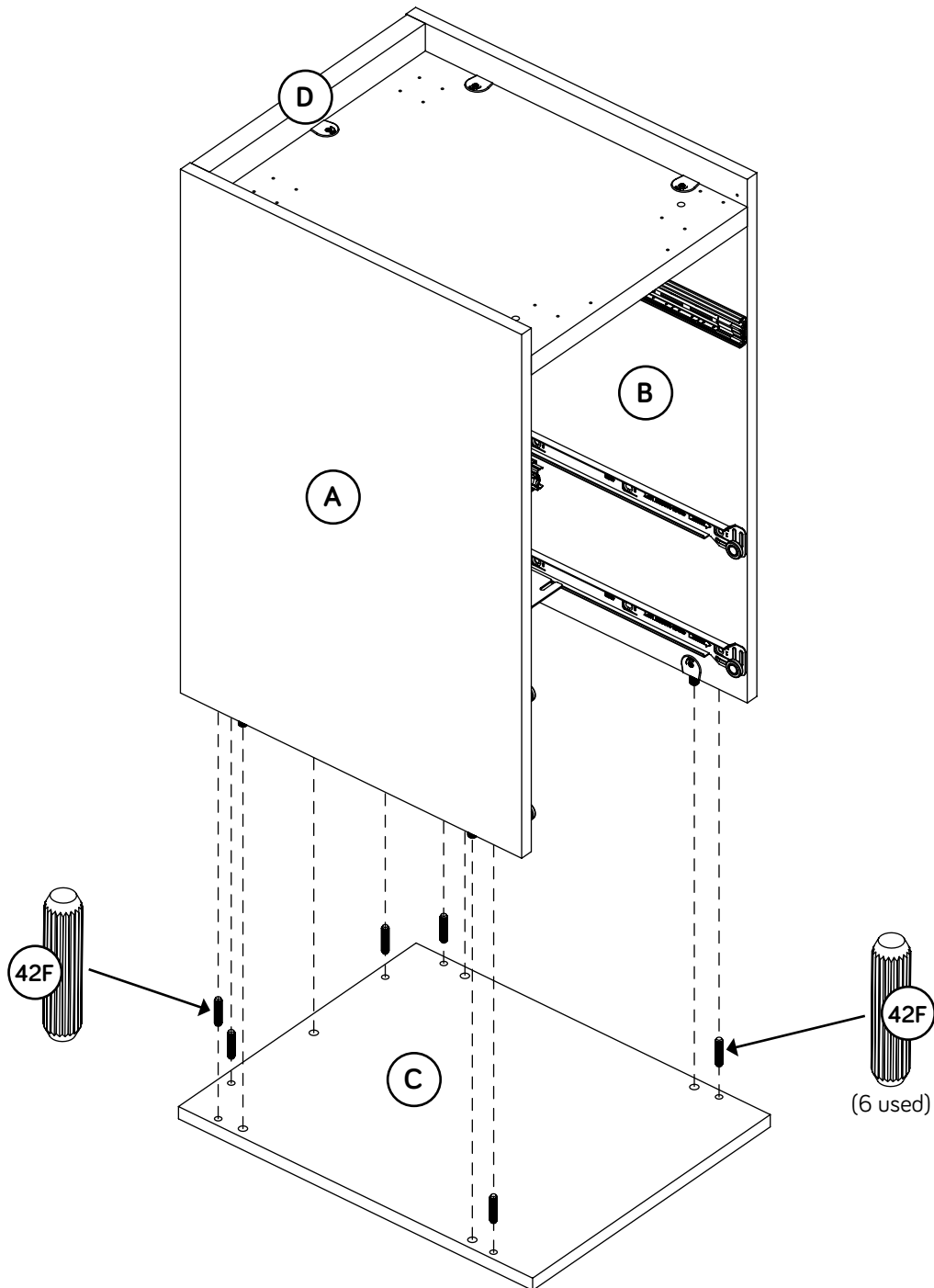
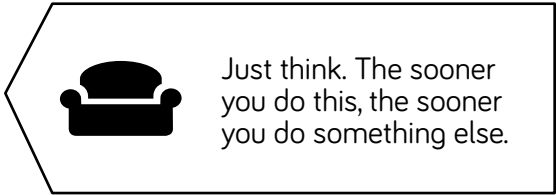
- ✚ Insert four WOOD DOWELS (42F) into the LEFT END (B).
- ✚ NOTE: You may need to gently tap the WOOD DOWEL in with your hammer.
- ✚ Fasten the LEFT END (B) to the BACK (D) and BOTTOM (E). Tighten four TWIST-LOCK® FASTENERS.
- ✚ NOTE: Be sure the WOOD DOWELS in the BACK and BOTTOM insert into the END.



# Step 9



- ✚ Insert six WOOD DOWELS (42F) into the TOP (C).
- ✚ NOTE: You may need to gently tap the WOOD DOWEL in with your hammer.
- ✚ Fasten the ENDS (A and B) and BACK (D) to the ENDS (A and B). Tighten five TWIST-LOCK® FASTENERS.
- ✚ NOTE: Be sure the WOOD DOWELS in the TOP insert into the ENDS and BACK.

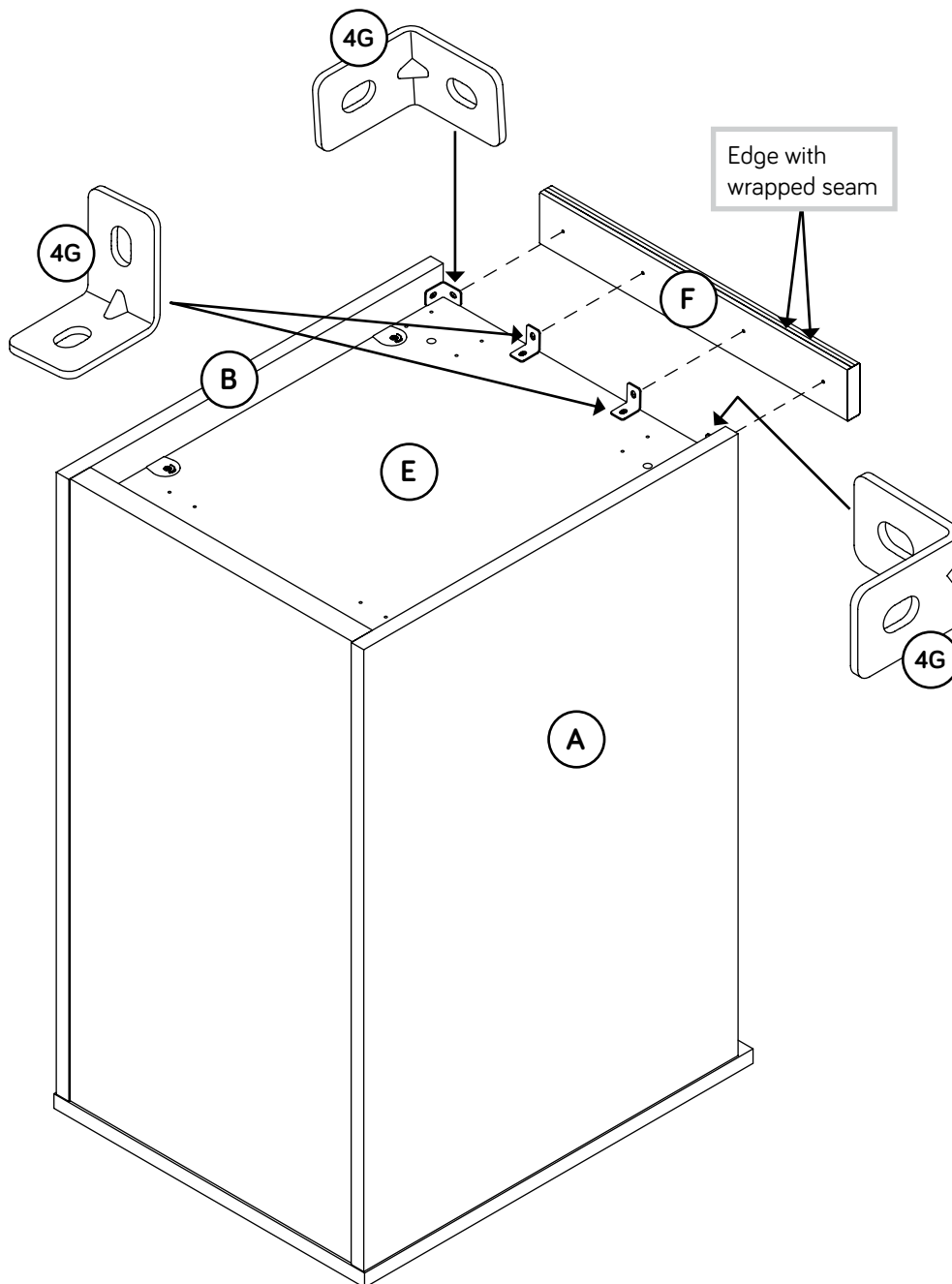
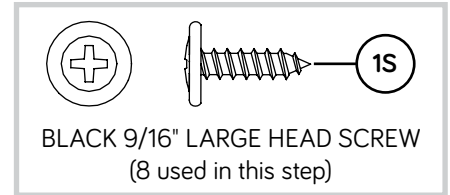


# Step 10

Fasten four METAL BRACKETS (4G) to the ENDS (A and B) and BOTTOM (E). Use four BLACK 9/16" LARGE HEAD SCREWS (1S).

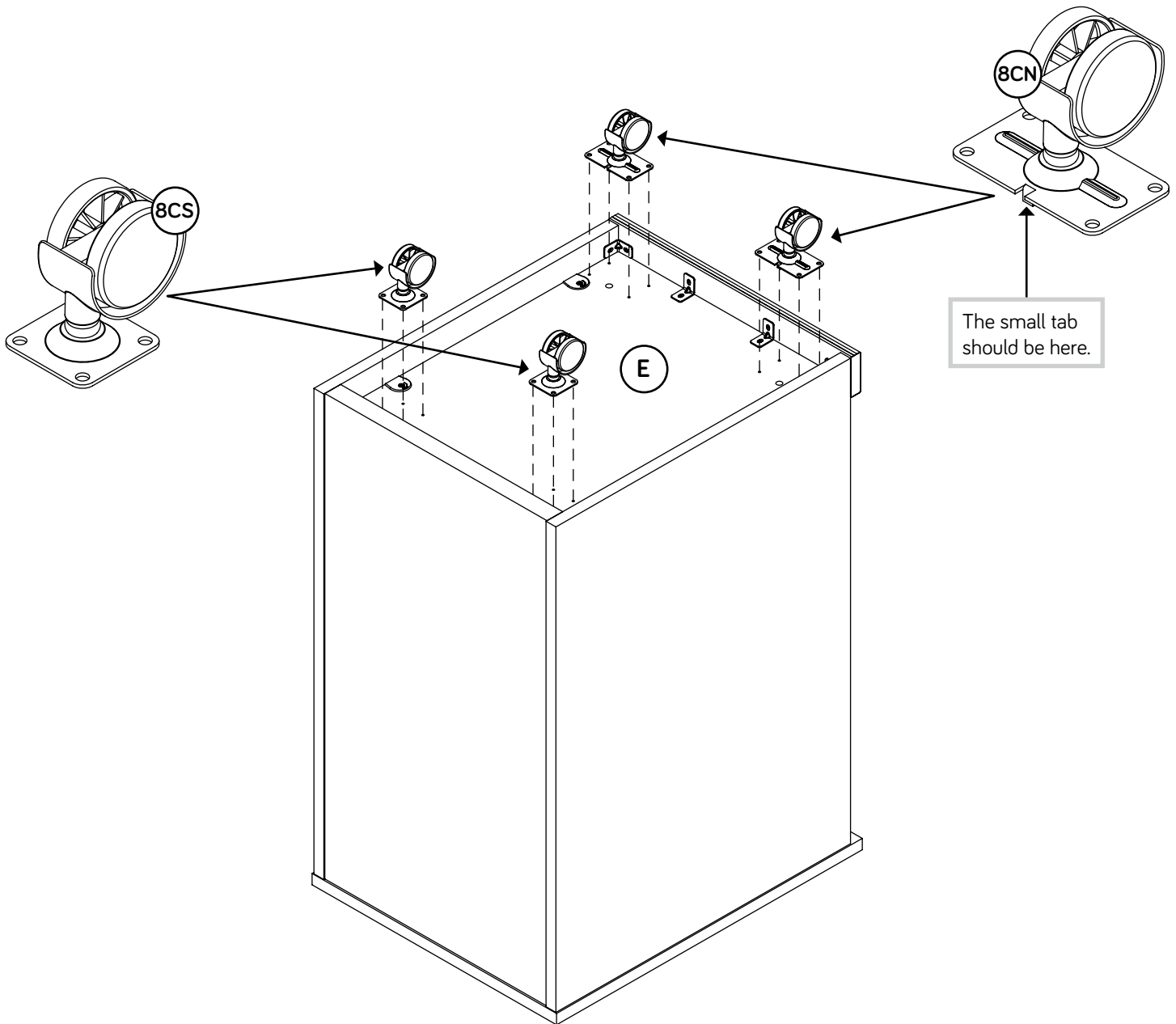
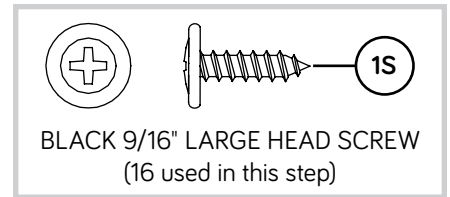
**NOTE:** Be sure the BRACKETS are even with the edges of the ENDS and BOTTOM.

Fasten the BASE (F) to the METAL BRACKETS on the ENDS and BOTTOM. Use four BLACK 9/16" LARGE HEAD SCREWS (1S).

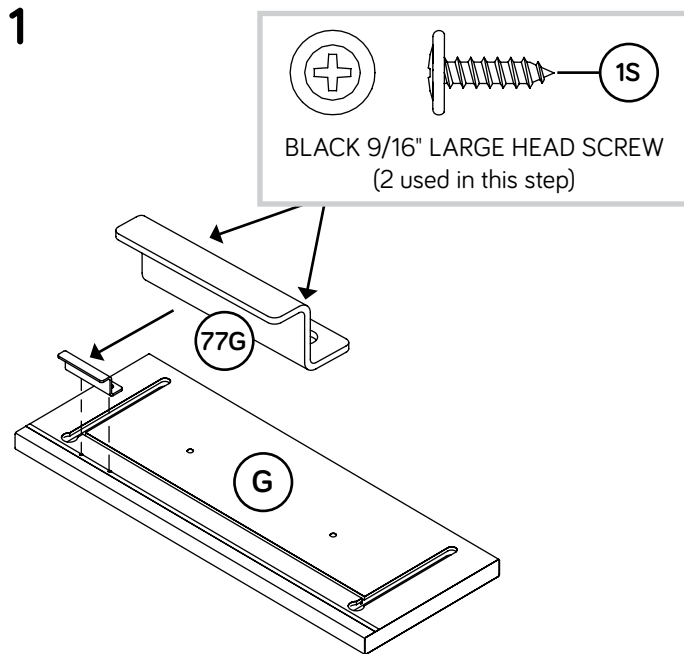


# Step 11

Fasten the CASTERS (8CN and 8CS) to the BOTTOM (E) exactly as shown. Use sixteen BLACK 9/16" LARGE HEAD SCREWS (1S).

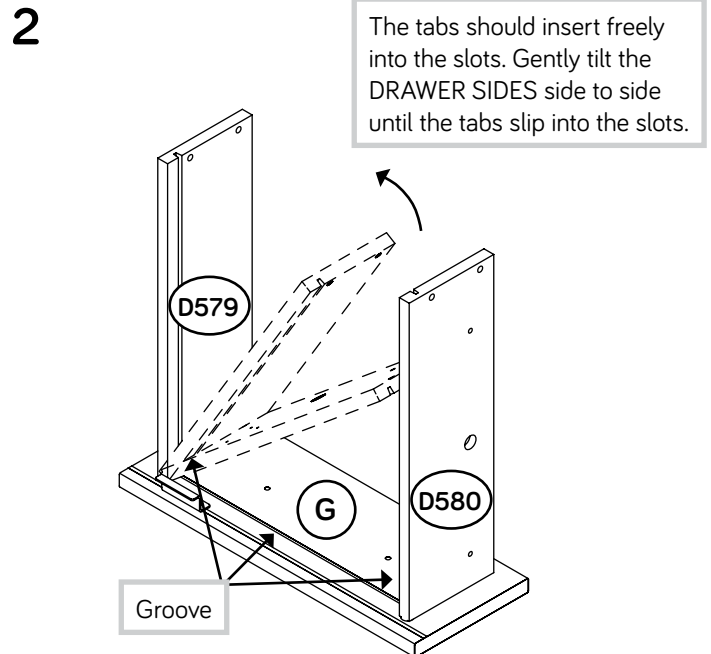


# Step 12



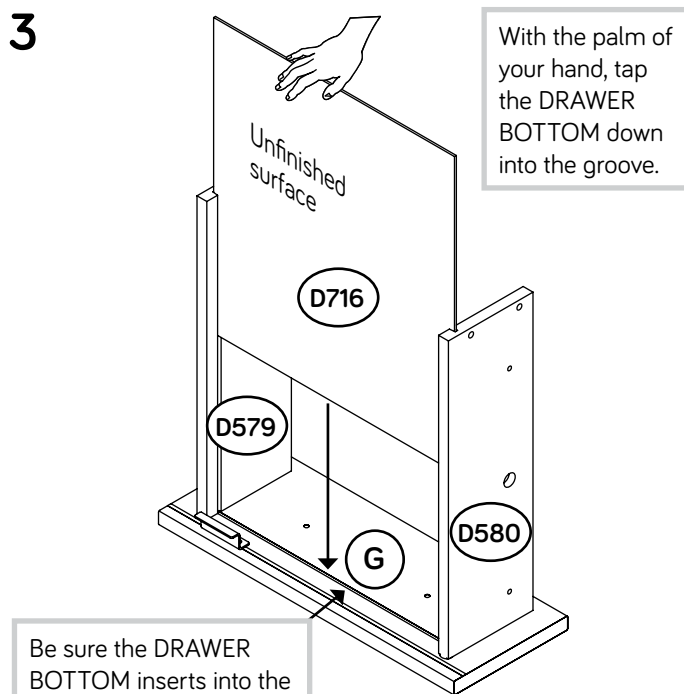
**1S**  
**BLACK 9/16" LARGE HEAD SCREW**  
 (2 used in this step)

⚡ Fasten the Z-LOCK BRACKET (77G) to one of the DRAWER FRONTS (G). Use two BLACK 9/16" LARGE HEAD SCREWS (1S).



The tabs should insert freely into the slots. Gently tilt the DRAWER SIDES side to side until the tabs slip into the slots.

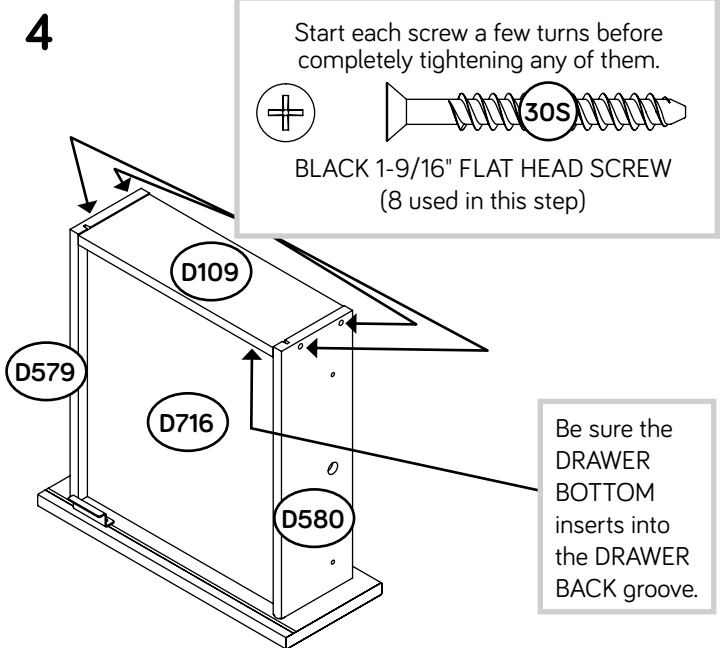
⚡ Insert the DRAWER SIDES (D579 and D580) at an angle into the slot at each end of the DRAWER FRONT (G).



With the palm of your hand, tap the DRAWER BOTTOM down into the groove.

Be sure the DRAWER BOTTOM inserts into the DRAWER FRONT groove.

⚡ Slide the DRAWER BOTTOM (D716) into the grooves in the DRAWER SIDES (D579 and D580) and DRAWER FRONT (G).



Start each screw a few turns before completely tightening any of them.  
**30S**  
**BLACK 1-9/16" FLAT HEAD SCREW**  
 (8 used in this step)

Be sure the DRAWER BOTTOM inserts into the DRAWER BACK groove.

⚡ Fasten the DRAWER BACK (D109) to the DRAWER SIDES (D579 and D580). Use four BLACK 1-9/16" FLAT HEAD SCREWS (30S).

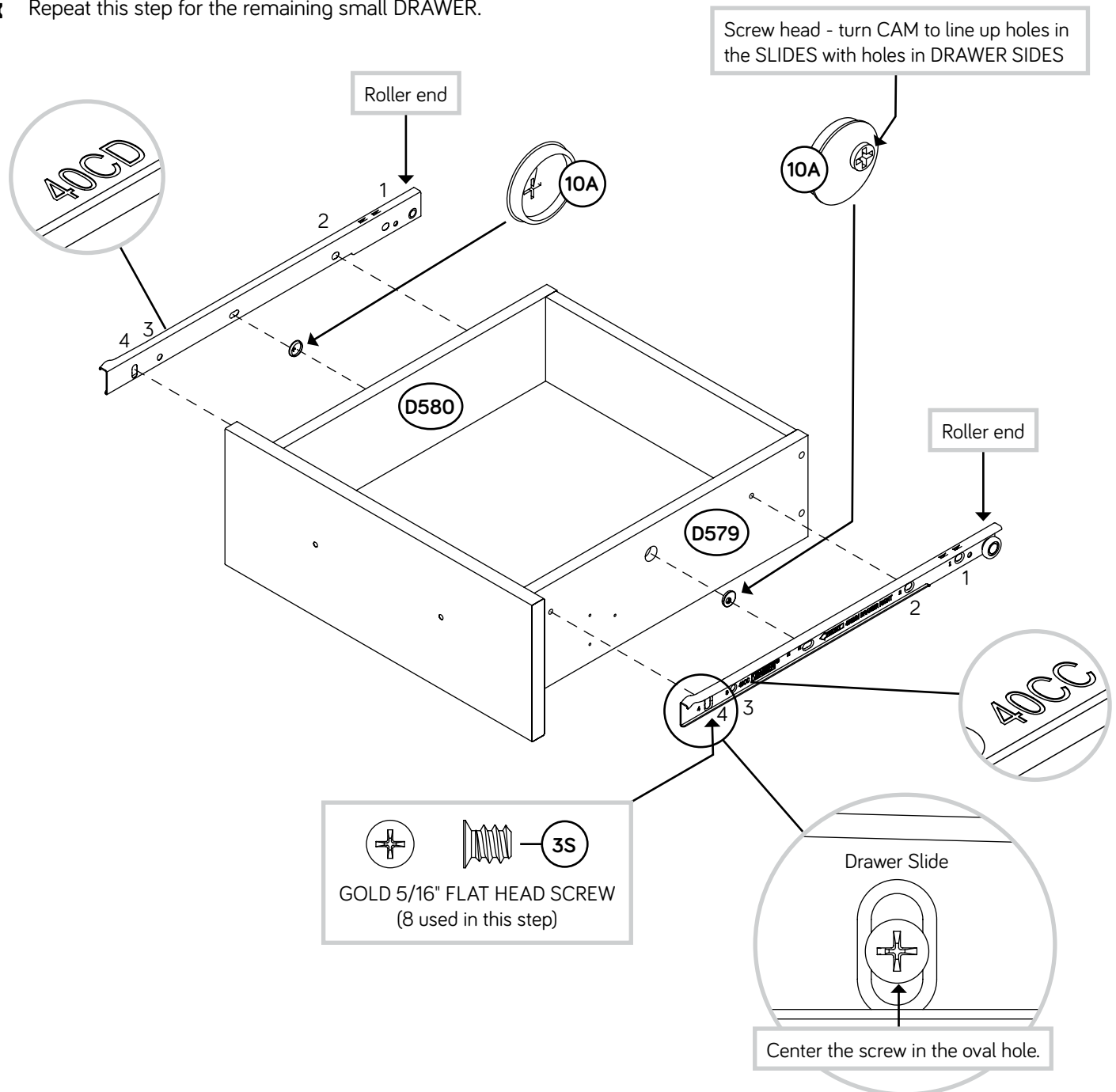
⚡ **NOTE:** Be sure the DRAWER BOTTOM (D716) inserts into the groove of the DRAWER BACK (D109).

⚡ Repeat this step for the remaining small DRAWER.

# Step 13



- ✚ Insert a SLIDE CAM (10A) into each DRAWER SIDE (D579 and D580).
- ✚ Fasten the DRAWER RIGHT (40CC) to the RIGHT DRAWER SIDE (D579) and the DRAWER LEFT (40CD) to the LEFT DRAWER SIDE (D580). Use four GOLD 5/16" FLAT HEAD SCREWS (3S) through holes #2 and #4.
- ✚ **NOTE:** The screw head in the CAM must be visible through the slotted hole in the SLIDE.
- ✚ Repeat this step for the remaining small DRAWER.

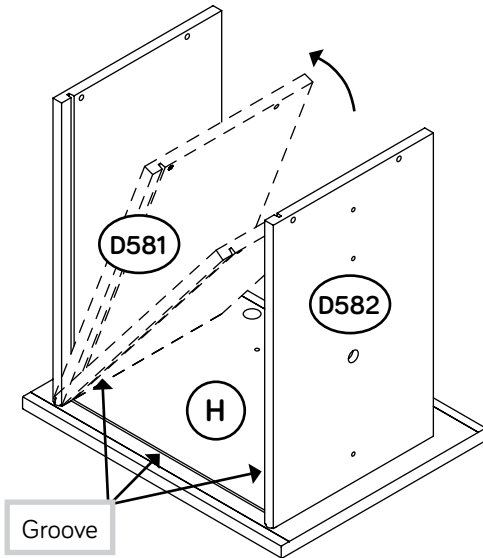


# Step 14



1

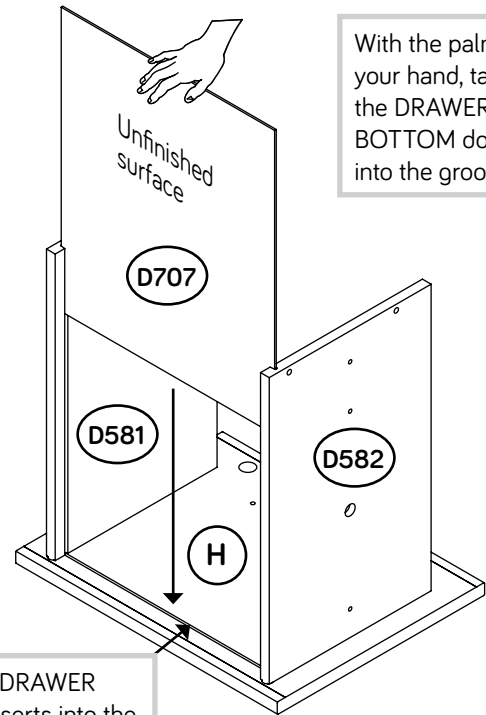
The tabs should insert freely into the slots. Gently tilt the DRAWER SIDES side to side until the tabs slip into the slots.



- Insert the LARGE DRAWER SIDES (D581 and D582) at an angle into the slot at each end of the LOCKING DRAWER FRONT (H).

2

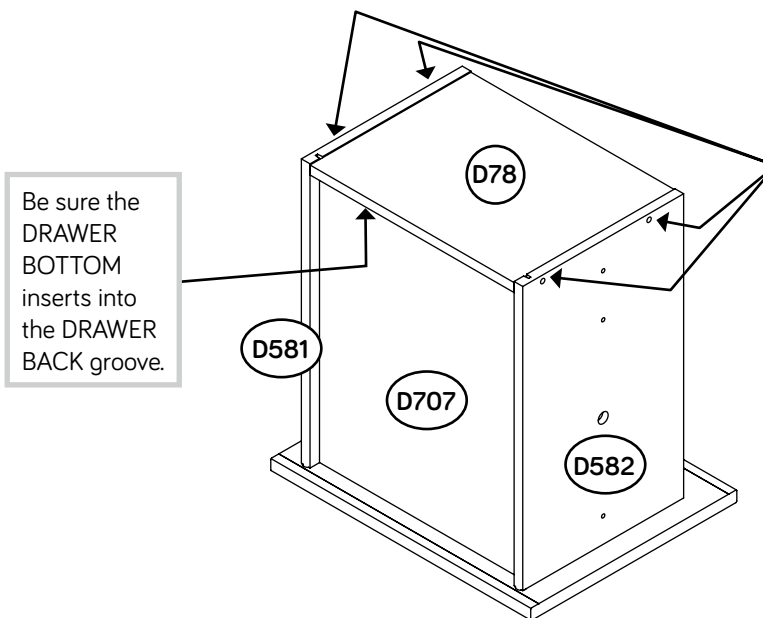
With the palm of your hand, tap the DRAWER BOTTOM down into the groove.



Be sure the DRAWER BOTTOM inserts into the DRAWER FRONT groove.

- Slide the LARGE DRAWER BOTTOM (D707) into the grooves in the LARGE DRAWER SIDES (D581 and D582) and LOCKING DRAWER FRONT (H).

3



Be sure the DRAWER BOTTOM inserts into the DRAWER BACK groove.

Start each screw a few turns before completely tightening any of them.

BLACK 1-9/16" FLAT HEAD SCREW (4 used in this step)

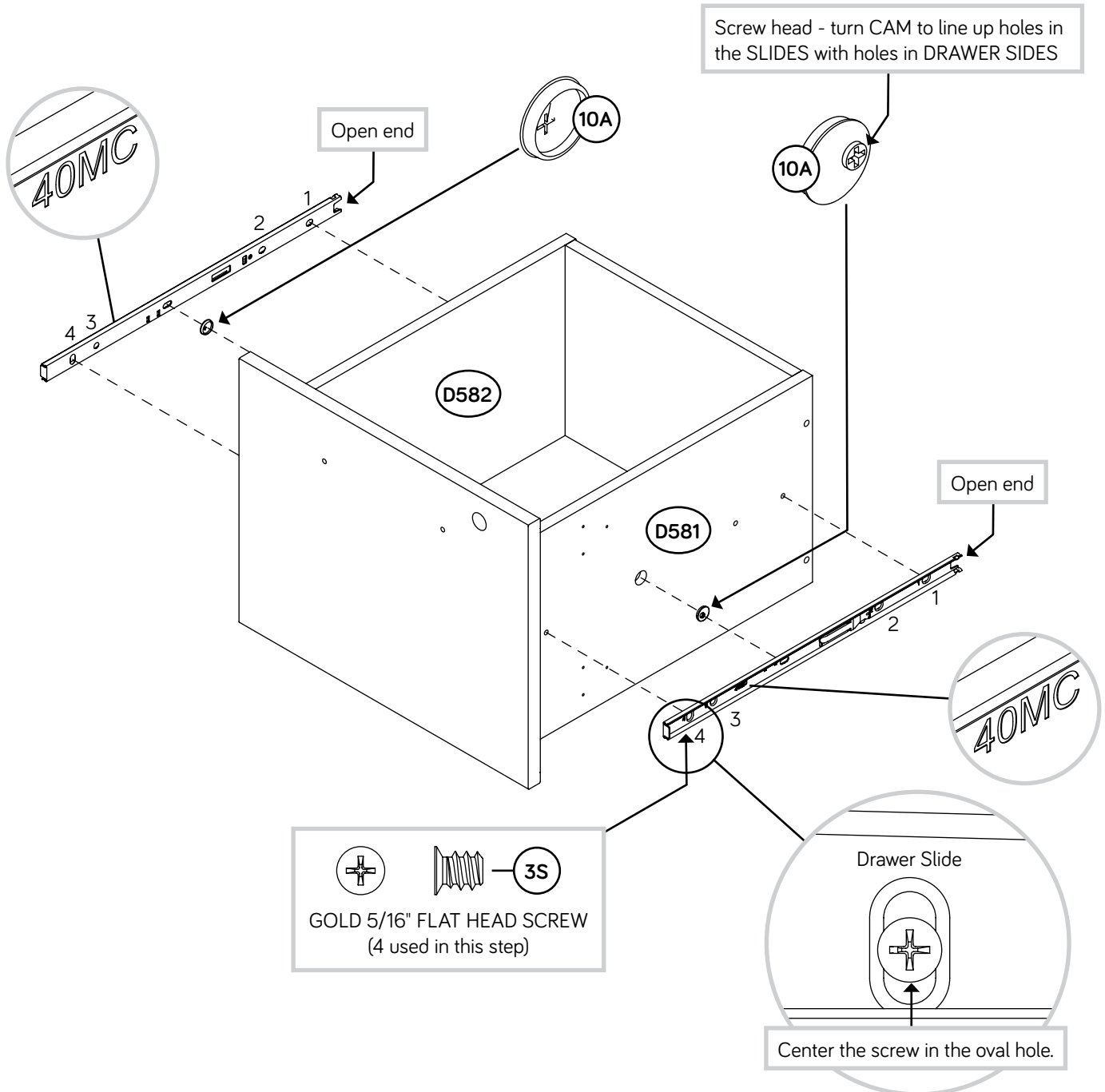
- Fasten the LARGE DRAWER BACK (D78) to the LARGE DRAWER SIDES (D581 and D582). Use four BLACK 1-9/16" FLAT HEAD SCREWS (30S).

**NOTE:** Be sure the DRAWER BOTTOM (D707) inserts into the groove of the DRAWER BACK (D78).

# Step 15

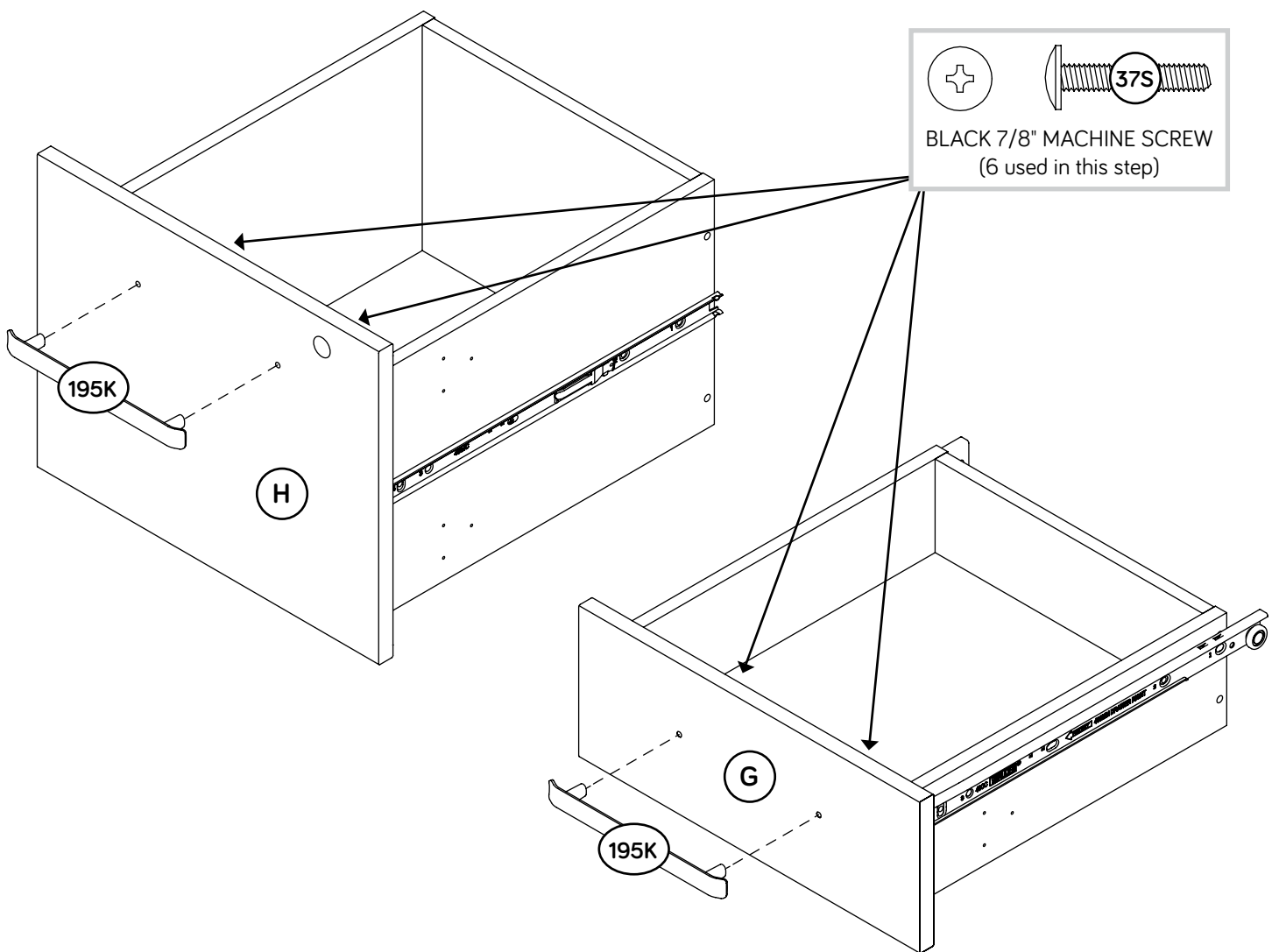


- ✚ Insert a SLIDE CAM (10A) into each LARGE DRAWER SIDE (D581 and D582).
- ✚ Fasten two EXTENSION SLIDES (40MC) to the LARGE DRAWER SIDES (D581 and D582).  
Use four GOLD 5/16" FLAT HEAD SCREWS (3S) through holes #1 and #4.
- ✚ NOTE: The screw head in the CAM must be visible through the slotted hole in the SLIDE.



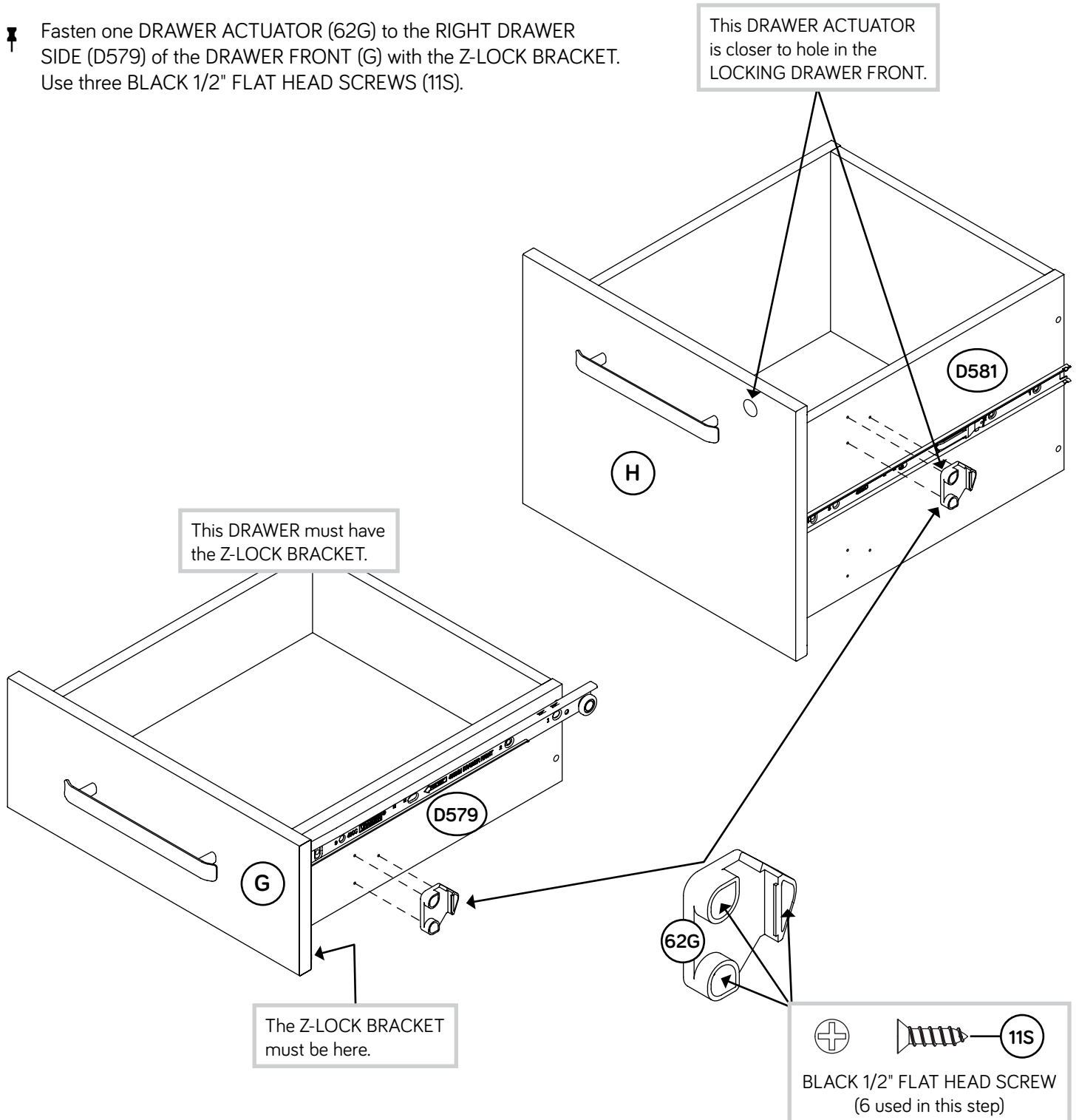
# Step 16

- Fasten one PULL (195K) to the LOCKING DRAWER FRONT (H). Use two BLACK 7/8" MACHINE SCREWS (37S).
- Fasten one PULL (195K) to one of the DRAWER FRONTS (G). Use two BLACK 7/8" MACHINE SCREWS (37S).
- Repeat this step for the remaining small DRAWER.



# Step 17

- Fasten one DRAWER ACTUATOR (62G) to the LARGE RIGHT DRAWER SIDE (D581) of the LOCKING DRAWER FRONT (H) exactly as shown. Use three BLACK 1/2" FLAT HEAD SCREWS (11S).
- Fasten one DRAWER ACTUATOR (62G) to the RIGHT DRAWER SIDE (D579) of the DRAWER FRONT (G) with the Z-LOCK BRACKET. Use three BLACK 1/2" FLAT HEAD SCREWS (11S).

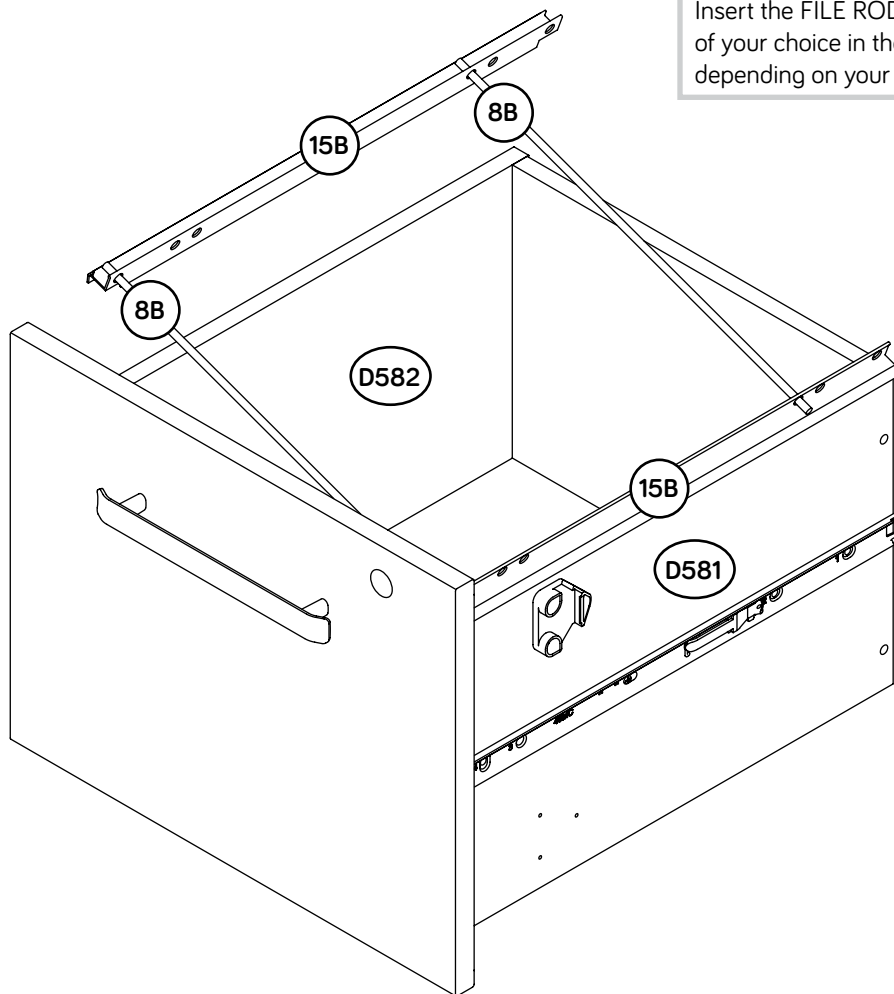


# Step 18

- ✚ Push a FILE GLIDE (15B) onto the LARGE RIGHT DRAWER SIDE (D581).
- ✚ Slide the FILE RODS (8B) into the FILE GLIDE (15B) on the LARGE RIGHT DRAWER SIDE.
- ✚ Slide another FILE GLIDE (15B) onto the other end of the FILE RODS (8B), then press this FILE GLIDE over the LARGE LEFT DRAWER SIDE (D582).



Almost time to celebrate! With a nap.



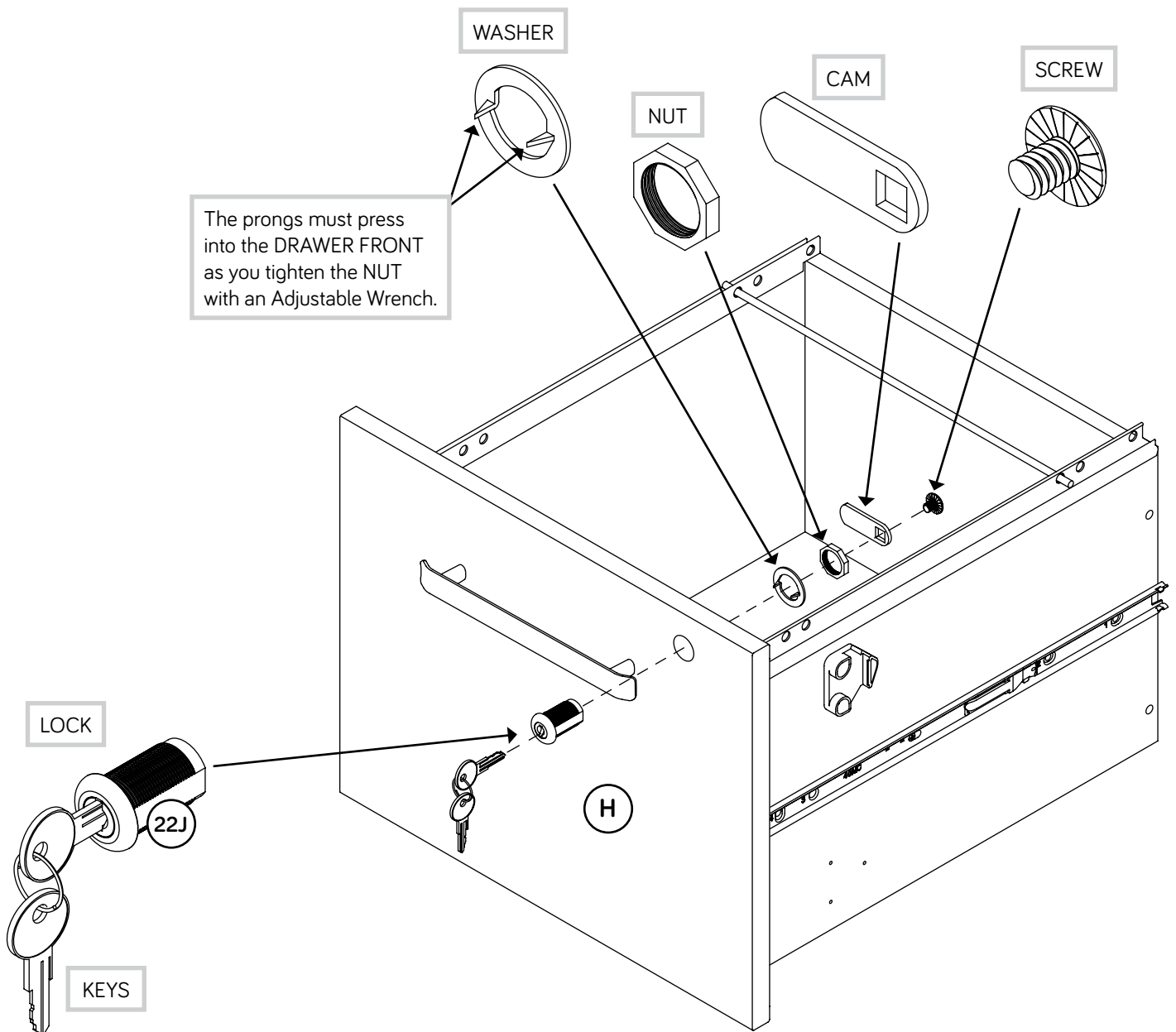
Insert the FILE RODS into the holes of your choice in the FILE GLIDES, depending on your file sizes.

# Step 19

✚ Fasten the LOCK PACK (22J) to the LOCKING DRAWER FRONT (H) in the exact order shown.

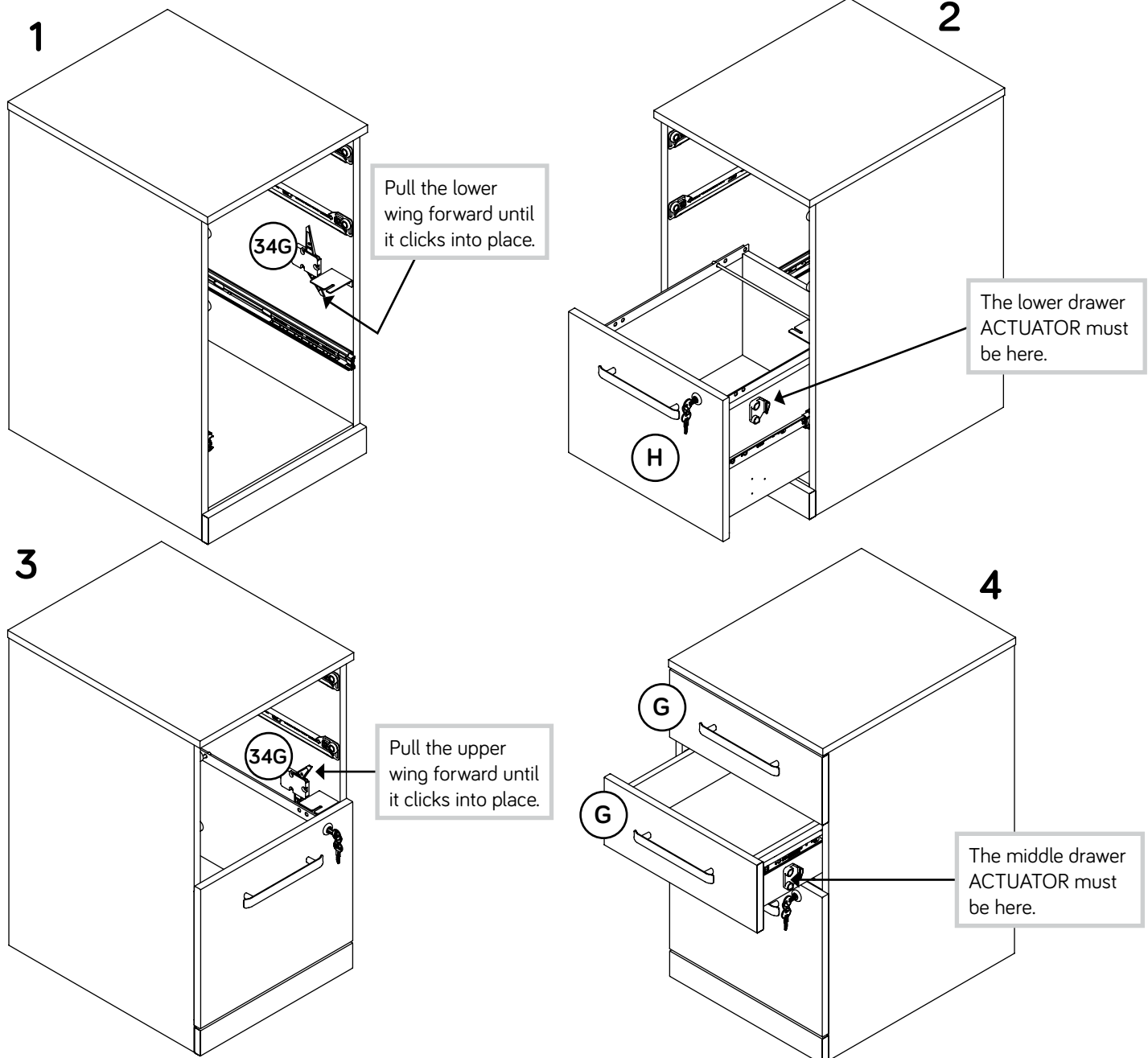
✚ NOTE: It is important to position the CAM exactly as shown.

✚ NOTE: Turn the KEY to the right to lock.



# Step 20

- ✦ Carefully stand your unit upright.
- ✦ Diagram 1 - Pull the lower wing of the INTERLOCK MECHANISM (34G) forward until it clicks into place.
- ✦ Diagram 2 - To insert the LOCKING DRAWER (H) into your unit, line up the EXTENSION SLIDES on the drawer with the EXTENSION RAILS on the unit and push the drawer into the unit until it is fully inserted.
- ✦ Diagram 3 - Pull the upper wing of the INTERLOCK MECHANISM (34G) forward until it clicks into place.
- ✦ Diagram 4 - To insert the DRAWER (G) with the DRAWER ACTUATOR into your unit, tip the front of the drawer down and drop the rollers on the drawer behind the rollers on the unit. Lift the front of the drawer up and slide it into the unit. Repeat this step to insert the remaining DRAWER (G).



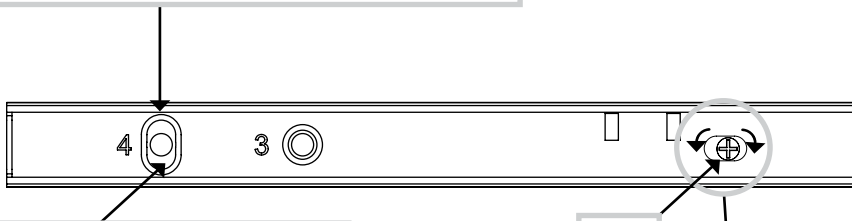
# Step 21

13

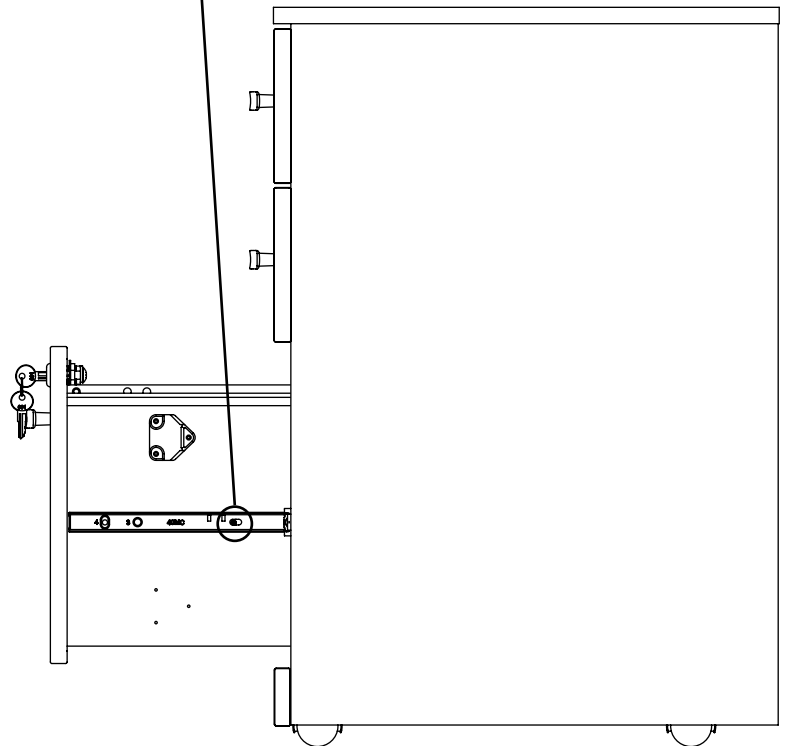


- To make adjustments to the drawer, loosen SCREW #4 in the SLIDES a 1/4 turn, then turn the cam clockwise or counter-clockwise. Notice how the drawer raises or lowers as you turn the cam. By adjusting the drawer this way, it will help the DRAWER FRONT line up better when closed. Tighten the SCREWS when finished with adjustments.

Loosen screw #4 a 1/4 turn, turn the cam a 1/4 turn maximum in both the clockwise and counter-clockwise directions to make adjustments, and then tighten screw #4.



The higher the screw in the oblong hole, the higher your drawer front will be. The lower the screw, the lower the drawer front.



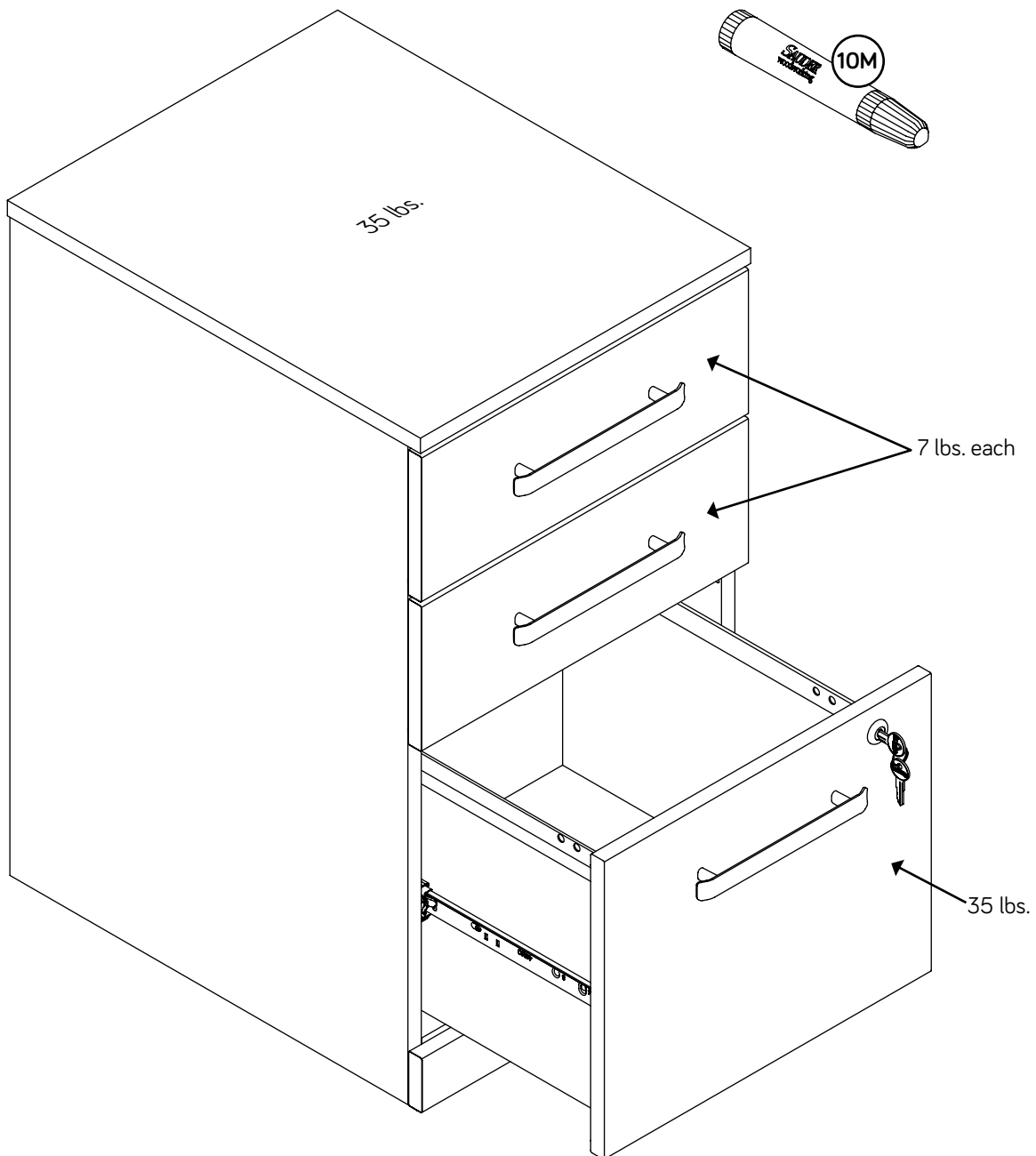
# Step 22

🔩 For long-term care and maintenance of your unit, you may touch up the edges with the TOUCH-UP PEN (10M).

🔩 **NOTE:** Please read the back pages of the instruction booklet for important safety information.

🔩 This completes assembly. Clean with a damp cloth. Wipe dry.

★ **And to celebrate, why not share your success story at [sauder.com](http://sauder.com) or**     



Utilisez les instructions d'assemblage en français avec les schémas étape par étape du manuel d'instruction en anglais. Chaque étape en français correspond à la même étape en anglais. Comparer la "Liste de pièces" ci-dessous avec la "PART IDENTIFICATION" du manuel en anglais pour vous familiariser avec les pièces avant l'assemblage.

**REMARQUE :** CE MANUEL D'INSTRUCTIONS CONTIENT **D'IMPORTANTES** INFORMATIONS RELATIVES À LA SÉCURITÉ. À LIRE ET CONSERVER POUR TOUTE RÉFÉRENCE FUTURE.

**NOUS CONTACTER EN PREMIER****AVANT D'EFFECTUER TOUT RETOUR AU MAGASIN.**

Nous faisons de notre mieux pour nous assurer que votre meuble arrive dans d'excellentes conditions. Nos représentants du service Clientèle sont aimables et prêts à vous aider au cas où une pièce aurait été endommagée ou manquerait (ou si vous aviez besoin d'aide pour l'assemblage). Composez ce numéro d'appel gratuit:

**877-996-7539**

**Du lundi au vendredi, de 8:30 heures du matin à  
5 heures du soir (horaire Côte Est)  
(sauf jours fériés)**

Si une pièce a besoin d'être remplacée, la pièce de remplacement sera envoyée dans les 48 heures. (Sauf week-ends et jours fériés)

Noter la date d'achat de cet élément et conserver le livret pour future référence. Pour contacter Sauder en ce qui concerne cet élément, faire référence au numéro de lot et numéro de modèle en appelant notre numéro sans frais.

Lot n° : \_\_\_\_\_

Date de l'achat : \_\_\_\_\_

| LISTE DE PIÈCES |                                     |          | LISTE DE PIÈCES                         |  |          |
|-----------------|-------------------------------------|----------|---|--|----------|
| REFERENCE       | DESCRIPTION                         | QUANTITÉ | REFERENCE                               | DESCRIPTION                              | QUANTITÉ |
| A               | EXTRÉMITÉ DROITE.....               | 1        | (ENSEMBLE DE GLISSIÈRE ILLUSTRÉ À PART) |  |          |
| B               | EXTRÉMITÉ GAUCHE.....               | 1        | 40MA                                    | GLISSIÈRE D'EXTENSION.....               | 2        |
| C               | DESSUS.....                         | 1        | 40MCC                                   | COULISSE D'EXTENSION.....                | 2        |
| D               | ARRIÈRE.....                        | 1        | 10A                                     | EXCENTRIQUE DE COULISSE.....             | 6        |
| D78             | ARRIÈRE DE GRAND TIROIR.....        | 1        | 8B                                      | TIGE POUR DOSSIERS.....                  | 2        |
| D109            | ARRIÈRE DE TIROIR.....              | 2        | 15B                                     | ARMATURE POUR DOSSIERS.....              | 2        |
| D579            | CÔTÉ DROIT DE TIROIR.....           | 2        | 8CN                                     | ROULETTE NON-PIVOTANTE.....              | 2        |
| D580            | CÔTÉ GAUCHE DE TIROIR.....          | 2        | 8CS                                     | ROULETTE PIVOTANTE.....                  | 2        |
| D581            | CÔTÉ DROIT DE GRAND TIROIR.....     | 1        | 42F                                     | CHEVILLE EN BOIS.....                    | 16       |
| D582            | CÔTÉ GAUCHE DE GRAND TIROIR.....    | 1        | 4G                                      | CONSOLE EN MÉTAL.....                    | 4        |
| D707            | FOND DE GRAND TIROIR.....           | 1        | 34G                                     | MÉCANISME D'ENCLENCHEMENT.....           | 1        |
| D716            | FOND DE TIROIR.....                 | 2        | 62G                                     | ACTIONNEUR DE TIROIR.....                | 2        |
| E               | DESSOUS.....                        | 1        | 76G                                     | CONSOLE DE VERROU EN L.....              | 1        |
| F               | BASE.....                           | 1        | 77G                                     | CONSOLE DE VERROU EN Z.....              | 1        |
| G               | DEVANT DE TIROIR.....               | 2        | 22J                                     | JEU DE SERRURE.....                      | 1        |
| H               | DEVANT DE TIROIR VERROUILLABLE..... | 1        | 195K                                    | POIGNÉE.....                             | 3        |
|                 |                                     |          | 10M                                     | FEUTRE DE RETOUCHE.....                  | 1        |
|                 |                                     |          | 1S                                      | VIS TÊTE LARGE 14 mm NOIRE.....          | 28       |
|                 |                                     |          | 3S                                      | VIS TÊTE PLATE 8 mm DORÉE.....           | 24       |
|                 |                                     |          | 11S                                     | VIS TÊTE PLATE 13 mm NOIRE.....          | 6        |
|                 |                                     |          | 30S                                     | VIS TÊTE PLATE 40 mm NOIRE.....          | 12       |
|                 |                                     |          | 37S                                     | VIS À MÉTAUX 22 mm NOIRE.....            | 6        |
|                 |                                     |          | 51S                                     | VIS TÊTE GOUTTE DE SUIF 14 mm NOIRE..... | 3        |
| 40CA            | ÉLÉMENT DROIT.....                  | 2        |   |  |          |
| 40CB            | ÉLÉMENT GAUCHE.....                 | 2        |   |  |          |
| 40CC            | TIROIR DROIT.....                   | 2        |   |  |          |
| 40CD            | TIROIR GAUCHE.....                  | 2        |   |  |          |

## Guide d'utilisation de la visserie

### UTILISATION DE LA FIXATION TWIST-LOCK®

1. Enfoncer une FIXATION TWIST-LOCK® dans le gros trou de la pièce.

2. 1. Insérer l'extrémité fileté de la FIXATION dans le trou de la pièce attenante.

**REMARQUE** : L'extrémité fileté de la FIXATION doit rester complètement insérée dans le trou de la pièce attenante lorsque l'on bloque la FIXATION.

2. Bien serrer la FIXATION à l'aide d'un tournevis Phillips.

### ÉTAPE 1

Assembler l'élément sur un sol à moquette ou sur le carton vide pour éviter d'endommager l'élément ou le sol.

Insérer deux CHEVILLES EN BOIS (42F) dans l'ARRIÈRE (D)

**REMARQUE** : Il est peut-être nécessaire d'enfoncer les CHEVILLES EN BOIS délicatement à l'aide d'un marteau.

Fixer le DESSOUS (E) à l'ARRIÈRE (D). Serrer une FIXATION TWIST-LOCK®

**REMARQUE** : S'assurer d'insérer les CHEVILLES EN BOIS du DESSOUS dans l'ARRIÈRE.

### ÉTAPE 2

Fixer deux ÉLÉMENTS DROITES (40CA) à l'EXTRÉMITÉ DROITE (A). Utiliser quatre VIS TÊTE PLATE 8 mm DORÉES (3S) à travers les trous n° 1 et n° 3.

### ÉTAPE 3

Séparer les COULISSES D'EXTENSION (40MC) des GLISSIÈRES D'EXTENSION (40MA) comme l'indique le schéma du haut ci-dessous. Faire attention car les pièces sont graissées.

Fixer une GLISSIÈRE D'EXTENSION (40MA) à l'EXTRÉMITÉ DROITE (A). Utiliser deux VIS TÊTE PLATE 8 mm DORÉES (3S) à travers les trous n° 1 et n° 4.

**REMARQUE** : Pour chaque GLISSIÈRE D'EXTENSION, faire tourner une VIS dans le trou indiqué dans le schéma agrandi. Ensuite, enfiler la cartouche interne de la GLISSIÈRE D'EXTENSION vers l'intérieur pour trouver l'autre trou qui est aligné sur le trou dans l'EXTRÉMITÉ. Faire tourner une VIS dans ce trou.

**REMARQUE** : Les COULISSES D'EXTENSION seront utilisées ultérieurement pour le GRAND TIROIR.

### ÉTAPE 4

Fixer le MÉCANISME DE VERROUILLAGE (34G) à l'EXTRÉMITÉ DROITE (A). Utiliser trois VIS TÊTE GOUTTE DE SUIF 14 mm NOIRES (51S).

Fixer la CONSOLE DE VERROU EN L (76G) à l'EXTRÉMITÉ DROITE (A) exactement comme il l'est indiqué. Utiliser deux VIS TÊTE LARGE 14 mm NOIRES (1S).

### ÉTAPE 5

Insérer quatre CHEVILLES EN BOIS (42F) dans l'EXTRÉMITÉ DROITE (A).

**REMARQUE** : Il est peut-être nécessaire d'enfoncer les CHEVILLES EN BOIS délicatement à l'aide d'un marteau.

Fixer l'ARRIÈRE (D) et au DESSOUS (E) à l'EXTRÉMITÉ DROITE (A). Serrer quatre FIXATIONS TWIST-LOCK®.

**REMARQUE** : S'assurer d'insérer les CHEVILLES EN BOIS de l'EXTRÉMITÉ dans l'ARRIÈRE et du DESSOUS.

### ÉTAPE 6

Fixer deux ÉLÉMENTS GAUCHES (40CB) à l'EXTRÉMITÉ GAUCHE (B). Utiliser quatre VIS TÊTE PLATE 8 mm DORÉES (3S) à travers les trous n° 1 et n° 3.

## ÉTAPE 7

Fixer l'autre GLISSIÈRE D'EXTENSION (40MA) à l'EXTRÉMITÉ GAUCHE (B). Utiliser deux VIS TÊTE PLATE 8 mm DORÉES (3S) à travers les trous n° 1 et n° 4.

**REMARQUE** : Pour chaque GLISSIÈRE D'EXTENSION, faire tourner une VIS dans le trou indiqué dans le schéma agrandi. Ensuite, enfiler la cartouche interne de la GLISSIÈRE D'EXTENSION vers l'intérieur pour trouver l'autre trou qui est aligné sur le trou dans l'EXTRÉMITÉ. Faire tourner une VIS dans ce trou.

## ÉTAPE 8

Insérer quatre CHEVILLES EN BOIS (42F) dans l'EXTRÉMITÉ GAUCHE (B).

**REMARQUE** : Il est peut-être nécessaire d'enfoncer les CHEVILLES EN BOIS délicatement à l'aide d'un marteau.

Fixer l'ARRIÈRE (D) et au DESSOUS (E) à l'EXTRÉMITÉ GAUCHE (B). Serrer quatre FIXATIONS TWIST-LOCK®.

**REMARQUE** : S'assurer d'insérer les CHEVILLES EN BOIS de l'EXTRÉMITÉ dans l'ARRIÈRE et du DESSOUS.

## ÉTAPE 9

Insérer six CHEVILLES EN BOIS (42F) dans le DESSUS (C).

**REMARQUE** : Il est peut-être nécessaire d'enfoncer les CHEVILLES EN BOIS délicatement à l'aide d'un marteau.

Fixer les EXTRÉMITÉS (A et B) et à l'ARRIÈRE (D) aux DESSUS (C). Serrer cinq FIXATIONS TWIST-LOCK®.

**REMARQUE** : S'assurer d'insérer les CHEVILLES EN BOIS des EXTRÉMITÉS et de l'ARRIÈRE dans le DESSUS.

## ÉTAPE 10

Fixer quatre CONSOLES EN MÉTAL (4G) aux EXTRÉMITÉS (A et B) et au DESSOUS (E). Utiliser quatre VIS TÊTE LARGE 14 mm NOIRES (1S).

**REMARQUE** : S'assurer que les CONSOLES sont à fleur des bords des EXTRÉMITÉS et du DESSOUS.

Fixer la BASE (F) aux CONSOLES EN MÉTAL sur les EXTRÉMITÉS et DESSOUS. Utiliser quatre VIS TÊTE LARGE 14 mm NOIRES (1S).

## ÉTAPE 11

Fixer les ROULETTES (8CN et 8CS) au DESSOUS (E) exactement comme il l'est indiqué. Utiliser seize VIS TÊTE LARGE 14 mm NOIRES (1S).

## ÉTAPE 12

1. Fixer la CONSOLE DE VERROU EN Z (77G) sur l'un des DEVANTS DE TIROIR (G). Utiliser deux VIS TÊTE LARGE 14 mm NOIRES (1S).

2. Insérer les CÔTÉS DE TIROIR (D579 et D580) en biseau dans la fente dans chaque extrémité du DEVANT DE TIROIR (G).

3. Enfiler le FOND DE TIROIR (D716) dans les rainures des CÔTÉS DE TIROIR (D579 et D580) et du DEVANT DE TIROIR (G).

4. Fixer l'ARRIÈRE DE TIROIR (D109) aux CÔTÉS DE TIROIR (D579 et D580). Utiliser quatre VIS TÊTE PLATE 40 mm NOIRES (30S).

**REMARQUE** : S'assurer que le FOND DE TIROIR (D716) s'encastre dans la rainure de l'ARRIÈRE DE TIROIR (D109).

Répéter cette étape pour l'autre petit TIROIR.

## ÉTAPE 13

Insérer une EXCENTRIQUE DE COULISSE (10A) dans chaque CÔTÉ DE TIROIR (D579 et D580).

Fixer le TIROIR DROIT (40CC) au CÔTÉ DROIT DE TIROIR (D579) et le TIROIR GAUCHE (40CD) au CÔTÉ GAUCHE DE TIROIR (D580). Utiliser quatre VIS TÊTE PLATE 8 mm DORÉES (3S) à travers les trous n° 2 et n° 4.

**REMARQUE** : La tête de vis dans l'EXCENTRIQUE doit être visible à travers le trou fendu dans la COULISSE.

Répéter cette étape pour l'autre petit TIROIR.

## ÉTAPE 14

1. Insérer les CÔTÉS DE GRAND TIROIR (D581 et D582) en biseau dans la fente dans chaque extrémité du DEVANT DE TIROIR VERROUILLABLE (H).

2. Enfiler le FOND DE GRAND TIROIR (D707) dans les rainures des CÔTÉS DE GRAND TIROIR (D581 et D582) et du DEVANT DE TIROIR VERROUILLABLE (H).

3. Fixer l'ARRIÈRE DE GRAND TIROIR (D78) aux CÔTÉS DE GRAND TIROIR (D581 et D582). Utiliser quatre VIS TÊTE PLATE 40 mm NOIRES (30S).

**REMARQUE** : S'assurer que le FOND DE TIROIR (D707) s'encastre dans la rainure de l'ARRIÈRE DE TIROIR (D78).

## ÉTAPE 15

Insérer une EXCENTRIQUE DE COULISSE (10A) dans chaque CÔTÉ DE GRAND TIROIR (D581 et D582).

Fixer deux COULISSES D'EXTENSION (40MC) aux CÔTÉS DE GRAND TIROIR (D581 et D582). Utiliser quatre VIS TÊTE PLATE 8 mm DORÉES (3S) à travers les trous n° 1 et n° 4.

**REMARQUE** : La tête de vis dans l'EXCENTRIQUE doit être visible à travers le trou fendu dans la COULISSE.

## ÉTAPE 16

Fixer une POIGNÉE (195K) sur le DEVANT DE TIROIR VERROUILLABLE (H). Utiliser deux VIS À MÉTAUX 22 mm NOIRES (37S).

Fixer une POIGNÉE (195K) sur l'un des DEVANTS DE TIROIR (G). Utiliser deux VIS À MÉTAUX 22 mm NOIRES (37S).

Répéter cette étape pour l'autre petit TIROIR.

## ÉTAPE 17

Fixer un ACTIONNEUR DE TIROIR (62G) au CÔTÉ DROIT DE GRAND TIROIR (D581) du DEVANT DE TIROIR VERROUILLABLE (H) exactement comme il l'est indiqué. Utiliser trois VIS TÊTE PLATE 13 mm NOIRES (11S).

Fixer un ACTIONNEUR DE TIROIR (62G) au CÔTÉ DROIT DE TIROIR (D579) du DEVANT DE TIROIR (G) avec la CONSOLE DE VERROU EN Z. Utiliser trois VIS TÊTE PLATE 13 mm NOIRES (11S).

## ÉTAPE 18

Enfoncer une ARMATURE POUR DOSSIERS (15B) sur le CÔTÉ DROIT DE GRAND TIROIR (D581).

Enfiler les GUIDES POUR DOSSIERS (8B) dans l'ARMATURE POUR DOSSIERS (15B) située sur le CÔTÉ DROIT DE GRAND TIROIR.

Enfiler une autre ARMATURE POUR DOSSIERS (15B) sur l'autre extrémité des GUIDES POUR DOSSIERS (8B) et appuyer cette ARMATURE POUR DOSSIERS sur le CÔTÉ GAUCHE DE GRAND TIROIR (D582).

## ÉTAPE 19

Fixer l'ENSEMBLE SERRURE (22J) au DEVANT DE TIROIR VERROUILLABLE (H) dans l'ordre indiqué.

**REMARQUE** : Il est important de vérifier que la CAME est dirigée exactement comme l'indique le schéma.

**REMARQUE** : Faire tourner la CLÉ dans le sens des aiguilles d'une montre pour verrouiller.

## ÉTAPE 20

Relever, avec précaution, l'élément dans sa position verticale.

Schéma 1 - Tirer l'aile inférieure du MÉCANISME DE VERROUILLAGE (34G) vers l'avant jusqu'à ce qu'elle s'enclenche en place.

Schéma 2 - Pour insérer le TIROIR VERROUILLABLE (H) dans l'élément, aligner les COULISSES D'EXTENSION du tiroir sur les GLISSIÈRES D'EXTENSION de l'élément et enfoncer le tiroir dans l'élément jusqu'à ce que le tiroir soit complètement inséré.

Schéma 3 - Tirer l'aile supérieure du MÉCANISME DE VERROUILLAGE (34G) vers l'avant jusqu'à ce qu'elle s'enclenche en place.

Schéma 4 - Pour insérer le TIROIR (G) avec l'ACTIONNEUR DE TIROIR dans l'élément, abaisser le devant du tiroir et faire passer les roulettes situées sur le tiroir derrière les roulettes situées sur l'élément. Relever le devant du tiroir et l'enfiler dans l'élément. Répéter cette étape pour insérer l'autre TIROIR (G).

## ÉTAPE 21

Pour ajuster le tiroir, desserrer la VIS n° 4 dans les COULISSES un quart de tour et tourner ensuite la came dans le sens des aiguilles d'une montre ou dans le sens contraire. Noter que le tiroir monte ou descend lorsque l'on tourne la came. Ajuster le tiroir de cette manière permet au DEVANT DE TIROIR d'être mieux aligné une fois fermé. Resserrer les VIS après d'avoir ajusté.

## ÉTAPE 22

Pour un entretien à long terme de l'élément, il est possible de retoucher les chants à l'aide du FEUTRE DE RETOUCHE (10M).

**REMARQUE** : Prière de lire les informations importantes sur la sécurité figurant sur les pages arrière du manuel d'instructions.

Ceci complète l'assemblage. Nettoyer avec un tissu humide. Essuyer.

Use estas instrucciones de ensamblaje en español junto con las figuras paso-a-paso provistas en el folleto inglés. Cada paso en español corresponde al mismo paso en inglés. Compare la "Lista de Part" abajo con la "Part Identification" en el folleto en inglés para familiarizarse con Las partes de ensamblaje.

**NOTA:** ESTE FOLLETO DE INSTRUCCIONES CONTIENE INFORMACIÓN **IMPORTANTE** SOBRE LA SEGURIDAD. POR FAVOR LEA Y GUÁRDELO PARA REFERENCIA EN EL FUTURO.

**CONTÁCTENOS PRIMERO**

**ANTES DE HACER DEVOLUCIONES A LA TIENDA.**

Tratamos de asegurar que su mueble llega en condición excelente. Nuestros representantes de Servicio al Cliente son amables y listos para ayudarle con servicio rápido y eficiente si una parte está defectuosa o ausente (o si necesita ayuda con el ensamblaje). Llame este número sin cargo:

**877-996-7539**

**Lunes a viernes, 8:30 a.m. - 5:00 p.m.**

**Hora oficial del Este  
(excepto días festivos)**

Si requiere un repuesto de una parte, será enviado dentro de 48 horas (excepto los fines de semana y días festivos)

Anote la fecha de comprar esta unidad y guarde el folleto para su referencia futura. Si necesita ponerse en contacto con Sauder en cuanto a esta unidad, refiérase al número de lote y al número de modelo cuando llame a nuestro número gratis.

No. lote: \_\_\_\_\_

Fecha de compra: \_\_\_\_\_

| LISTA DE PARTES                              |                                     |          | LISTA DE PARTES |  |          |
|--|-------------------------------------|----------|-----------------|--|----------|
| ITEM   | DESCRIPCIÓN                         | CANTIDAD | ITEM            | DESCRIPCIÓN                                    | CANTIDAD |
| A  | EXTREMO DERECHO.....                | 1        | 10A             | EXCÉNTRICO DE CORREDERA.....                   | 6        |
| B  | EXTREMO IZQUIERDO.....              | 1        | 8B              | VARILLA DE ARCHIVERO.....                      | 2        |
| C  | PANEL SUPERIOR.....                 | 1        | 15B             | CORRIMIENTO DE ARCHIVERO.....                  | 2        |
| D  | DORSO.....                          | 1        | 8CN             | RUEDECITA NO-GIRATORIA.....                    | 2        |
| D78  | DORSO DE CAJÓN GRANDE.....          | 1        | 8CS             | RUEDECITA GIRATORIA.....                       | 2        |
| D109   | DORSO DE CAJÓN.....                 | 2        | 42F             | PASADOR DE MADERA.....                         | 16       |
| D579   | LADO DERECHO DE CAJÓN.....          | 2        | 4G              | SOPORTE DE METAL.....                          | 4        |
| D580   | LADO IZQUIERDO DE CAJÓN.....        | 2        | 34G             | MECANISMO DE UNIÓN.....                        | 1        |
| D581   | LADO DERECHO DE CAJÓN GRANDE.....   | 1        | 62G             | ACTUADOR DE CAJÓN.....                         | 2        |
| D582   | LADO IZQUIERDO DE CAJÓN GRANDE..... | 1        | 76G             | SOPORTE DE SEGURO EN L.....                    | 1        |
| D707   | FONDO DE CAJÓN GRANDE.....          | 1        | 77G             | SOPORTE DE SEGURO EN Z.....                    | 1        |
| D716   | FONDO DE CAJÓN.....                 | 2        | 22J             | PAQUETE DE CERRADURA.....                      | 1        |
| E  | FONDO.....                          | 1        | 195K            | TIRADOR.....                                   | 3        |
| F  | BASE.....                           | 1        | 10M             | PLUMA DE RETOQUE.....                          | 1        |
| G  | CARA DE CAJÓN.....                  | 2        | 1S              | TORNILLO NEGRO DE CABEZA GRANDE de 14 mm.....  | 28       |
| H  | CARA DE CAJÓN CON CERRADURA.....    | 1        | 3S              | TORNILLO DORADO DE CABEZA PERDIDA de 8 mm..... | 24       |
| 40CA   | GABINETE DERECHO.....               | 2        | 11S             | TORNILLO NEGRO DE CABEZA PERDIDA de 13 mm..... | 6        |
| 40CB   | GABINETE IZQUIERDO.....             | 2        | 30S             | TORNILLO NEGRO DE CABEZA PERDIDA de 40 mm..... | 12       |
| 40CC   | CAJÓN DERECHO.....                  | 2        | 37S             | TORNILLO NEGRO PARA METAL de 22 mm.....        | 6        |
| 40CD   | CAJÓN IZQUIERDO.....                | 2        | 51S             | TORNILLO NEGRO DE CABEZA REDONDA de 14 mm..... | 3        |
| (JUEGO DE EXTENSIÓN SE MUESTRA POR SEPARADO) |                                     |          |                 |  |          |
| 40MA   | RIEL DE EXTENSIÓN.....              | 2        |                 |  |          |
| 40MC   | CORREDERA DE EXTENSIÓN.....         | 2        |                 |  |          |

## Guía de uso de herrajes

### CÓMO UTILIZAR EL SUJETADOR TWIST-LOCK®

1. Empuje un SUJETADOR TWIST-LOCK® dentro del agujero grande en la parte.
2. 1. Inserte el extremo con cabilla del SUJETADOR en el agujero de la parte adjunta.

**NOTA:** El extremo con cabilla del SUJETADOR debe quedarse completamente insertado en el agujero de la parte adjunta cuando se enclava el SUJETADOR.

2. Apriete el SUJETADOR lo más apretado posible con un destornillador Phillips (cruz).

## PASO 1

Ensamble la unidad sobre un piso alfombrado o sobre el cartón vacío para evitar rayar la unidad o el piso.

Inserte dos PASADORES DE MADERA (42F) en el DORSO (D).

**NOTA:** Puede ser necesario que ligeramente clave los PASADORES DE MADERA adentro con un martillo.

Fije el FONDO (E) al DORSO (D). Apriete un SUJETADOR TWIST-LOCK®.

**NOTA:** Asegúrese de que los PASADORES DE MADERA del DORSO se inserten en el FONDO.

## PASO 2

Fije dos GABINETES DERECHOS (40CA) al EXTREMO DERECHO (A). Utilice cuatro TORNILLOS DORADOS DE CABEZA PERDIDA de 8 mm (3S) a través de los agujeros No. 1 y No. 3.

## PASO 3

Separe las CORREDERAS DE EXTENSIÓN (40MC) de los RIELES DE EXTENSIÓN (40MA) como se muestra en el diagrama superior más abajo. Prepárese, las piezas son grasientas.

Fije un RIEL DE EXTENSIÓN (40MA) al EXTREMO DERECHO (A). Utilice dos TORNILLOS DORADOS DE CABEZA PERDIDA de 8 mm (3S) a través de los agujeros No. 1 y No. 4.

**NOTA:** Para cada RIEL DE EXTENSIÓN, atornille un TORNILLO dentro del agujero indicado en el diagrama ampliado. A continuación, deslice el cartucho interno del RIEL DE EXTENSIÓN hacia el interior para encontrar el otro agujero que se alinea con el agujero del EXTREMO. Atornille un TORNILLO dentro de este agujero.

**NOTA:** Las CORREDERAS DE EXTENSIÓN se utilizarán más tarde para el CAJÓN GRANDE.

## PASO 4

Fije el MECANISMO DE UNIÓN (34G) al EXTREMO DERECHO (A). Utilice tres TORNILLOS NEGROS DE CABEZA REDONDA de 14 mm (51S).

Fije el SOPORTE DE SEGURO EN L (76G) al EXTREMO DERECHO (A) exactamente como se muestra. Utilice dos TORNILLOS NEGROS DE CABEZA GRANDE de 14 mm (1S).

## PASO 5

Inserte cuatro PASADORES DE MADERA (42F) en el EXTREMO DERECHO (A).

**NOTA:** Puede ser necesario que ligeramente clave los PASADORES DE MADERA adentro con un martillo.

Fije el DORSO (D) y al FONDO (E) al EXTREMO DERECHO (A). Apriete cuatro SUJETADORES TWIST-LOCK®.

**NOTA:** Asegúrese de que los PASADORES DE MADERA en el DORSO y el FONDO se inserten en el EXTREMO.

## PASO 6

Fije dos GABINETES IZQUIERDOS (40CB) al EXTREMO IZQUIERDO (B). Utilice cuatro TORNILLOS DORADOS DE CABEZA PERDIDA de 8 mm (3S) a través de los agujeros No. 1 y No. 3.

## PASO 7

Fije el otro RIEL DE EXTENSIÓN (40MA) al EXTREMO IZQUIERDO (B). Utilice dos TORNILLOS DORADOS DE CABEZA PERDIDA de 8 mm (3S) a través de los agujeros No. 1 y No. 4.

**NOTA:** Para cada RIEL DE EXTENSIÓN, atornille un TORNILLO dentro del agujero indicado en el diagrama ampliado. A continuación, deslice el cartucho interno del RIEL DE EXTENSIÓN hacia el interior para encontrar el otro agujero que se alinea con el agujero del EXTREMO. Atornille un TORNILLO dentro de este agujero.

## PASO 8

Inserte cuatro PASADORES DE MADERA (42F) en el EXTREMO IZQUIERDO (B).

**NOTA:** Puede ser necesario que ligeramente clave los PASADORES DE MADERA adentro con un martillo.

Fije el EXTREMO IZQUIERDO (B) al DORSO (D) y al FONDO (E). Apriete cuatro SUJETADORES TWIST-LOCK®.

**NOTA:** Asegúrese de que los PASADORES DE MADERA en el EXTREMO se inserten en el DORSO y el FONDO.

## PASO 9

Inserte cuatro PASADORES DE MADERA (42F) en el PANEL SUPERIOR (C).

**NOTA:** Puede ser necesario que ligeramente clave los PASADORES DE MADERA adentro con un martillo.

Fije los EXTREMOS (A y B) y al DORSO (D) a el PANEL SUPERIOR (C). Apriete cinco SUJETADORES TWIST-LOCK®.

**NOTA:** Asegúrese de que los PASADORES DE MADERA en el PANEL SUPERIOR se inserten en los EXTREMOS y el DORSO.

## PASO 10

Fije cuatro SOPORTES DE METAL (4G) a los EXTREMOS (A y B) y al FONDO (E). Utilice cuatro TORNILLOS NEGROS DE CABEZA GRANDE de 14 mm (1S).

**NOTA:** Asegúrese que los SOPORTES estén nivelados con los bordes de los EXTREMOS y del FONDO.

Fije la BASE (F) a los SOPORTES DE METAL sobre los EXTREMOS y FONDO. Utilice cuatro TORNILLOS NEGROS DE CABEZA GRANDE de 14 mm (1S).

## PASO 11

Fije las RUEDECITAS (8CN y 8CS) al FONDO (E) exactamente como se muestra. Utilice dieciséis TORNILLOS NEGROS DE CABEZA GRANDE de 14 mm (1S).

## PASO 12

1. Fije el SOPORTE DE SEGURO EN Z (77G) a una de las CARAS DE CAJÓN (G). Utilice dos TORNILLOS NEGROS DE CABEZA GRANDE de 14 mm (1S).

2. Inserte los LADOS DE CAJÓN (D579 y D580) en ángulo en el encaje en cada extremo de la CARA DE CAJÓN (G).

3. Deslice el FONDO DE CAJÓN (D716) en las ranuras de los LADOS DE CAJÓN (D579 y D580) y de la CARA DE CAJÓN (G).

4. Fije el DORSO DE CAJÓN (D109) a los LADOS DE CAJÓN (D579 y D580). Utilice cuatro TORNILLOS NEGROS DE CABEZA PERDIDA de 40 mm (30S).

**NOTA:** Asegúrese de que el FONDO DE CAJÓN (D716) ajuste en la ranura del DORSO DE CAJÓN (D109).

Repita este paso para el otro CAJÓN pequeño.

## PASO 13

Inserte un EXCÉNTRICO DE CORREDERA (10A) en cada LADO DE CAJÓN (D579 y D580).

Fije el CAJÓN DERECHO (40CC) al LADO DERECHO DE CAJÓN (D579) y el CAJÓN IZQUIERDO (40CD) al LADO IZQUIERDO DE CAJÓN (D580). Utilice cuatro TORNILLOS DORADOS DE CABEZA PERDIDA de 8 mm (3S) a través de los agujeros No. 2 y No. 4.

**NOTA:** La cabeza de tornillo del EXCÉNTRICO debe ser visible a través del agujero alargado de la CORREDERA.

Repita este paso para el otro CAJÓN pequeño.

## PASO 14

1. Inserte los LADOS DE CAJÓN GRANDE (D581 y D582) en ángulo dentro del encaje en cada extremo de la CARA DE CAJÓN CON CERRADURA (H).

2. Deslice el FONDO DE CAJÓN GRANDE (D707) dentro de las ranuras de los LADOS DE CAJÓN GRANDE (D581 y D582) y de la CARA DE CAJÓN CON CERRADURA (H).

3. Fije el DORSO DE CAJÓN GRANDE (D78) a los LADOS DE CAJÓN GRANDE (D581 y D582). Utilice cuatro TORNILLOS NEGROS DE CABEZA PERDIDA de 40 mm (30S).

**NOTA:** Asegúrese que el FONDO DE CAJÓN (D707) ajuste dentro de la ranura del DORSO DE CAJÓN (D78).

## PASO 15

Inserte un EXCÉNTRICO DE CORREDERA (10A) en cada LADO DE CAJÓN GRANDE (D581 y D582).

Fije dos CORREDERAS DE EXTENSIÓN (40MC) a los LADOS DE CAJÓN GRANDE (D581 y D582). Utilice cuatro TORNILLOS DORADOS DE CABEZA PERDIDA de 8 mm (3S) a través de los agujeros No. 1 y No. 4.

**NOTA:** La cabeza de tornillo del EXCÉNTRICO debe ser visible a través del agujero alargado de la CORREDERA.

## PASO 16

Fije un TIRADOR (195K) a la CARA DE CAJÓN CON CERRADURA (H). Utilice dos TORNILLOS NEGROS PARA METAL de 22 mm (37S).

Fije un TIRADOR (195K) a una de las CARAS DE CAJÓN (G). Utilice dos TORNILLOS NEGROS PARA METAL de 22 mm (37S).

Repita este paso para el otro CAJÓN pequeño.

## PASO 17

Fije uno ACTUADOR DE CAJÓN (62G) al LADO DERECHO DE CAJÓN GRANDE (D581) de la CARA DE CAJÓN CON CERRADURA (H) exactamente como se muestra. Utilice tres TORNILLOS NEGROS DE CABEZA PERDIDA de 13 mm (11S).

Fije uno ACTUADOR DE CAJÓN (62G) al LADO DERECHO DE CAJÓN (D579) de la CARA DE CAJÓN (G) con el SOPORTE DE SEGURO EN Z. Utilice tres TORNILLOS NEGROS DE CABEZA PERDIDA de 13 mm (11S).

## PASO 18

Empuje un CORRIMIENTO DE ARCHIVERO (15B) sobre el LADO DERECHO DE CAJÓN GRANDE (D581).

Deslice las VARILLAS DE ARCHIVERO (8B) dentro del CORRIMIENTO DE ARCHIVERO (15B) sujeta al LADO DERECHO DE CAJÓN GRANDE (D87).

Deslice otro CORRIMIENTO DE ARCHIVERO (15B) sobre el otro extremo de las VARILLAS DE ARCHIVERO (8B) y presione este CORRIMIENTO DE ARCHIVERO sobre el LADO IZQUIERDO DE CAJÓN GRANDE (D582).

## PASO 19

Fije el PAQUETE CON CERRADURA (22J) a la CARA DE CAJÓN CON CERRADURA (H) en el orden exacto indicado.

**NOTA:** Es importante asegurarse de que la LEVA esté apuntando hacia la dirección correspondiente tal como se indica.

**NOTA:** Gire la LLAVE a la derecha para bloquear.

## PASO 20

Cuidadosamente ponga la unidad en posición vertical.

Diagrama 1 - Tire el ala inferior del MECANISMO DE UNIÓN (34G) hacia adelante hasta que encaje en su lugar.

Diagrama 2 - Para insertar el CAJÓN CON CERRADURA (H) dentro de la unidad, alinee las CORREDERAS DE EXTENSIÓN sujetadas al cajón con los RIELES DE EXTENSIÓN sujetados a la unidad y empuje el cajón dentro de la unidad hasta que el cajón esté completamente insertado.

Diagrama 3 - Tire el ala superior del MECANISMO DE UNIÓN (34G) hacia adelante hasta que encaje en su lugar.

Diagrama 4 - Para insertar el CAJÓN (G) con el ACTUADOR DE CAJÓN dentro de la unidad, incline la parte delantera del cajón hacia abajo y deje que los rodillos del cajón caigan detrás de los rodillos de la unidad. Levante la parte delantera del cajón y deslícelo dentro de la unidad. Repita este paso para insertar el otro CAJÓN (G).

## PASO 21

Para ajustar el cajón, afloje el TORNILLO No. 4 de las CORREDERAS una cuarta vuelta y después gire la leva hacia la derecha o hacia la izquierda. Observe que el cajón sube o baja al girar la leva. Al ajustar el cajón de esta manera, mejorará la alineación de la CARA DE CAJÓN una vez cerrada. Apriete los TORNILLOS después de hacer los ajustes.

## PASO 22

Para el cuidado y mantenimiento de la unidad, puede retocar los bordes con la PLUMA DE RETOQUE (10M).

**NOTA:** Por favor, lea las páginas de atrás del folleto de instrucciones en cuanto a importante información de seguridad.

Esto completa el ensamblaje. Limpiar con un trapo húmedo. Seque con un paño.

### ⚠ CAUTION

Please use your furniture correctly and safely. Improper use can cause safety hazards, or damage to your furniture or household items. Carefully read the following chart.

| Look out for:  | What can happen:  | How to avoid the problem:  |
|--|---|--|
| <ul style="list-style-type: none"><li>Overloaded drawers.</li></ul>  | <ul style="list-style-type: none"><li>Risk of injury.</li><li>Top-heavy furniture can tip over.</li><li>Overloaded drawers can break.</li></ul>   | <ul style="list-style-type: none"><li>Never exceed the weight limits shown in the instructions.</li><li>Work from bottom to top when loading drawers. Place the heavier items in the lower drawer.</li></ul>                               |
| <ul style="list-style-type: none"><li>Improperly moving furniture.</li></ul>   | <ul style="list-style-type: none"><li>Furniture can tip over or break if improperly moved.</li><li>Physical injury. Furniture can be very heavy.</li></ul>  | <ul style="list-style-type: none"><li>Unload drawers from top to bottom before moving the lateral file.</li><li>Do not push furniture, especially on a carpeted floor. Have a friend help you lift the item and set it in place.</li></ul> |
| <ul style="list-style-type: none"><li>Placing TVs on furniture items that are not designed to support a television is hazardous.</li></ul> | <ul style="list-style-type: none"><li>Risk of injury or death. TVs can be very heavy. Plus the weight and location of the picture tube tends to make TVs unbalanced and prone to tipping forward.</li></ul> | <ul style="list-style-type: none"><li>This product is not designed to support a television.</li></ul>  |

### ⚠ ATTENTION

Prière d'utiliser le mobilier à bon escient et avec prudence. Une mauvaise utilisation peut être à l'origine de risques d'accident ou peut endommager le mobilier et les articles ménagers. Lire attentivement le tableau suivant.

| À surveiller :  | Danger éventuel :   | Solution :   |
|---|---|--|
| <ul style="list-style-type: none"><li>Tiroirs surchargés.</li></ul>   | <ul style="list-style-type: none"><li>Risque de blessure.</li><li>Du mobilier mal équilibré risque de se renverser.</li><li>Des tiroirs surchargés risqueraient de casser.</li></ul>  | <ul style="list-style-type: none"><li>Ne jamais excéder les limites de poids indiquées dans les instructions.</li><li>Pour charger les tiroirs, commencer par remplir celui du bas pour finir par celui du haut. Placer les objets les plus lourds dans le tiroir inférieur.</li></ul>         |
| <ul style="list-style-type: none"><li>Déplacement inadéquat d'un mobilier.</li></ul>  | <ul style="list-style-type: none"><li>Le mobilier risque de se renverser ou de casser en cas de déplacement inadéquat.</li><li>Blessure physique. Le mobilier peut être très lourd.</li></ul>   | <ul style="list-style-type: none"><li>Décharger les tiroirs en commençant par celui du haut avant de déplacer le Classeur Latéral.</li><li>Ne pas pousser le mobilier, surtout sur la moquette. Se faire aider par une autre personne pour soulever l'élément et le mettre en place.</li></ul> |
| <ul style="list-style-type: none"><li>Il est dangereux utiliser un meuble que n'est pas conçu pour supporter un téléviseur.</li></ul> | <ul style="list-style-type: none"><li>Risque de blessures graves, voire mortelles. Les téléviseurs peuvent être très lourds. De plus, le poids et l'emplacement du tube image ont tendance à rendre les téléviseurs instables et enclins à tomber vers l'avant.</li></ul> | <ul style="list-style-type: none"><li>Ce produit n'est pas destiné à supporter un téléviseur.</li></ul>  |

**⚠ PRECAUCIÓN**

Por favor use el mobiliario correcta y seguramente. El mal uso puede causar riesgos de seguridad o daño a las unidades o artículos domésticos. Cuidadosamente lea la tabla a continuación.

| Esté alerta de:  | Puede ocurrir:   | Evitar el problema:  |
|--|--|--|
| <ul style="list-style-type: none"><li>• Cajones sobrecargados.</li></ul>   | <ul style="list-style-type: none"><li>• Riesgo de lesiones.</li><li>• La caída de mobiliario inestable.</li><li>• Los cajones sobrecargados pueden romperse.</li></ul>   | <ul style="list-style-type: none"><li>• Nunca exceda los límites de peso indicados en las instrucciones.</li><li>• Para cargar los cajones trabaje desde abajo hacia arriba. Coloque los artículos más pesados en el cajón inferior.</li></ul>   |
| <ul style="list-style-type: none"><li>• Mover el mobiliario incorrectamente.</li></ul>   | <ul style="list-style-type: none"><li>• La inclinación o rotura del mobiliario es posible si se mueve de manera inadecuada.</li><li>• Lesión física. El mobiliario puede ser muy pesado.</li></ul>   | <ul style="list-style-type: none"><li>• Descargue los cajones desde arriba hacia abajo antes de mover el archivero lateral.</li><li>• No empuje la unidad, especialmente sobre un piso alfombrado. Pida la ayuda de otra persona en levantar la unidad y colocarla en lugar.</li></ul> |
| <ul style="list-style-type: none"><li>• Es peligroso colocar los televisores sobre unidades de mobiliario que no están diseñadas para soportar un televisor.</li></ul> | <ul style="list-style-type: none"><li>• Riesgo de lesiones o la muerte. Los televisores pueden ser muy pesados. Además, el peso y la ubicación del tubo de imagen tienden a causar la inestabilidad de televisores y hacerlos propensos a volcarse hacia adelante.</li></ul> | <ul style="list-style-type: none"><li>• Este producto no está diseñado para soportar un televisor.</li></ul>   |

## 5-YEAR LIMITED WARRANTY

1. Sauder Woodworking Co. (Sauder®) provides limited warranty coverage to the original purchaser of this product for a period of five years from the date of purchase against defects in materials or workmanship of Sauder furniture components. As used in this Warranty, "defect" means imperfections in components which substantially impair the utility of the product. This Warranty gives you specific legal rights, and you may also have other rights which vary from state to state.

2. There is no warranty coverage for defects or conditions that result from the failure to follow product assembly instructions, information or warnings, misuse or abuse, intentional damage, fire, flood, alteration or modification of the product, or use of the product in a manner inconsistent with its intended use, nor any condition resulting from incorrect or inadequate maintenance, cleaning, or care. There is also no warranty coverage for rented products or any products purchased "used" or "as is", at a distress or going-out-of business sale, or from a liquidator.

3. As the exclusive remedy under this Warranty, Sauder will (at its sole option) repair, replace or refund the value of any defective furniture component. Sauder may require independent confirmation of the claimed defect and proof of purchase. Replacement parts will be warranted for only the remaining period of the original Warranty. SAUDER SHALL HAVE NO LIABILITY FOR ANY INCIDENTAL OR CONSEQUENTIAL DAMAGES OF ANY KIND and all such damages are EXCLUDED FROM THIS WARRANTY, such as loss of use, disassembly, transportation, labor or damage to property on or near the product. Some states do not allow the exclusion or limitation of incidental or consequential damages, so the above limitation or exclusion may not apply to you.

## GARANTIE LIMITÉE DE 5 ANS

1. Sauder Woodworking Co. (Sauder®) offre une couverture de garantie limitée à l'acheteur initial du présent produit pendant une période de cinq ans à compter de la date d'achat contre tout défaut de matériaux ou de fabrication des composantes de mobilier Sauder. Le mot « défaut », tel qu'il est utilisé sous les termes de la présente garantie, comprend les imperfections des pièces qui empêchent substantiellement l'utilisation du produit. La présente garantie vous donne des droits légaux spécifiques et il est possible que vous ayez des droits supplémentaires variant d'État en État ou de province en province.

2. La présente garantie ne saurait couvrir les défauts ou conditions qui surviendraient à la suite du non respect des instructions, informations ou mises en garde de montage, d'une mauvaise utilisation ou d'un abus, d'un dommage intentionnel, d'un incendie, d'une inondation, d'une altération ou modification du produit, d'une utilisation du produit allant à l'encontre de son usage prévu, ni aucune condition résultant d'une maintenance, d'un nettoyage ou d'un entretien inappropriés ou inadéquats. De plus, il n'existe aucune garantie pour les produits loués ou tous les produits achetés « d'occasion » ou « en l'état », dans le cadre d'une vente aux enchères ou de solde pour cessation de commerce, ou auprès d'un liquidateur.

3. En tant que recours exclusif en vertu de la présente garantie, Sauder réparera, remplacera ou remboursera (sur sa seule décision) la valeur de toute composante de mobilier défectueuse. Sauder peut exiger une confirmation indépendante du défaut revendiqué ainsi qu'une preuve d'achat. Les pièces de rechange seront garanties uniquement pendant la période restante de la garantie originale. SAUDER NE SERA EN AUCUN CAS RESPONSABLE DE TOUT DOMMAGE ACCESSOIRE OU CONSÉCUTIF DE TOUTE SORTE et lesdits dommages sont EXCLUS DE LA PRÉSENTE GARANTIE, à savoir perte d'utilisation, démontage, transport, main d'œuvre ou dommages matériels sur ou à proximité du produit. Certains États ou provinces ne permettant pas l'exclusion ou la limite aux responsabilités pour dommages accidentels ou consécutifs, la limite ou l'exclusion ci-dessus peut ne pas être applicable.

## GARANTÍA LIMITADA DE 5 AÑOS

1. Sauder Woodworking Co. (Sauder®) provee cobertura de garantía limitada al comprador original de este producto por un período de cinco años, a partir de la fecha de compra, contra defectos en los materiales o de mano de obra en los componentes de muebles Sauder. Como es utilizado en esta Garantía, "defecto" significa imperfecciones en los componentes que de manera fundamental afecta la utilidad del producto. Esta Garantía le permite a usted ciertos derechos legales, y usted también podría poseer otros derechos adicionales, los cuales varían de estado a estado.

2. No hay cobertura de garantía para defectos o estados que resulten del incumplimiento en seguir las instrucciones, la información o las advertencias sobre el ensamblaje del producto; del uso incorrecto o maltrato, del daño intencional, incendio, inundación, cambio o modificación del producto; o de la utilización del producto de manera contradictoria con el uso para el cual fue fabricado, ni por ningún estado que resulte del mantenimiento, limpieza o cuidado incorrecto o inadecuado. Tampoco no hay cobertura de garantía para los productos rentados o para cualesquiera productos comprados "de uso" o "como está", en una venta de bienes embargados o en una venta por salirse del negocio, o comprados a un liquidador.

3. Como un recurso exclusivo bajo esta Garantía, Sauder (sólo a su opción) reparará, reemplazará o reembolsará el valor de cualquier componente defectuoso de mueble. Sauder puede requerir una confirmación independiente de un defecto reclamado y una prueba de compra. Las piezas de repuesto serán garantizadas solamente por el período de tiempo que queda de la Garantía original. SAUDER NO TENDRÁ RESPONSABILIDAD POR NINGÚN DAÑO INCIDENTAL O CONSUCUENTE DE NINGÚN TIPO y todos dichos daños SE EXCLUYEN DE ESTA GARANTÍA, tales como pérdida de uso, desensamblaje, transportación, trabajo o daño a la propiedad en o cerca del producto. Algunos estados no permiten la exclusión o limitación de daños incidentales o consecuentes, en tales instancias la limitación o exclusión antes mencionada podría no ser aplicable a usted.

4. This Warranty applies only to warranted defects that first arise and are reported to Sauder within the warranty coverage period. The Warranty cannot be transferred to subsequent owners or users of the product, and it shall be immediately void in the event the product is resold, transferred, leased or rented to any third party or person other than the original purchaser.

5. THERE ARE NO OTHER WARRANTIES APPLICABLE TO THIS PRODUCT. Under the laws of certain states, there may be no implied warranties from Sauder and all implied warranties, INCLUDING ANY IMPLIED WARRANTY OF MERCHANTABILITY OR FITNESS FOR A PARTICULAR PURPOSE are disclaimed where allowed by law. TO THE EXTENT ANY IMPLIED WARRANTIES ARE APPLICABLE, ANY IMPLIED WARRANTIES, INCLUDING ANY IMPLIED WARRANTY OF MERCHANTABILITY OR FITNESS FOR A PARTICULAR PURPOSE, ARE LIMITED IN DURATION TO THE DURATION OF THIS EXPRESS WARRANTY or the minimum period allowed by law, whichever is shorter. Some states do not allow limitations on how long an implied Warranty lasts, so the above limitation may not apply to you.

6. For Warranty inquiries or claims, please visit our website [www.sauder.com](http://www.sauder.com). You can also contact Sauder at 1.800.523.3987. Sauder may require Warranty claims to be submitted in writing to: Sauder Woodworking Co., 502 Middle Street, Archbold, OH 43502 USA. Please include your sales receipt or other proof of purchase and a specific description of the product defect.

4. La présente garantie ne s'applique qu'aux défauts garantis qui se produisent pour la première fois et qui sont signalés à Sauder dans les limites de couverture de la garantie. La garantie ne peut pas être transférée à des propriétaires ou utilisateurs subséquents du produit, et sera immédiatement invalidée dans le cas où le produit est revendu, transféré, loué sous bail ou loué à une tierce partie ou personne autre que l'acheteur original.

5. IL N'EXISTE AUCUNE AUTRE GARANTIE EN VIGUEUR POUR LE PRÉSENT PRODUIT. En vertu des lois de certains États ou provinces, il ne peut y avoir de garanties implicites de la part de Sauder et toutes les garanties implicites, Y COMPRIS TOUTE GARANTIE IMPLICITE DE COMMERCIALITÉ OU D'ADAPTATION À UN USAGE PARTICULIER sont déclinées partout où la loi l'autorise. DANS LA MESURE OÙ TOUTE GARANTIE IMPLICITE EST APPLICABLE, TOUTE GARANTIE IMPLICITE, Y COMPRIS TOUTE GARANTIE DE COMMERCIALITÉ OU D'ADAPTATION À UN USAGE PARTICULIER, EST LIMITÉE À LA DURÉE DE LA PRÉSENTE GARANTIE EXPRESSE ou à la période minimum autorisée par la loi, la période la plus courte étant retenue. Certains États ne permettant pas que des limites soient imposées quant à la durée d'une garantie implicite, la limite ci-dessus peut donc ne pas être applicable.

6. Pour toute question concernant la garantie ou toute demande de réclamation, consulter le site Web [www.sauder.com](http://www.sauder.com). Il est également possible de contacter Sauder en composant le 1.800.523.3987. Sauder peut exiger de soumettre les demandes de réclamation sous garantie par écrit à : Sauder Woodworking Co., 502 Middle Street, Archbold, OH 43502 USA. Veuillez joindre votre ticket de caisse ou toute autre preuve d'achat ainsi qu'une description spécifique du défaut de produit.

4. Esta Garantía sólo es aplicable a defectos garantizados que primeramente surjan y se informen a Sauder dentro del período de cobertura de garantía. La Garantía no puede ser transferida a propietarios o usuarios subsiguientes del producto, y ésta será inmediatamente invalidada en el caso que el producto sea revendido, transferido, arrendado o rentado a cualquier tercero u otra persona que no sea el comprador original.

5. NO HAY OTRA GARANTÍA APLICABLE A ESTE PRODUCTO. Bajo las leyes de ciertos estados, pueden no haber garantías implícitas de Sauder y se hace renuncia de responsabilidad de todas las garantías implícitas donde lo permita la ley, INCLUYENDO CUALQUIER GARANTÍA IMPLICITA DE MERCANTABILIDAD O DE APTITUD PARA UN PROPOSITO EN PARTICULAR. EN LA MEDIDA CUALQUIER GARANTÍA IMPLICITA ES APLICABLE, CUALESQUIERA GARANTÍAS IMPLICITAS, INCLUYENDO AQUELLA DE MERCANTABILIDAD O DE APTITUD PARA UN PROPOSITO EN PARTICULAR, SE LIMITAN EN DURACIÓN HASTA LA DURACIÓN DE ESTA GARANTÍA IMPLICITA o hasta el periodo mínimo permitido por la ley, la que sea más corta. Algunos estados no permiten limitaciones en cuanto a la duración de una garantía implícita, por eso la limitación arriba citada pueda no ser aplicable a usted.

6. Para solicitud de información o reclamación de Garantía, por favor, visite nuestro sitio Web [www.sauder.com](http://www.sauder.com). Usted también puede contactar a Sauder llamando al 1.800.523.3987. Sauder puede solicitar que las reclamaciones sean presentadas por escrito a: Sauder Woodworking Co., 502 Middle Street, Archbold, OH 43502 USA. Por favor incluya su recibo de venta u otra prueba de compra y una descripción detallada del defecto del producto.

# CONTACT US FIRST BEFORE MAKING ANY RETURNS TO THE RETAILER.

Dear Valued Customer:

Thanks so much for choosing Sauder® furniture. I hope the purchase and set up of your OfficeWorks solution was a positive experience and you feel good about the furniture you just built.

My grandfather, Erie Sauder, founded the company in 1934 and later invented and patented the first commercially successful ready-to-assemble tables. We strive to hold true to his core values of innovation, integrity, servanthood and stewardship.

Sauder products are made with environmentally responsible materials and world-class manufacturing processes. Our 2,000+ dedicated employees in Archbold, Ohio, along with our global manufacturing partners, are committed to providing you furniture with great value, style and quality.

From our family to you. Enjoy!



Kevin J. Sauder  
President/CEO

**If you need assistance**, please contact our award-winning, Ohio-based customer service team at **877-996-7539** Monday-Friday 8:30 a.m. to 5 p.m. EST (except holidays) or at **[sauder.com/commercial-office/service](http://sauder.com/commercial-office/service)**.

## Register your new product online

For immediate service, our website is available 24 hours per day, 7 days per week to register your product, access assembly tips and view other Sauder products. [sauder.com/commercial-office/service](http://sauder.com/commercial-office/service)



We would love to hear your opinion. Rate and review your OfficeWorks furniture solution on our website.



Make some connections.  
Share the story of your new office.



### General Conformity Certificate

1. This certificate applies to the Sauder Woodworking Product identified by this Instruction Book.
2. This certificate applies to compliance of this product with the CPSC Ban on Lead-Containing Paint (16 CFR 1303).
3. This product is manufactured by:  
Sauder Woodworking Company  
502 Middle St.  
Archbold, OH 43502  
419-446-2711
4. Date of Manufacture: \_\_\_\_\_

OFFICE  
WORKS | BY SAUDER®

 **Made in USA**  
with U.S. and imported materials