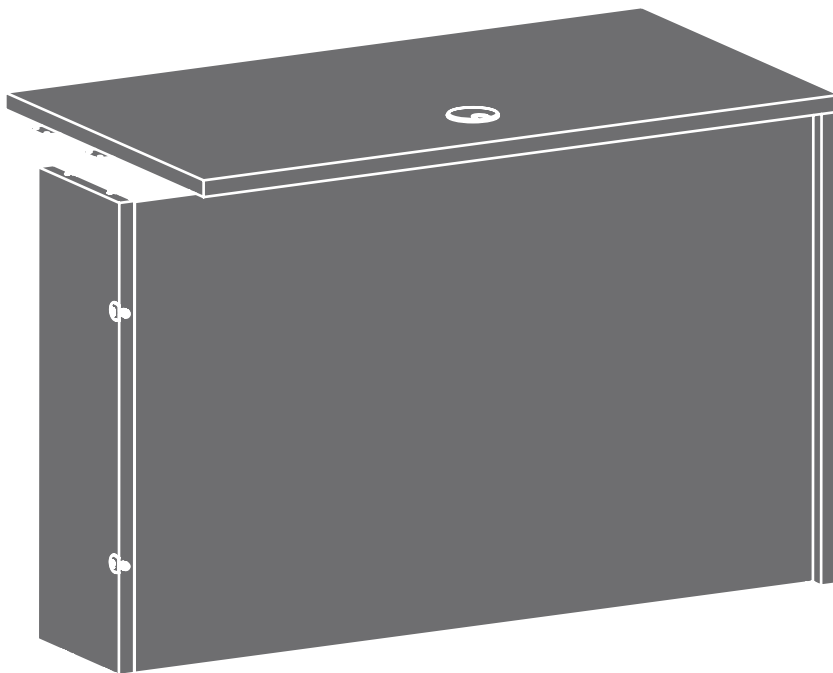


CONTACT US FIRST BEFORE MAKING ANY RETURNS TO THE RETAILER.

How can we help you? To reach our customer service, visit [sauder.com/officeservice](https://www.sauder.com/officeservice) to chat with a live rep or email us.

Prefer the phone? Give us a ring at 877-996-7539.

Our award-winning team is available Monday-Friday - 9 a.m. to 5:30 p.m. EST (except holidays).



AFFIRM COLLECTION

Desk Return 42"

Hudson Elm finish | Model 427413

Sauder.com

Share your journey!



NOTE: THIS INSTRUCTION BOOKLET CONTAINS **IMPORTANT** SAFETY INFORMATION.

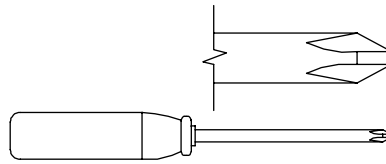
PLEASE READ AND KEEP FOR FUTURE REFERENCE.

English pg 1-46
Français pg 47-53
Español pg 54-60

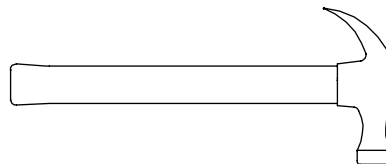
Lot # 566772
Purchased: _____

08/23/21

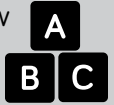
Part Identification	3
Hardware Identification	4
Hardware Usage Guide	8, 28
Assembly Steps	5-46
Français	47-53
Español	54-60
Safety	61-62
Warranty	63



No. 2 Phillips Screwdriver
Tip Shown Actual Size

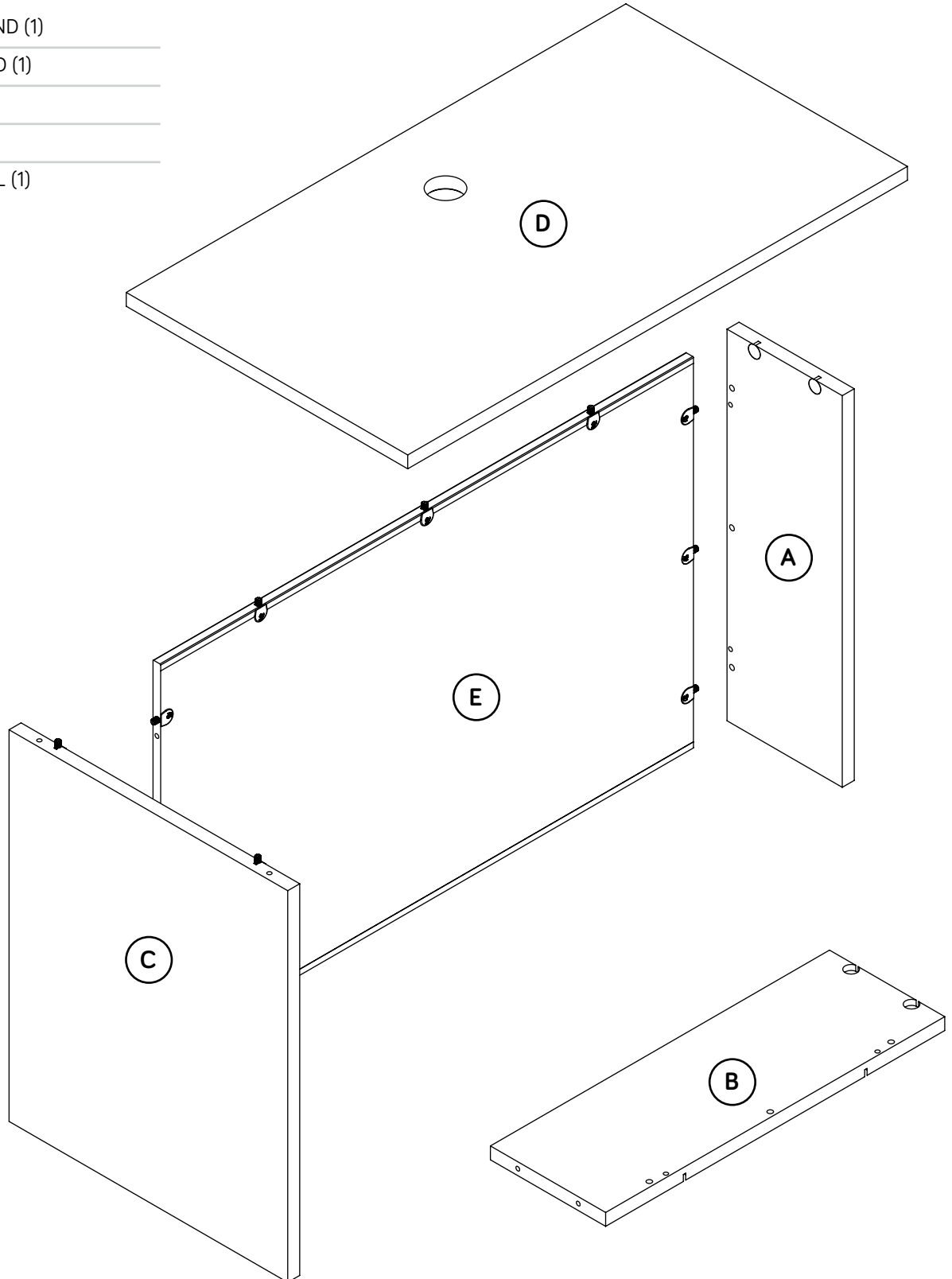


Hammer
Not actual size 😊



† While not all parts are labeled, some of the parts will have a label or an inked letter on the edge to help distinguish similar parts from each other. Use this part identification to help identify similar parts.

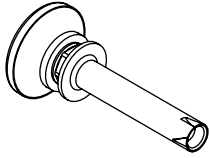
A	SMALL RIGHT END (1)
B	SMALL LEFT END (1)
C	LARGE END (1)
D	TOP (1)
E	MODESTY PANEL (1)



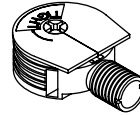
Hardware Identification

† Screws are shown actual size. You may receive extra hardware with your unit.

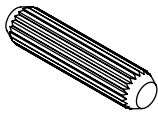
46E LEVELER - 6



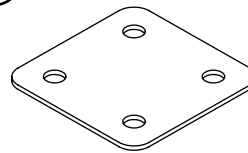
37F TWIST-LOCK® FASTENER - 8



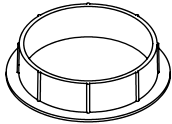
42F WOOD DOWEL - 8



41G PLATE - 2



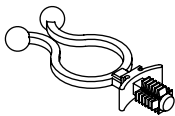
2P GROMMET - 1



3P GROMMET CAP - 1



9P CORD CLIP - 2



98P LARGE HOLE PLUG - 3



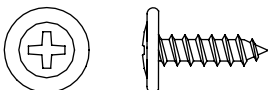
105P TWIST-LOCK® FASTENER COVER - 19



107P SMALL HOLE PLUG - 2



1S BLACK 9/16" LARGE HEAD SCREW - 8



Optional Accessories (sold separately)

✦ This piece of furniture accommodates one or more of the following optional accessories (sold separately).

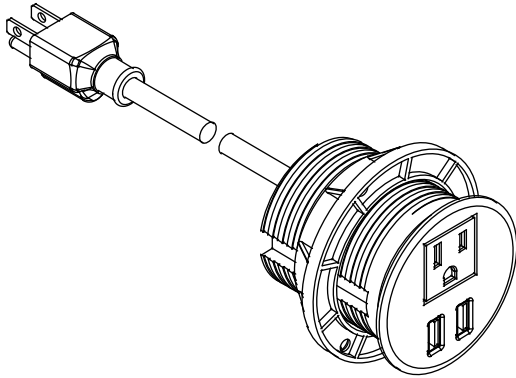
✦ **Powered Grommet (Item 427829)**

The Powered Grommet is designed to replace any existing grommet provided with your furniture.

✦ To purchase the Powered Grommet, scan this QR code.



(Or go to sauder.com)



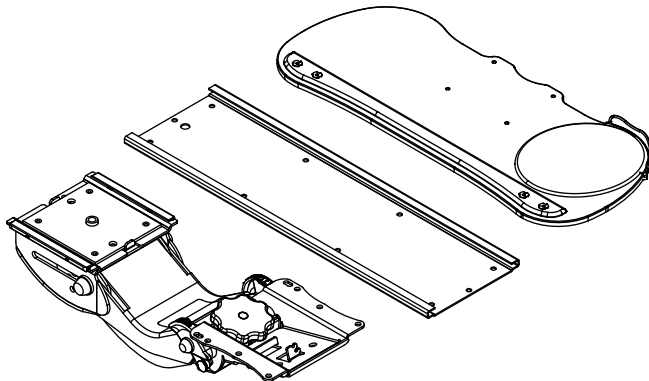
✦ **Articulating Keyboard Shelf (Item 426468)**

The Articulating Keyboard Shelf is designed to be fastened to the underside of your desk, desk return, or credenza top.

✦ To purchase the Articulating Keyboard Shelf, scan this QR code.



(Or go to sauder.com)



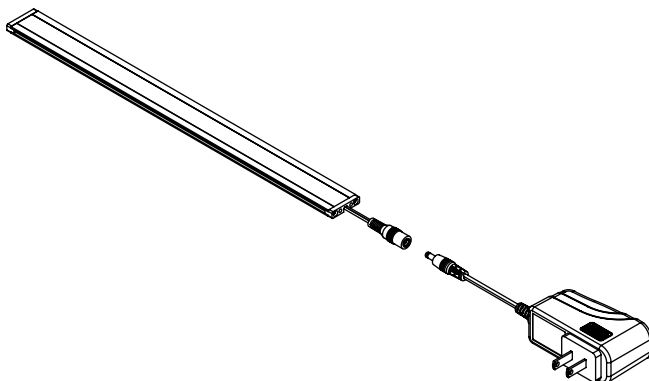
✦ **LED Light (Item 426494)**

The LED Light is designed to be fastened to the underside of a hutch.

✦ To purchase the LED Light, scan this QR code.




(Or go to sauder.com)

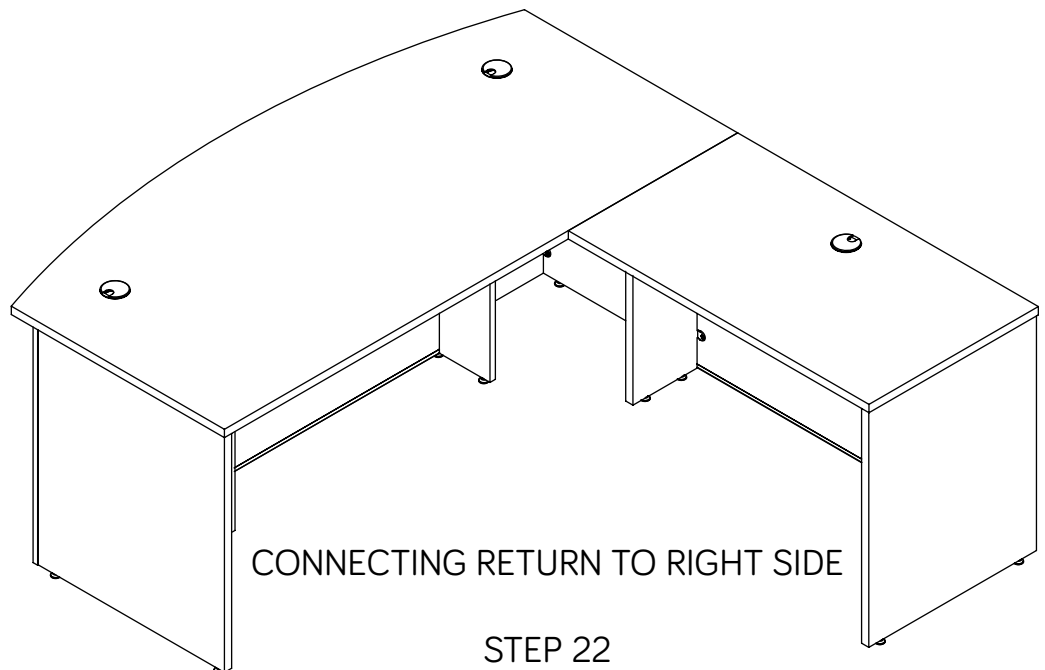
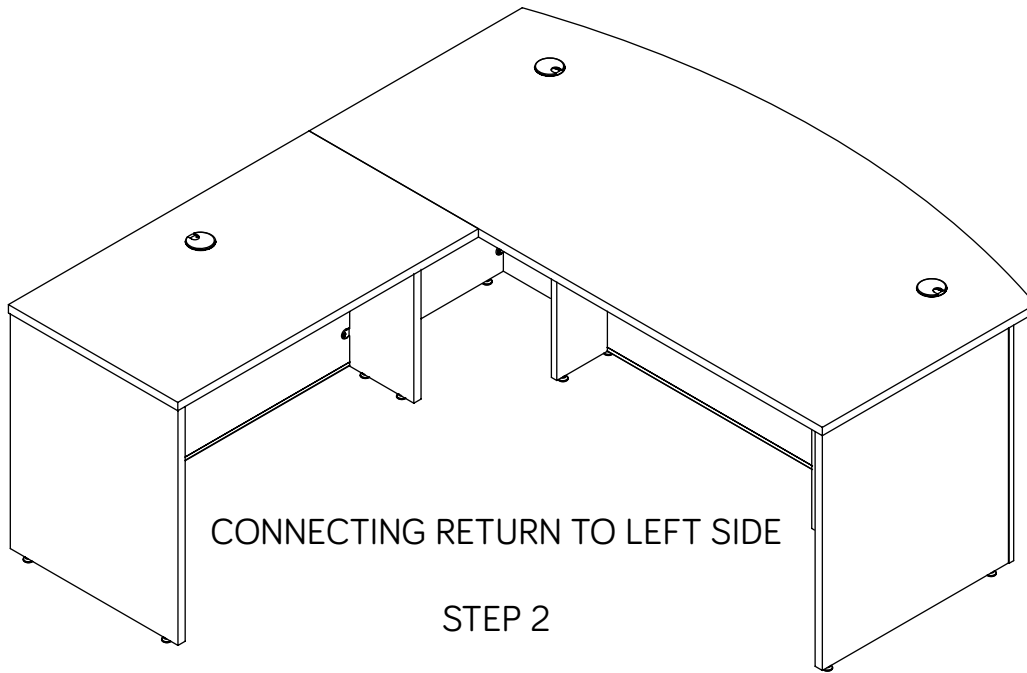


Step 1

Look for this icon. It means a video assembly tip is available at www.sauder.com/service/tips
Find the numbered video or scan the QR code.

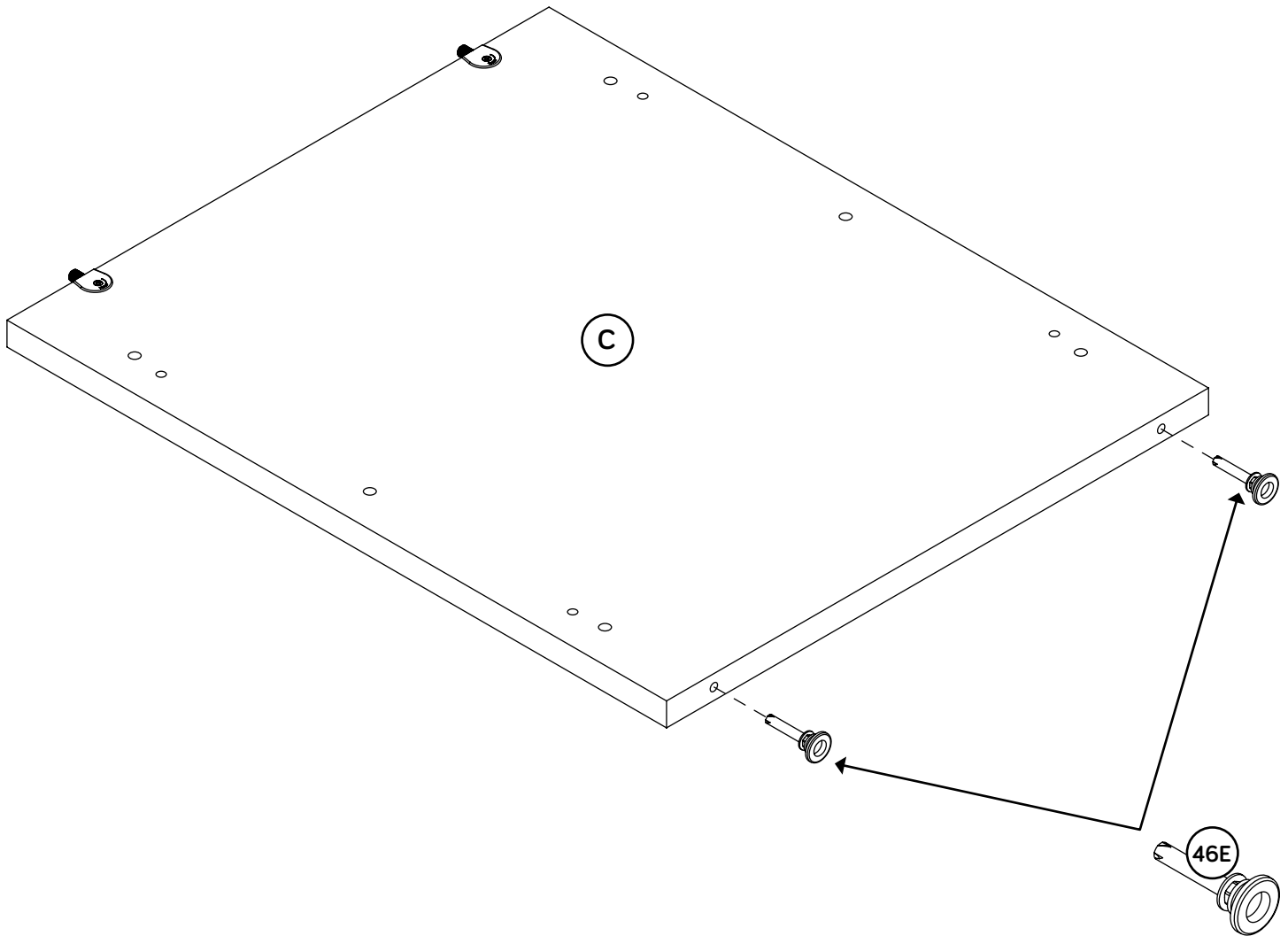


 You have the option to assemble the Return to connect on the LEFT or RIGHT. If you want the Return to connect to the left side, go to Step 2. If you want the Return to connect to the right side, go to Step 22.



Step 2

- ✚ Assemble your unit on a carpeted floor or on the empty carton to avoid scratching your unit or the floor.
- ✚ Using your hammer, gently tap two LEVELERS (46E) completely into the holes in the LARGE END (C).
- ✚ NOTE: Adjustments to the LEVELERS will be made later in assembly once your unit is standing upright.

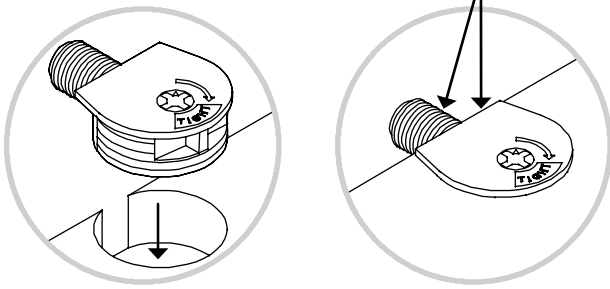


Hardware Usage Guide

HOW TO USE A TWIST-LOCK® FASTENER

1.

If the TWIST-LOCK® FASTENER is already inserted in the part, be sure both the dowel end and fastener edge are straight.



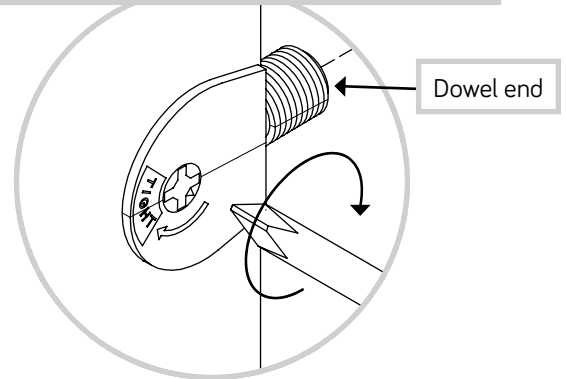
Push a TWIST-LOCK® FASTENER into the large hole in the part.

2.

1. Insert the dowel end of the FASTENER into the hole of the adjoining part.

NOTE: The dowel end of the FASTENER must remain fully inserted in the hole of the adjoining part while locking the FASTENER.

2. Tighten the FASTENER with a Phillips screwdriver as tight as possible.



Step 3

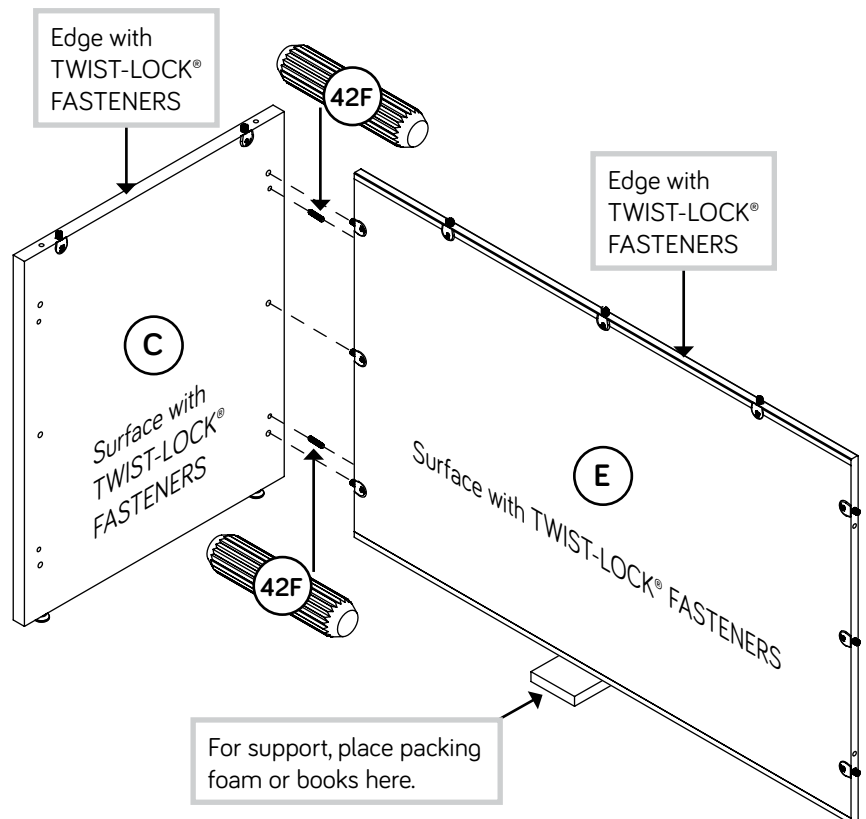


✚ Insert two WOOD DOWELS (42F) into the LARGE END (C).

✚ **NOTE:** You may need to gently tap the WOOD DOWELS in with your hammer.

✚ Fasten the LARGE END (C) to the MODESTY PANEL (E). Tighten three TWIST-LOCK® FASTENERS.


✚ **NOTE:** Be sure the WOOD DOWELS in the LARGE END insert into the MODESTY PANEL.

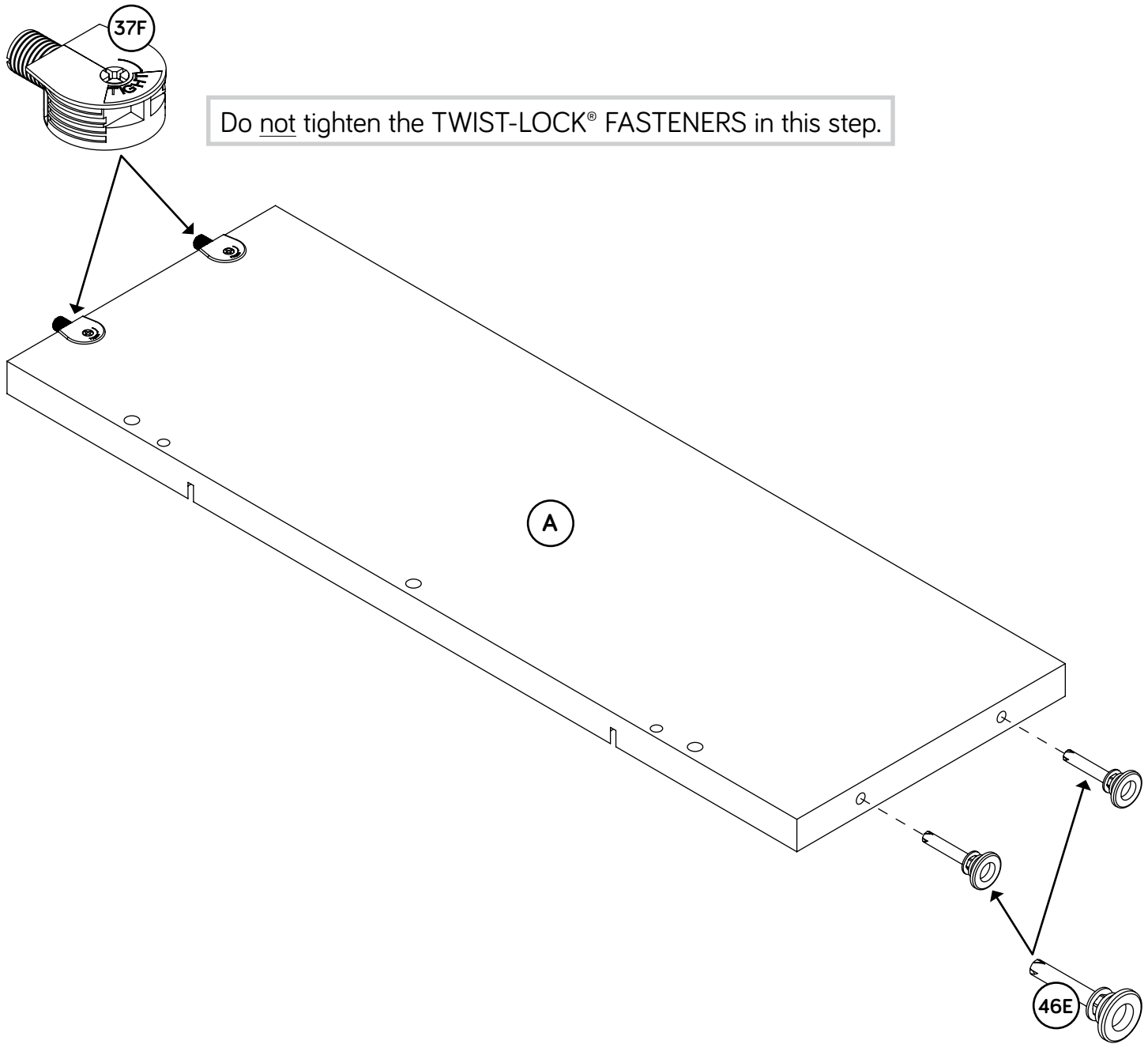


Step 4



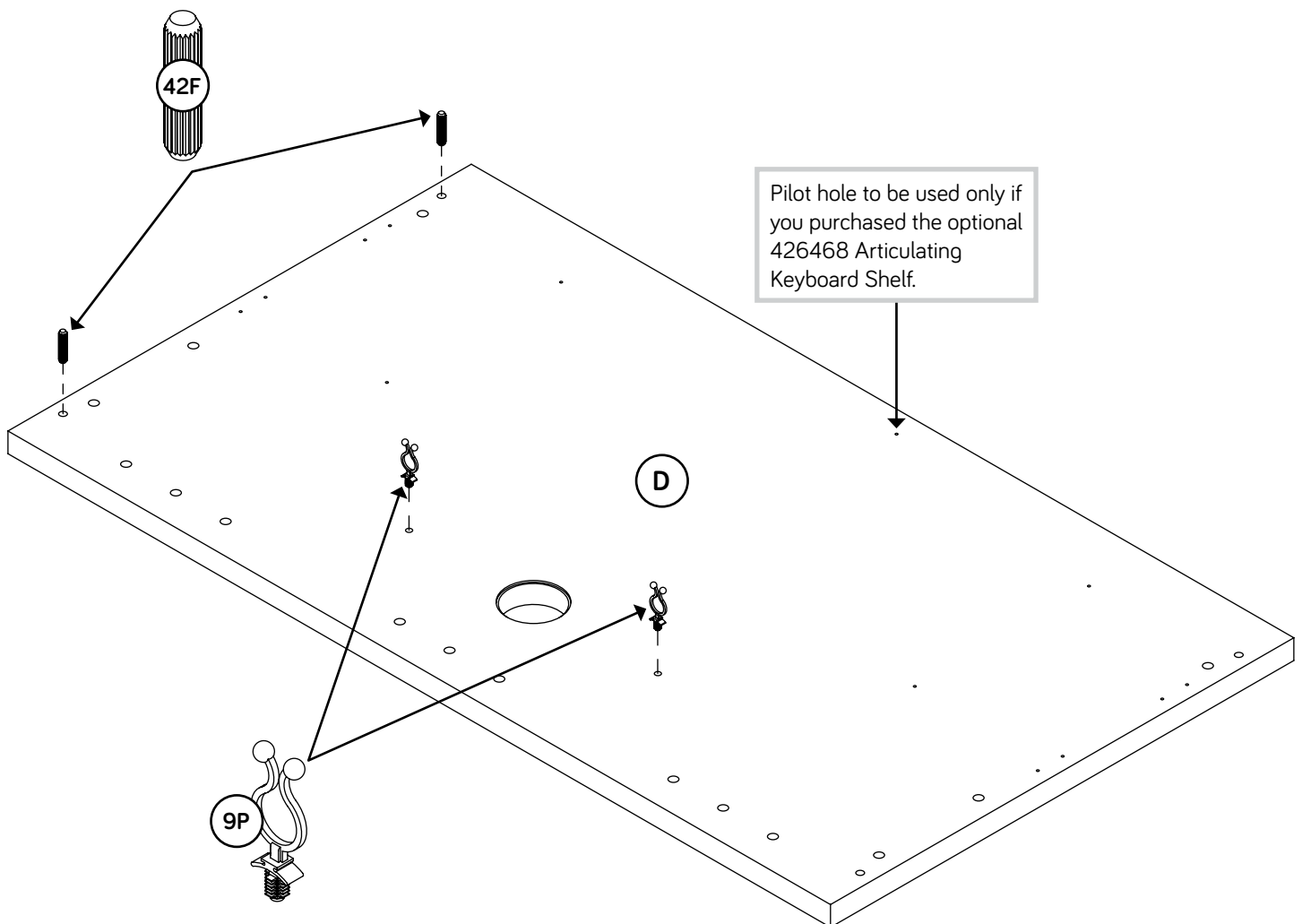
- ✚ Push two SAUDER TWIST-LOCK® FASTENERS (37F) into the large holes in the SMALL RIGHT END (A).
- ✚ Using your hammer, gently tap two LEVELERS (46E) completely into the holes in the SMALL RIGHT END (A).
- ✚ NOTE: Adjustments to the LEVELERS will be made later in assembly once your unit is standing upright.

 Just think. The sooner you do this, the sooner you do something else.



Step 5

- ✚ Insert two WOOD DOWELS (42F) into the TOP (D).
- ✚ **NOTE:** You may need to gently tap the WOOD DOWELS in with your hammer.
- ✚ Push two CORD CLIPS (9P) into the holes in the TOP (D).



Step 6

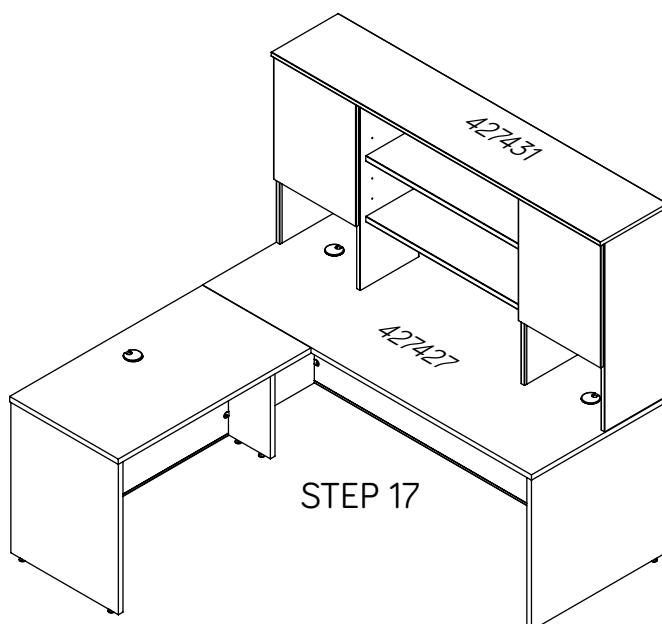
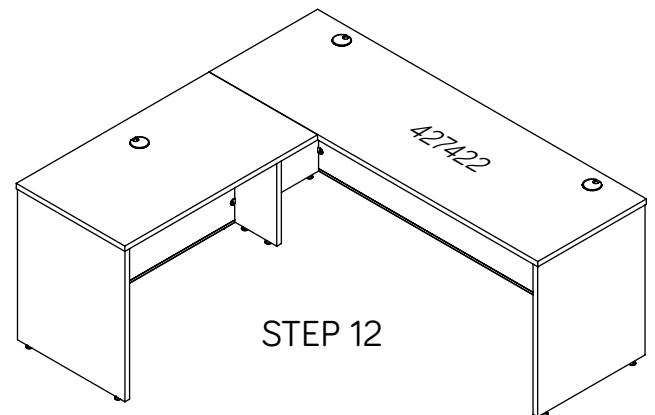
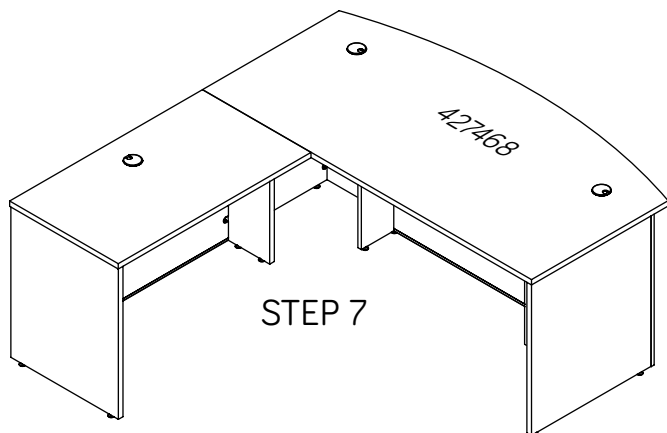
✚ You have the option to assemble the Return to connect to the following desks: 427468, 427422, and 427427.

✚ If you are fastening the Return to the 427468 Desk, go to Step 7.

✚ If you are fastening the Return to the 427422 Desk, go to Step 12.

✚ If you are fastening the Return to the 427427 Desk, go to Step 17.

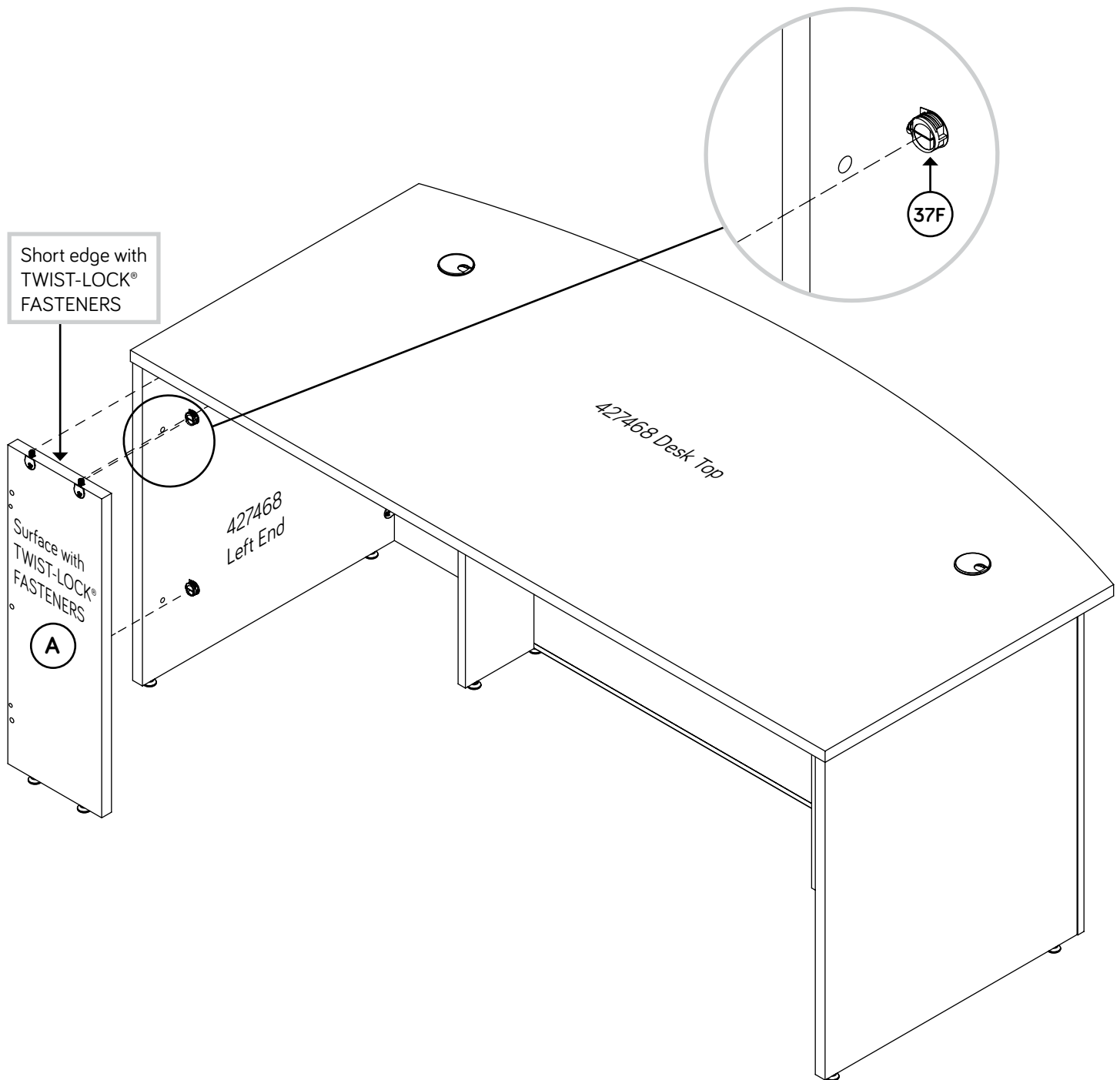
CONNECTING RETURN TO LEFT SIDE



Step 7

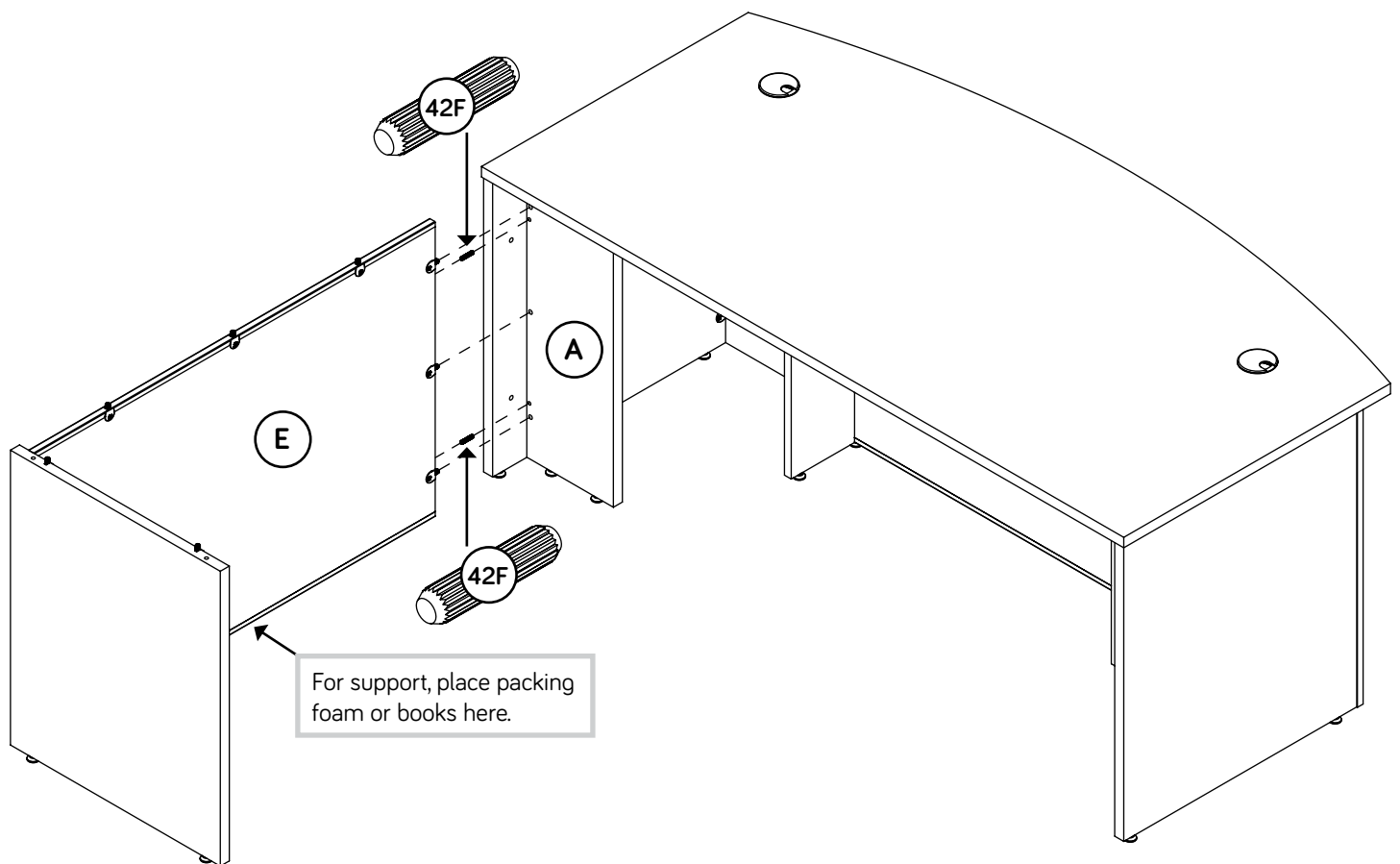


- ✦ Insert the dowel end of two TWIST-LOCK® FASTENERS (37F) into the 427468 Left End as shown in the enlarged diagram.
- ✦ **NOTE:** If you already pushed TWIST-LOCK® FASTENERS into the holes in the long edge of the SMALL RIGHT END (A), pull the FASTENERS back out of the holes. Pull at the front and back edges, slowly working the FASTENERS out of the holes.
- ✦ Insert the TWIST-LOCK® FASTENERS in the short edge of the SMALL RIGHT END (A) into the 427468 Desk Top, and push the SMALL RIGHT END (A) onto the TWIST-LOCK® FASTENERS in the 427468 Left End. Fasten the SMALL RIGHT END (A) to the Desk Top and Left End. Tighten four TWIST-LOCK® FASTENERS.



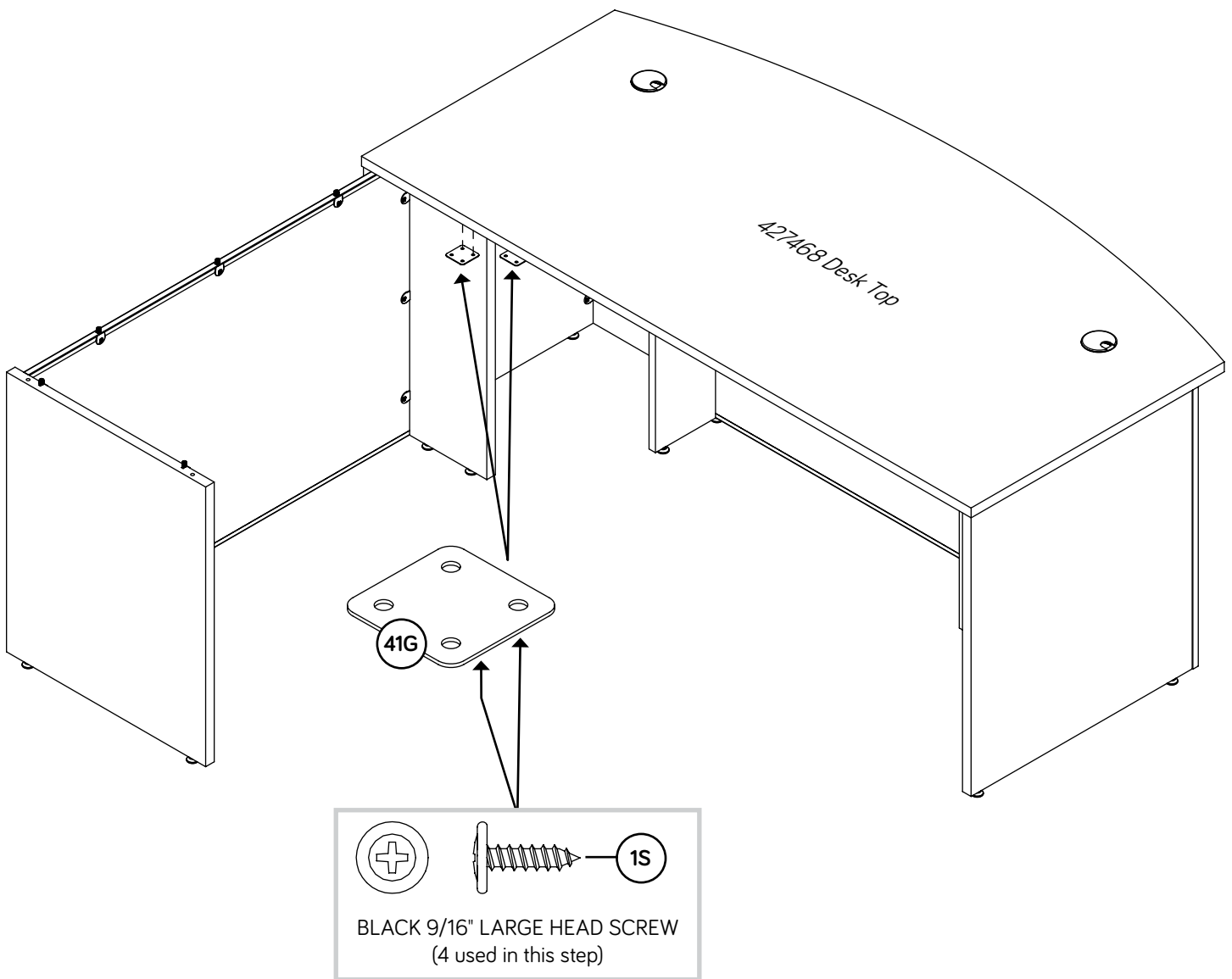
Step 8

- 🔩 **NOTE:** You will need someone's help in this step.
- 🔩 Insert two WOOD DOWELS (42F) into the SMALL RIGHT END (A).
- 🔩 **NOTE:** You may need to gently tap the WOOD DOWELS in with your hammer.
- 🔩 Fasten the MODESTY PANEL (E) to the SMALL RIGHT END (A). Tighten three TWIST-LOCK® FASTENERS.
- 🔩 **NOTE:** Be sure the WOOD DOWELS in the SMALL RIGHT END insert into the MODESTY PANEL.



Step 9

- Fasten the PLATES (41G) to the 427468 Desk Top. Use four BLACK 9/16" LARGE HEAD SCREWS (1S).



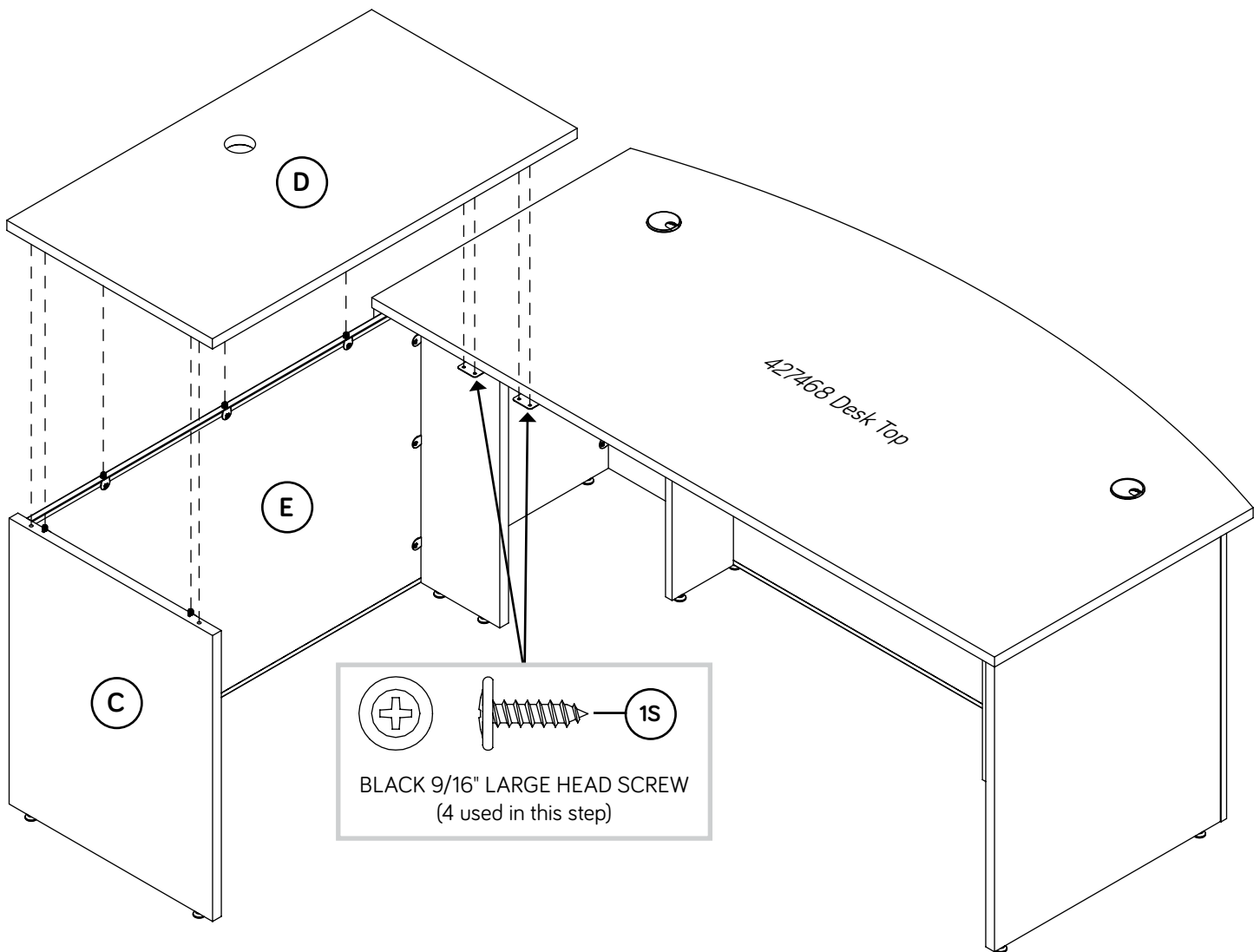
Step 10








Fasten the TOP (D) to the LARGE END (C) and MODESTY PANEL (E). Tighten five TWIST-LOCK® FASTENERS.

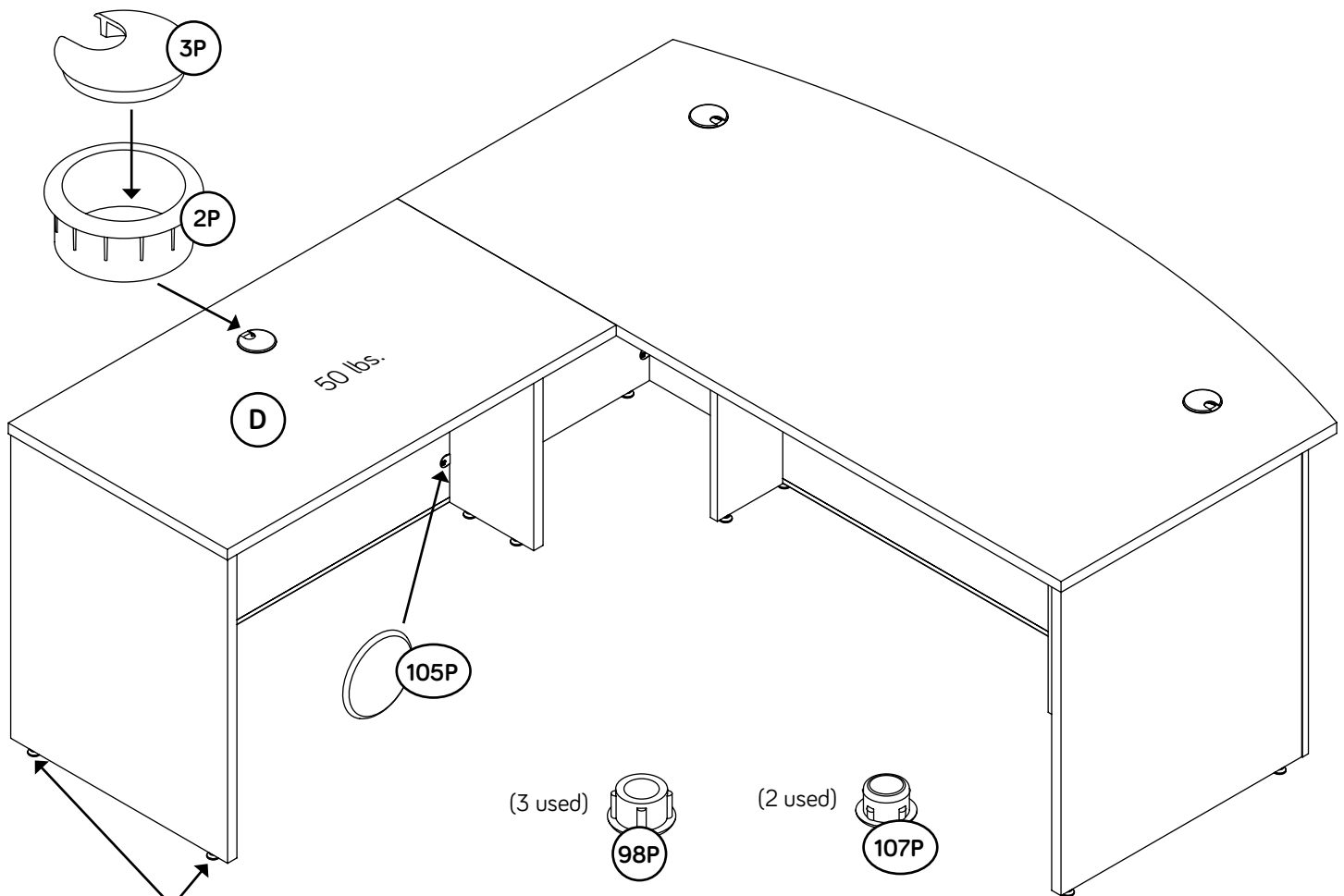
NOTE: Be sure the WOOD DOWELS in the TOP insert into the LARGE END.

Fasten the TOP (D) to the 427468 Desk Top. Use four BLACK 9/16" LARGE HEAD SCREWS (1S).



Step 11

- ✚ Insert the GROMMET (2P) and GROMMET CAP (3P) into the large hole in the TOP (D).
 - ✚ Insert the HOLE PLUGS (98P and 107P) into any unused holes.
 - ✚ Using your hammer, gently tap a TWIST-LOCK® FASTENER COVER (105P) onto each visible TWIST-LOCK® FASTENER.
 - ✚ Your unit may need leveling. To raise a corner of your unit, rotate the LEVELER downward. To lower a corner of your unit, rotate the LEVELER upward.
 - ✚ **NOTE:** Please read the back pages of the instruction booklet for important safety information.
 - ✚ This completes assembly. Clean with a damp cloth. Wipe dry.
- ★ **And to celebrate, why not share your success story at sauder.com or**     

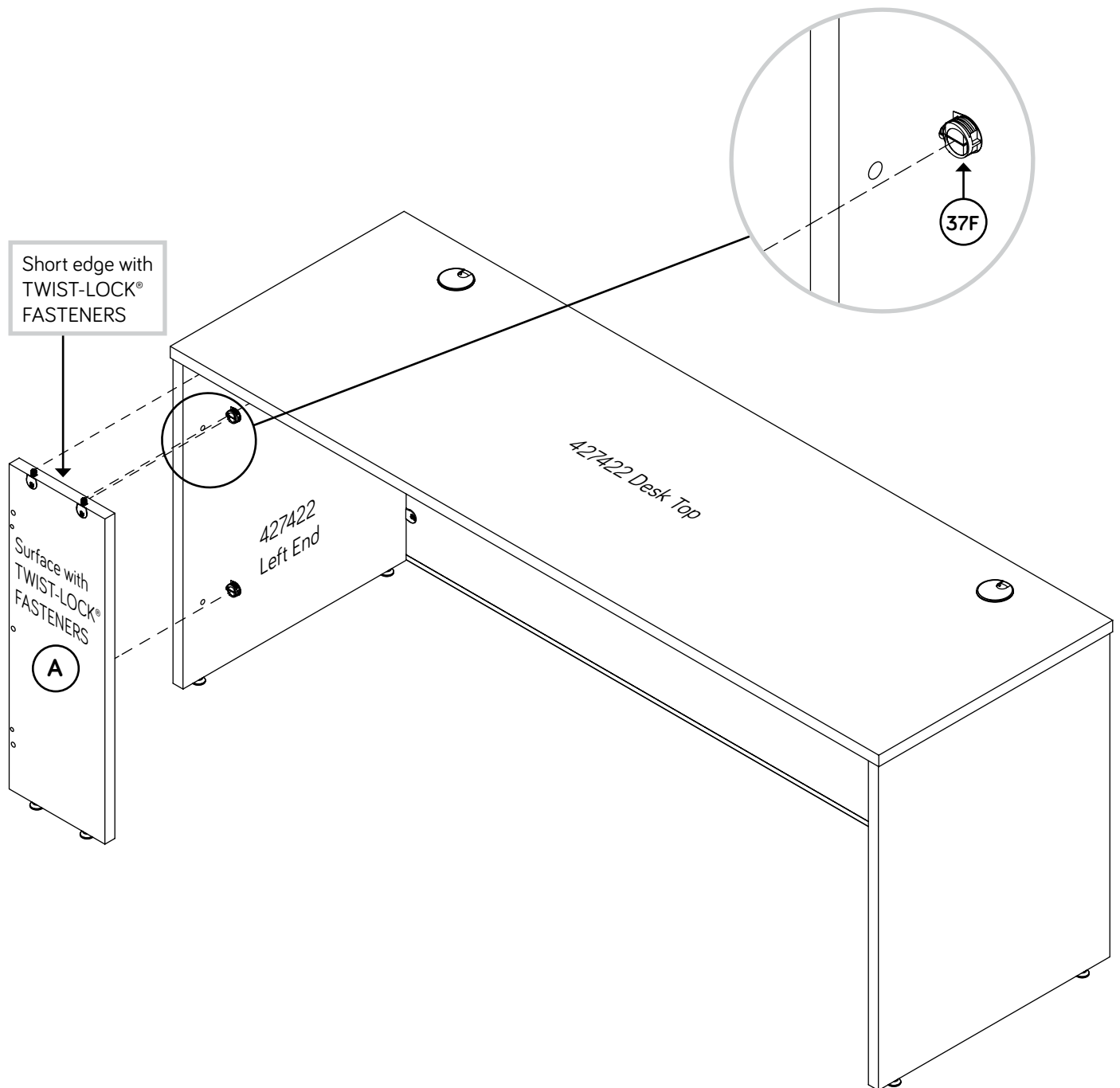


To raise a corner of your unit, rotate the LEVELER downward. To lower a corner of your unit, rotate the LEVELER upward.

Step 12



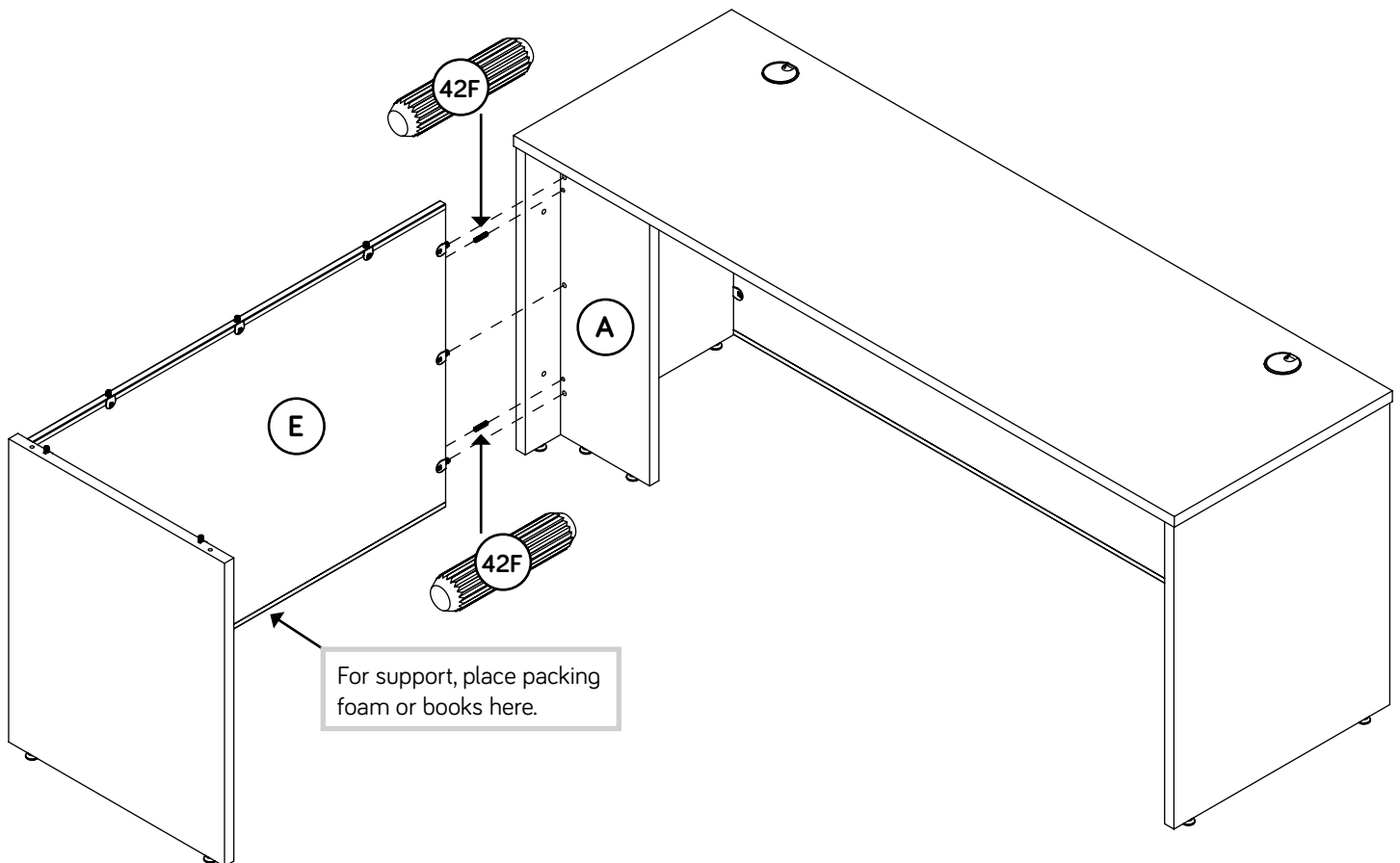
- ✚ Insert the dowel end of two TWIST-LOCK® FASTENERS (37F) into the 427422 Left End as shown in the enlarged diagram.
- ✚ NOTE: If you already pushed TWIST-LOCK® FASTENERS into the holes in the long edge of the SMALL RIGHT END (A), pull the FASTENERS back out of the holes. Pull at the front and back edges, slowly working the FASTENERS out of the holes.
- ✚ Insert the TWIST-LOCK® FASTENERS in the short edge of the SMALL RIGHT END (A) into the 427422 Desk Top, and push the SMALL RIGHT END (A) onto the TWIST-LOCK® FASTENERS in the 427422 Left End. Fasten the SMALL RIGHT END (A) to the Desk Top and Left End. Tighten four TWIST-LOCK® FASTENERS.



Step 13

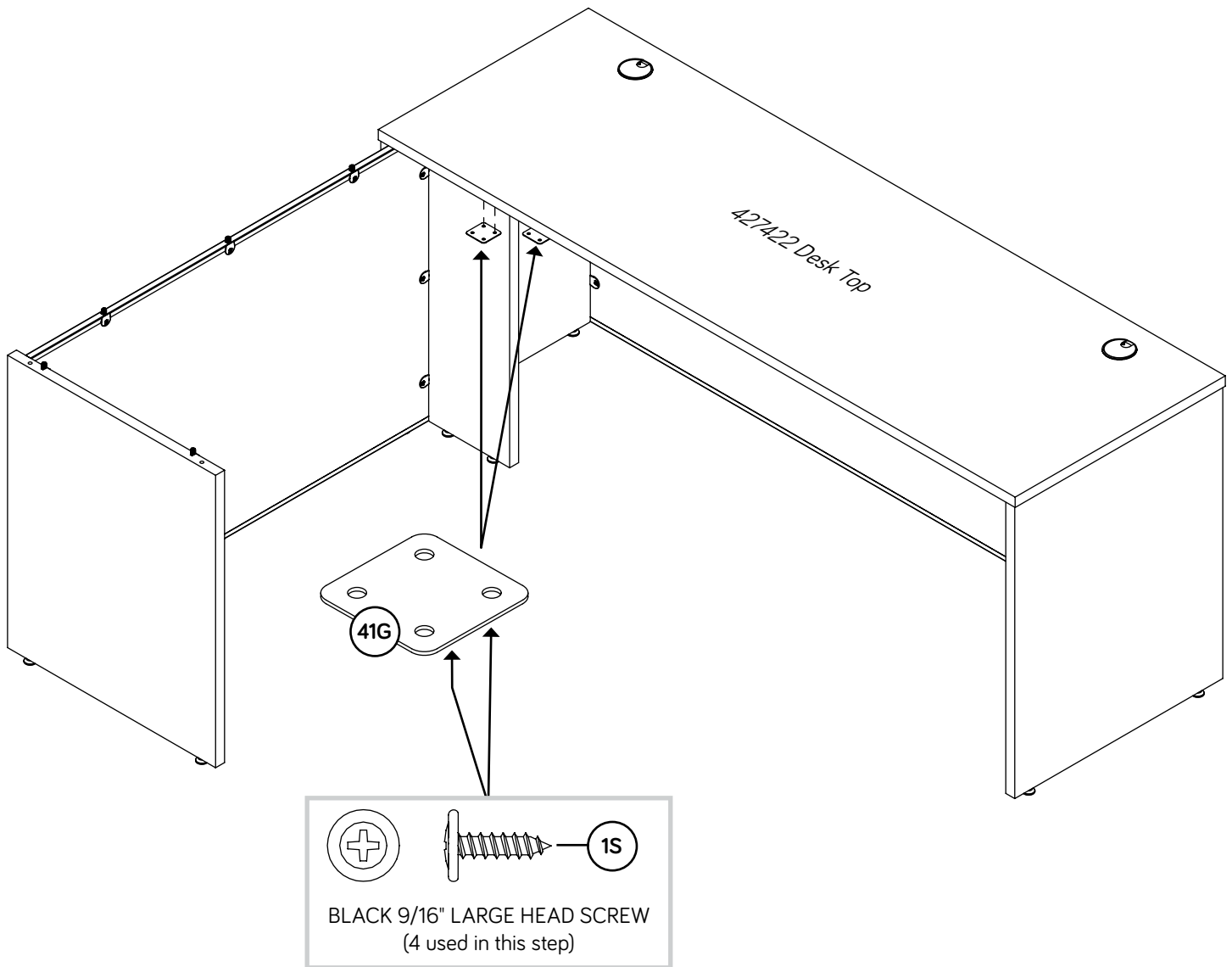


- 🔩 **NOTE:** You will need someone's help in this step.
- 🔩 Insert two WOOD DOWELS (42F) into the SMALL RIGHT END (A).
- 🔩 **NOTE:** You may need to gently tap the WOOD DOWELS in with your hammer.
- 🔩 Fasten the MODESTY PANEL (E) to the SMALL RIGHT END (A). Tighten three TWIST-LOCK® FASTENERS.
- 🔩 **NOTE:** Be sure the WOOD DOWELS in the SMALL RIGHT END insert into the MODESTY PANEL.



Step 14

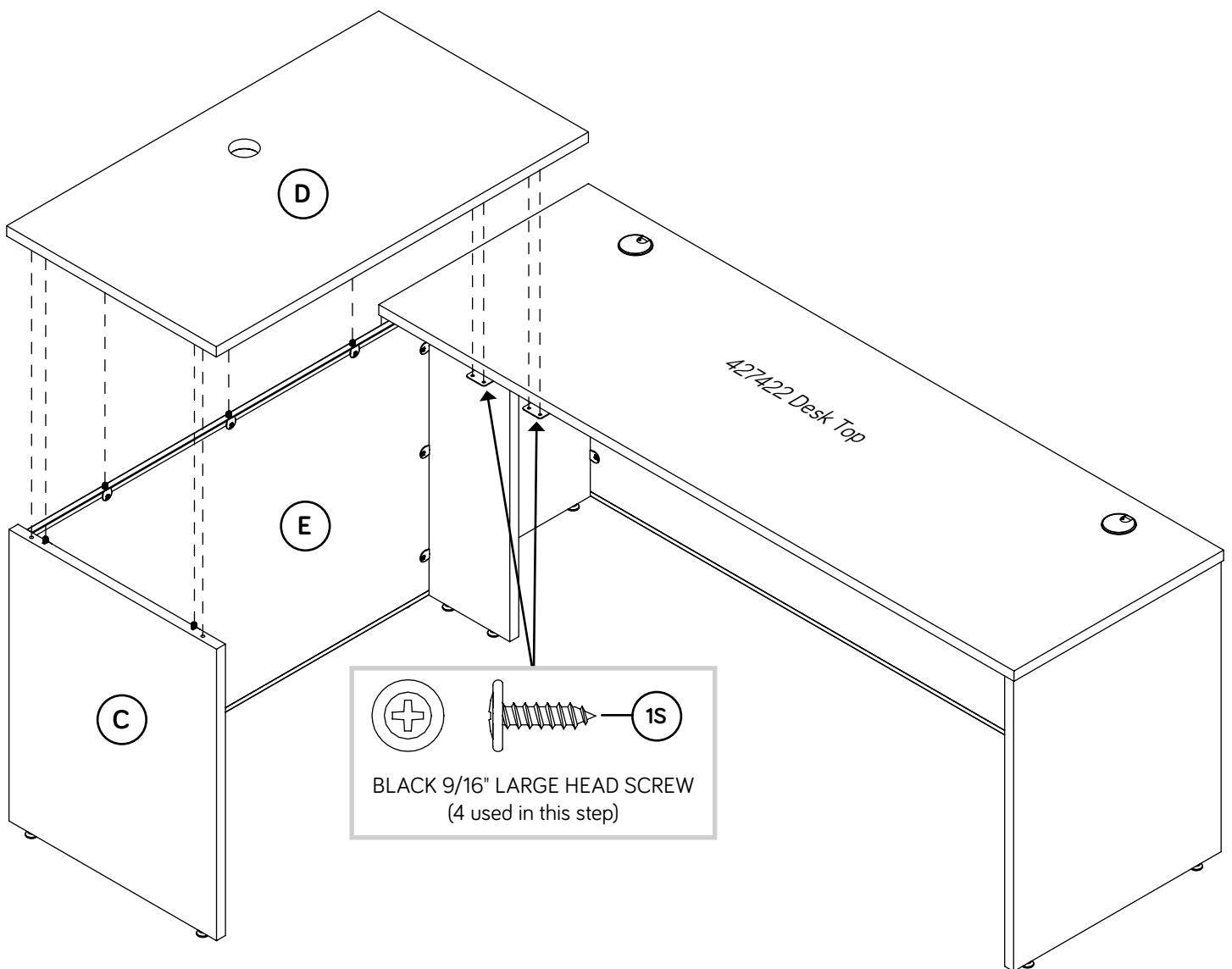
- Fasten the PLATES (41G) to the 427422 Desk Top. Use four BLACK 9/16" LARGE HEAD SCREWS (1S).








Step 15

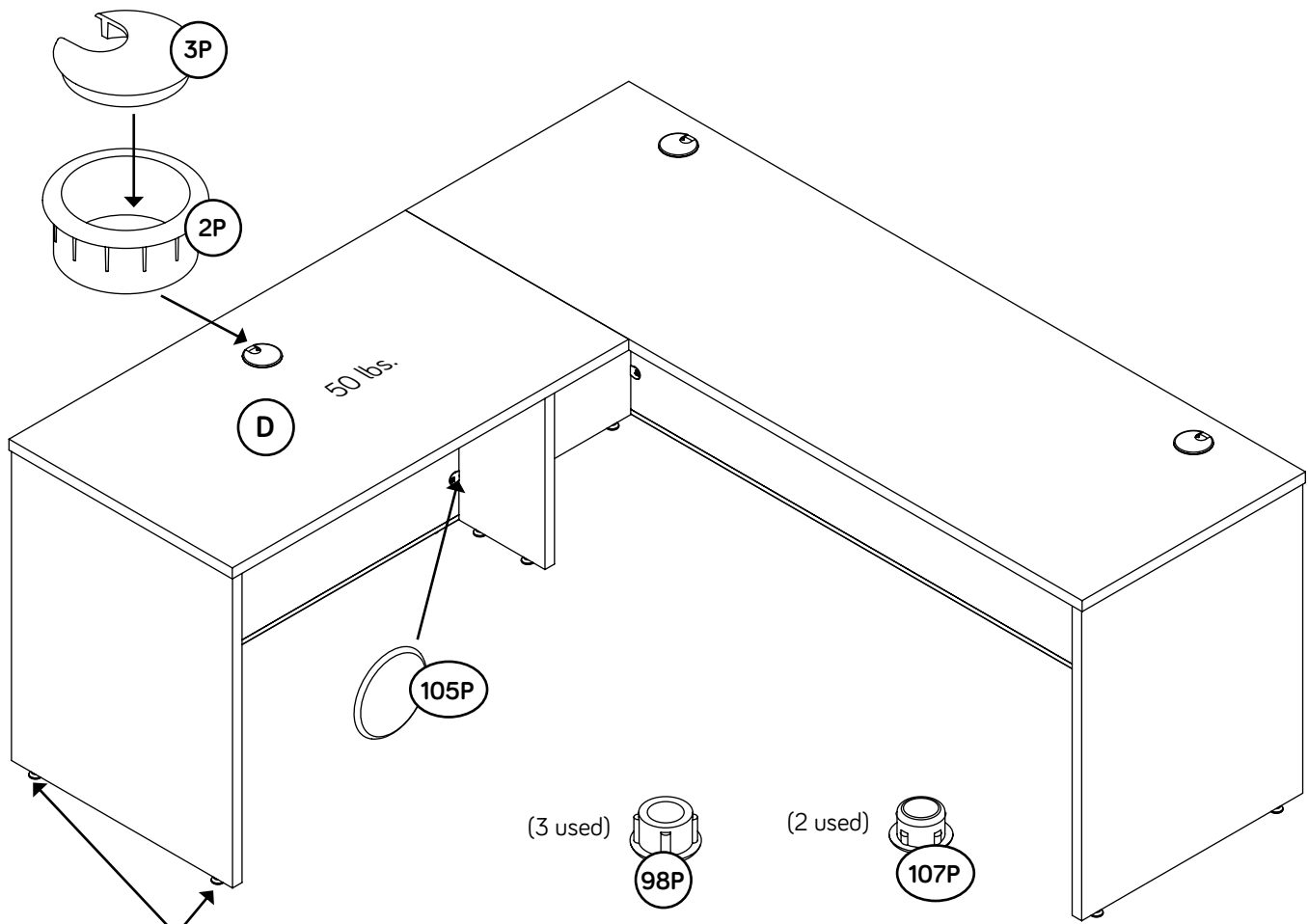


- Fasten the TOP (D) to the LARGE END (C) and MODESTY PANEL (E). Tighten five TWIST-LOCK® FASTENERS.
- NOTE:** Be sure the WOOD DOWELS in the TOP insert into the LARGE END.
- Fasten the TOP (D) to the 427422 Desk Top. Use four BLACK 9/16" LARGE HEAD SCREWS (1S).



Step 16

- ✚ Insert the GROMMET (2P) and GROMMET CAP (3P) into the large hole in the TOP (D).
 - ✚ Insert the HOLE PLUGS (98P and 107P) into any unused holes.
 - ✚ Using your hammer, gently tap a TWIST-LOCK® FASTENER COVER (105P) onto each visible TWIST-LOCK® FASTENER.
 - ✚ Your unit may need leveling. To raise a corner of your unit, rotate the LEVELER downward. To lower a corner of your unit, rotate the LEVELER upward.
 - ✚ **NOTE:** Please read the back pages of the instruction booklet for important safety information.
 - ✚ This completes assembly. Clean with a damp cloth. Wipe dry.
- ★ **And to celebrate, why not share your success story at sauder.com or**     

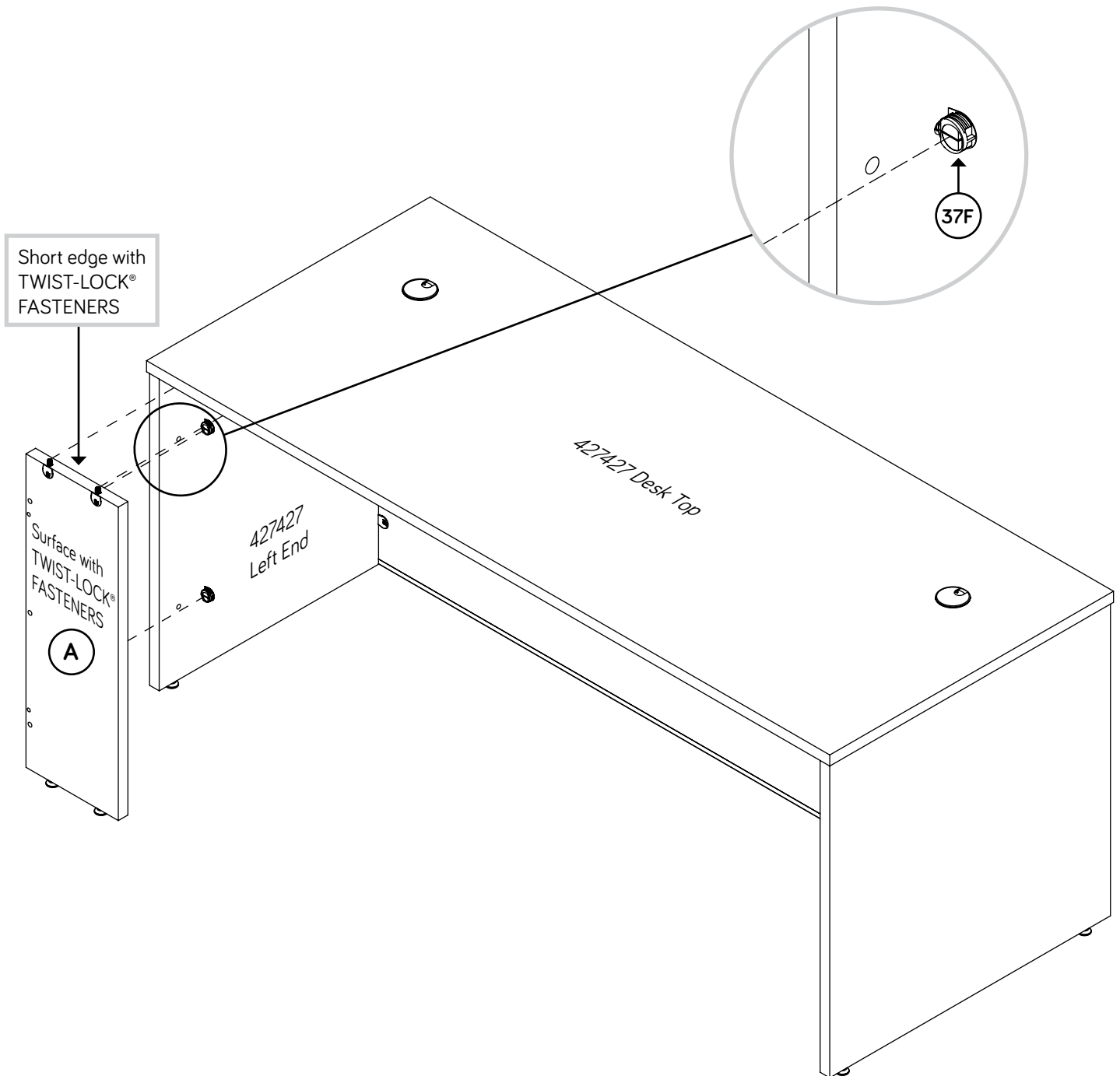


To raise a corner of your unit, rotate the LEVELER downward. To lower a corner of your unit, rotate the LEVELER upward.

Step 17



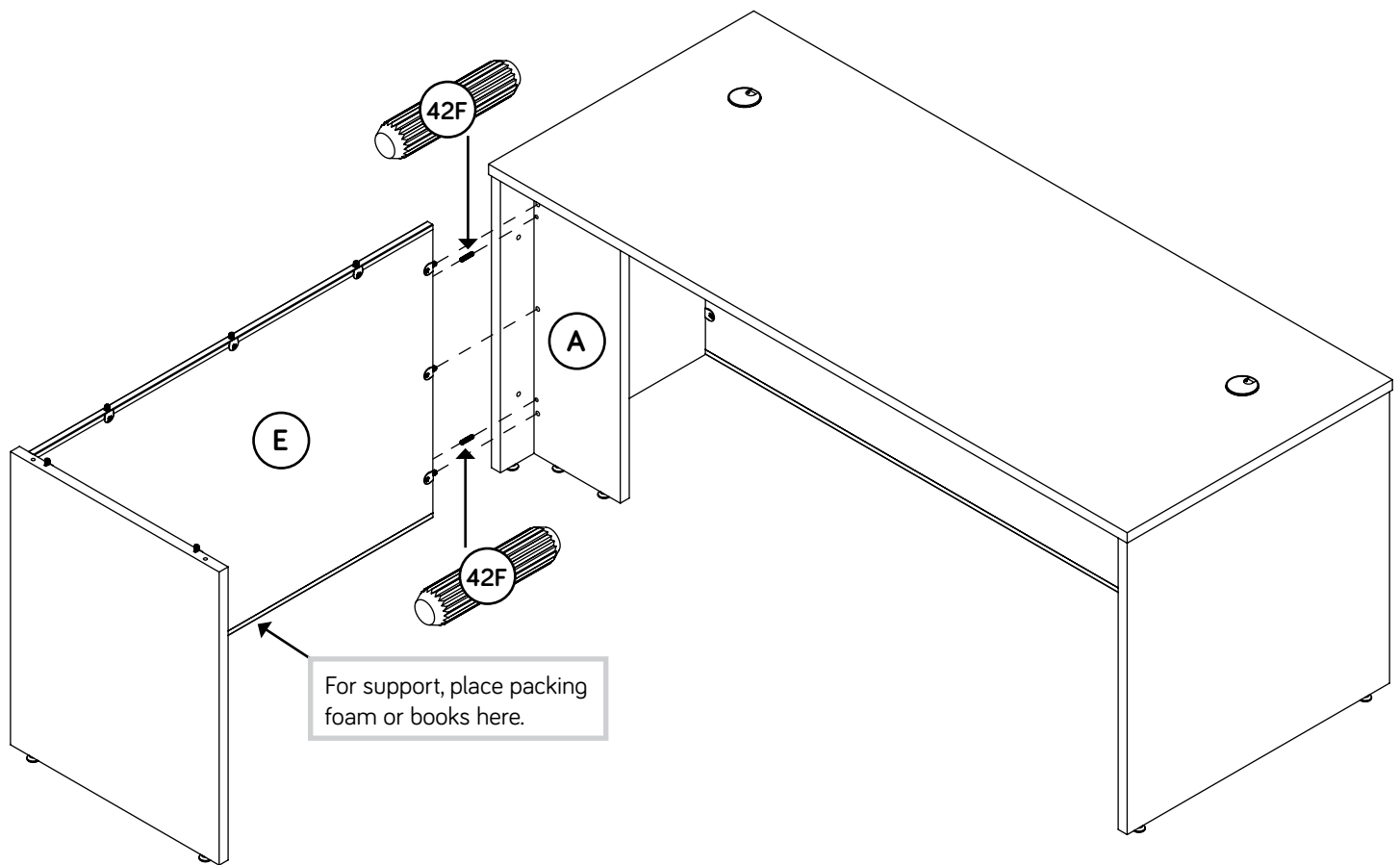
- ✚ Insert the dowel end of two TWIST-LOCK® FASTENERS (37F) into the 427427 Left End as shown in the enlarged diagram.
- ✚ **NOTE:** If you already pushed TWIST-LOCK® FASTENERS into the holes in the long edge of the SMALL RIGHT END (A), pull the FASTENERS back out of the holes. Pull at the front and back edges, slowly working the FASTENERS out of the holes.
- ✚ Insert the TWIST-LOCK® FASTENERS in the short edge of the SMALL RIGHT END (A) into the 427427 Desk Top, and push the SMALL RIGHT END (A) onto the TWIST-LOCK® FASTENERS in the 427427 Left End. Fasten the SMALL RIGHT END (A) to the Desk Top and Left End. Tighten four TWIST-LOCK® FASTENERS.



Step 18

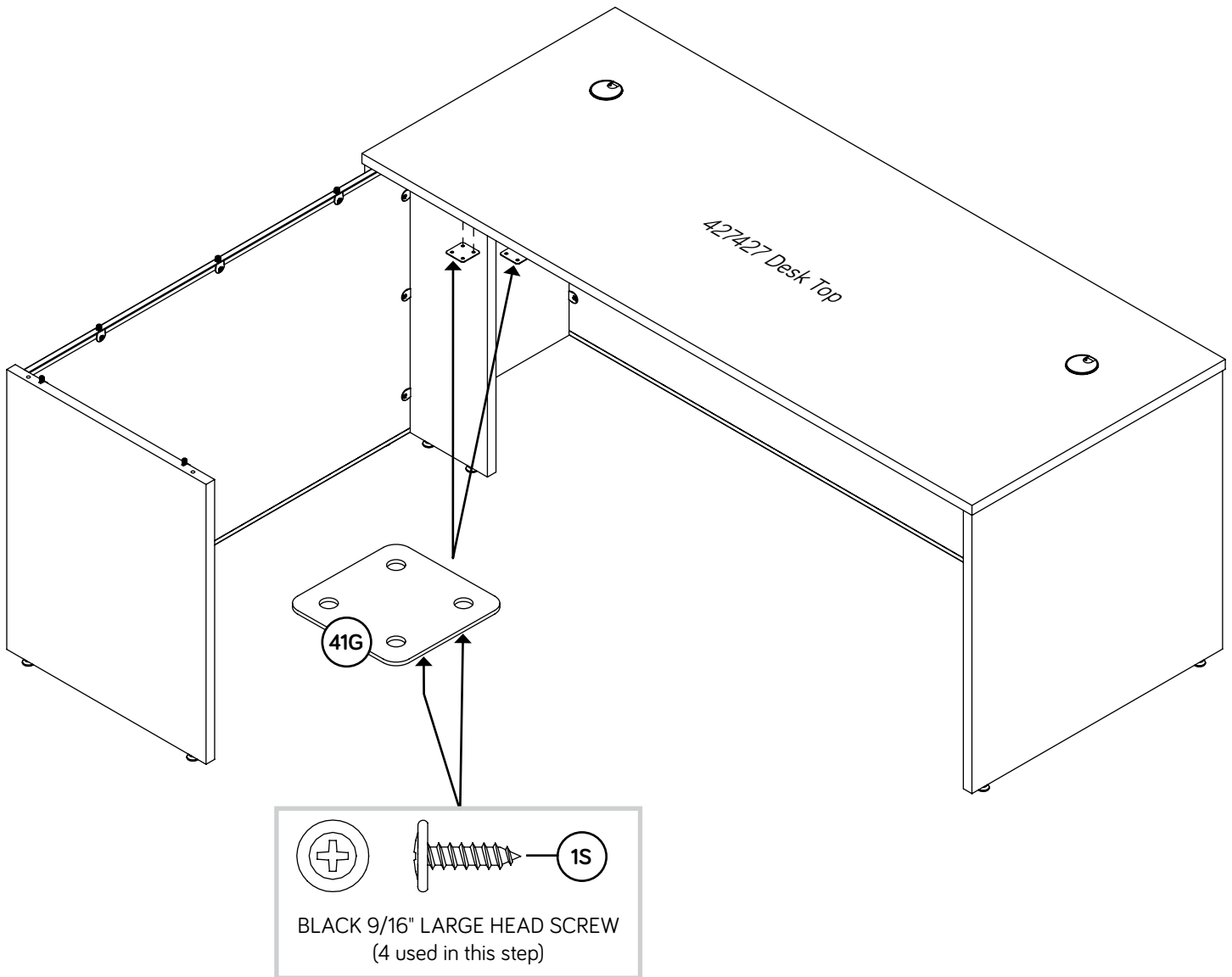


- ⚡ **NOTE:** You will need someone's help in this step.
- ⚡ Insert two WOOD DOWELS (42F) into the SMALL RIGHT END (A).
- ⚡ **NOTE:** You may need to gently tap the WOOD DOWELS in with your hammer.
- ⚡ Fasten the MODESTY PANEL (E) to the SMALL RIGHT END (A). Tighten three TWIST-LOCK® FASTENERS.
- ⚡ **NOTE:** Be sure the WOOD DOWELS in the SMALL RIGHT END insert into the MODESTY PANEL.



Step 19

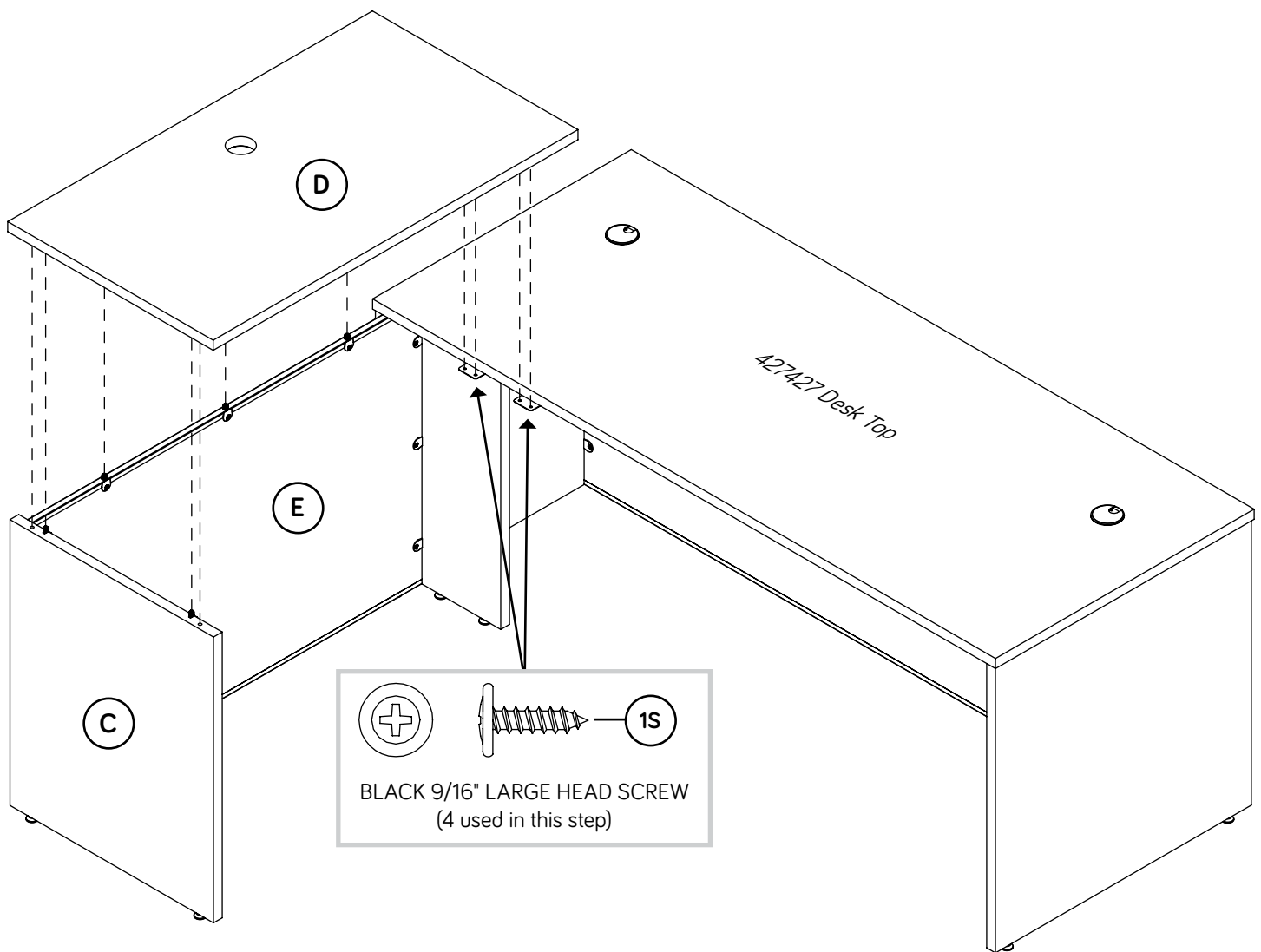
- Fasten the PLATES (41G) to the 427427 Desk Top. Use four BLACK 9/16" LARGE HEAD SCREWS (1S).








Step 20

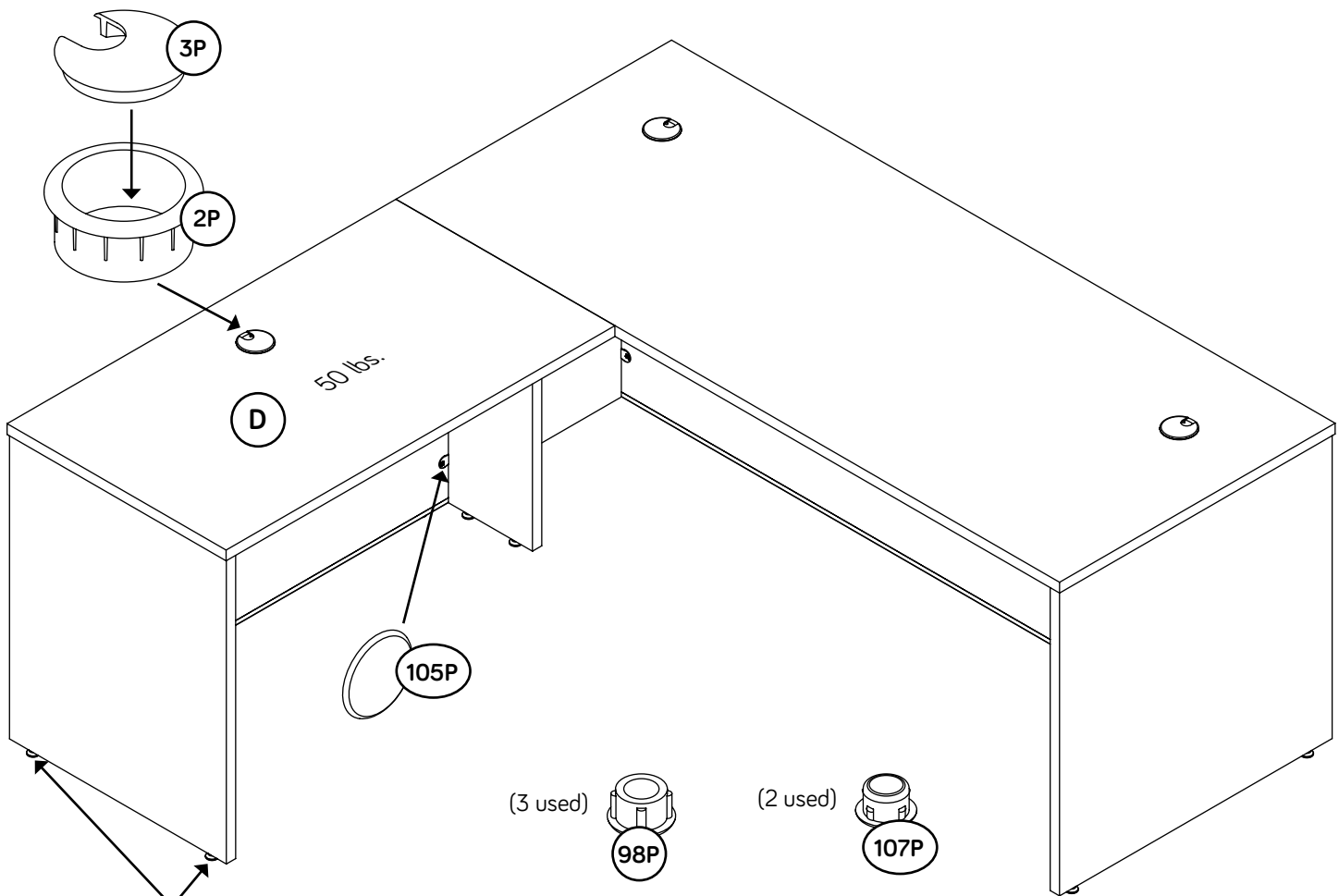


- Fasten the TOP (D) to the LARGE END (C) and MODESTY PANEL (E). Tighten five TWIST-LOCK® FASTENERS.
- NOTE:** Be sure the WOOD DOWELS in the TOP insert into the LARGE END.
- Fasten the TOP (D) to the 427427 Desk Top. Use four BLACK 9/16" LARGE HEAD SCREWS (1S).



Step 21

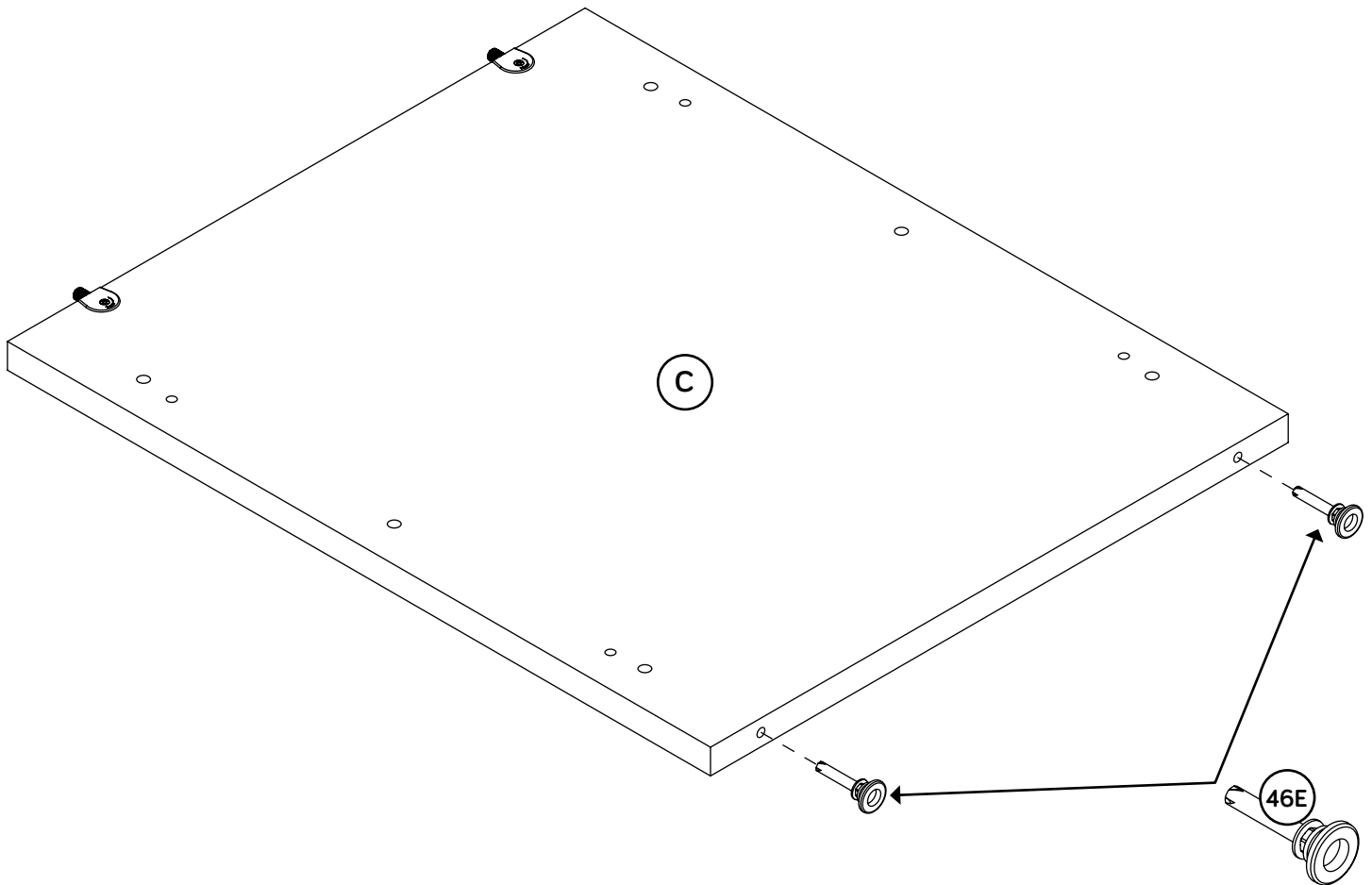
- ✚ Insert the GROMMET (2P) and GROMMET CAP (3P) into the large hole in the TOP (D).
 - ✚ Insert the HOLE PLUGS (98P and 107P) into any unused holes.
 - ✚ Using your hammer, gently tap a TWIST-LOCK® FASTENER COVER (105P) onto each visible TWIST-LOCK® FASTENER.
 - ✚ Your unit may need leveling. To raise a corner of your unit, rotate the LEVELER downward. To lower a corner of your unit, rotate the LEVELER upward.
 - ✚ **NOTE:** Please read the back pages of the instruction booklet for important safety information.
 - ✚ This completes assembly. Clean with a damp cloth. Wipe dry.
- ★ **And to celebrate, why not share your success story at sauder.com or**     



To raise a corner of your unit, rotate the LEVELER downward. To lower a corner of your unit, rotate the LEVELER upward.

Step 22

- ✚ Assemble your unit on a carpeted floor or on the empty carton to avoid scratching your unit or the floor.
- ✚ Using your hammer, gently tap two LEVELERS (46E) completely into the holes in the LARGE END (C).
- ✚ NOTE: Adjustments to the LEVELERS will be made later in assembly once your unit is standing upright.

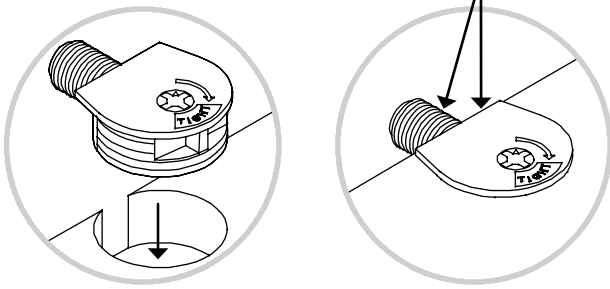


Hardware Usage Guide

HOW TO USE A TWIST-LOCK® FASTENER

1.

If the TWIST-LOCK® FASTENER is already inserted in the part, be sure both the dowel end and fastener edge are straight.



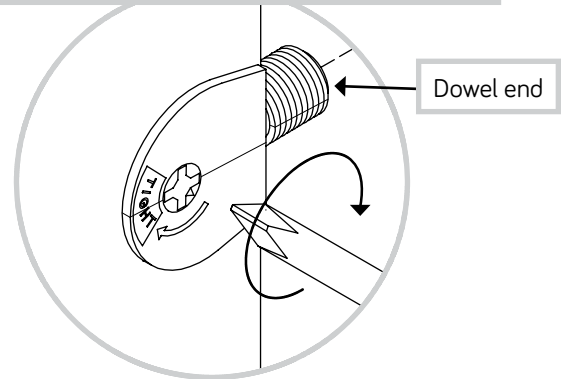
Push a TWIST-LOCK® FASTENER into the large hole in the part.

2.

1. Insert the dowel end of the FASTENER into the hole of the adjoining part.

NOTE: The dowel end of the FASTENER must remain fully inserted in the hole of the adjoining part while locking the FASTENER.

2. Tighten the FASTENER with a Phillips screwdriver as tight as possible.



Step 23

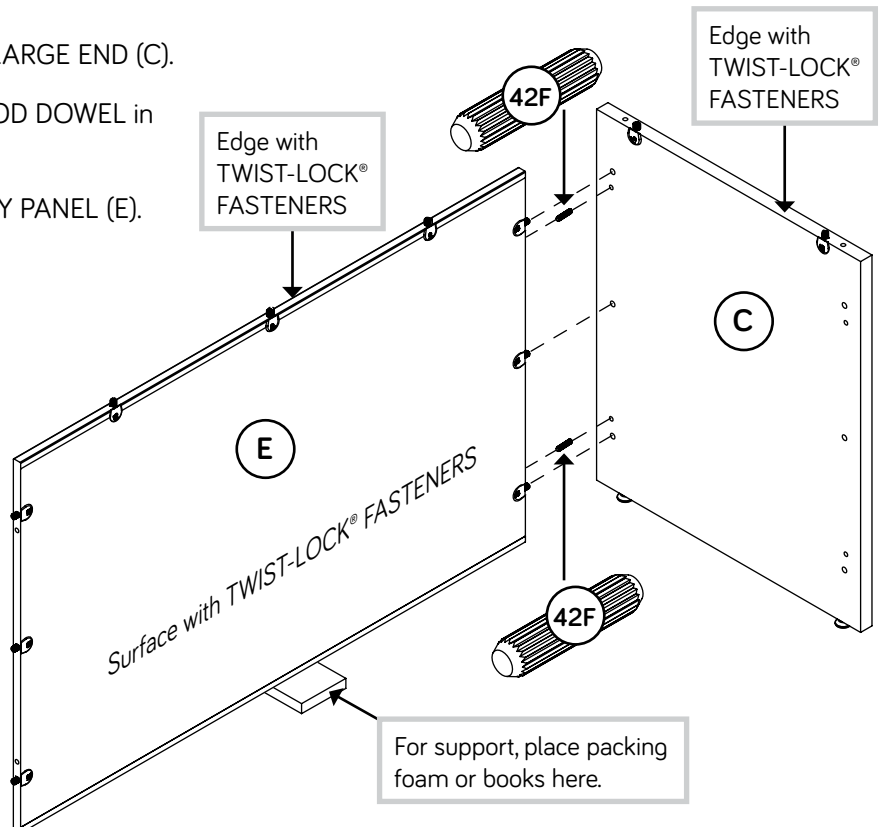


✚ Insert two WOOD DOWELS (42F) into the LARGE END (C).

✚ **NOTE:** You may need to gently tap the WOOD DOWEL in with your hammer.

✚ Fasten the LARGE END (C) to the MODESTY PANEL (E). Tighten three TWIST-LOCK® FASTENERS.


✚ **NOTE:** Be sure the WOOD DOWELS in the LARGE END insert into the MODESTY PANEL.

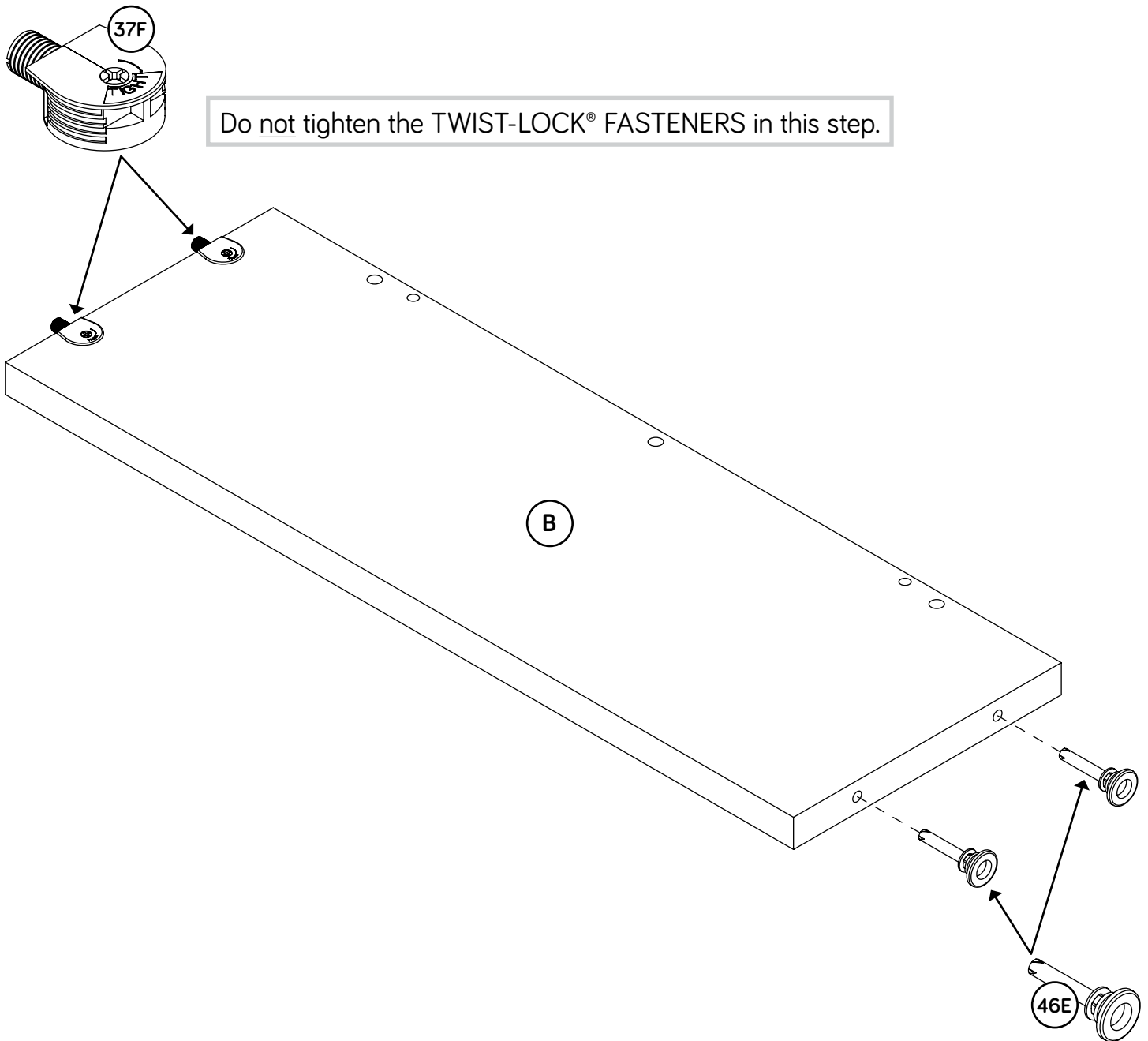


Step 24



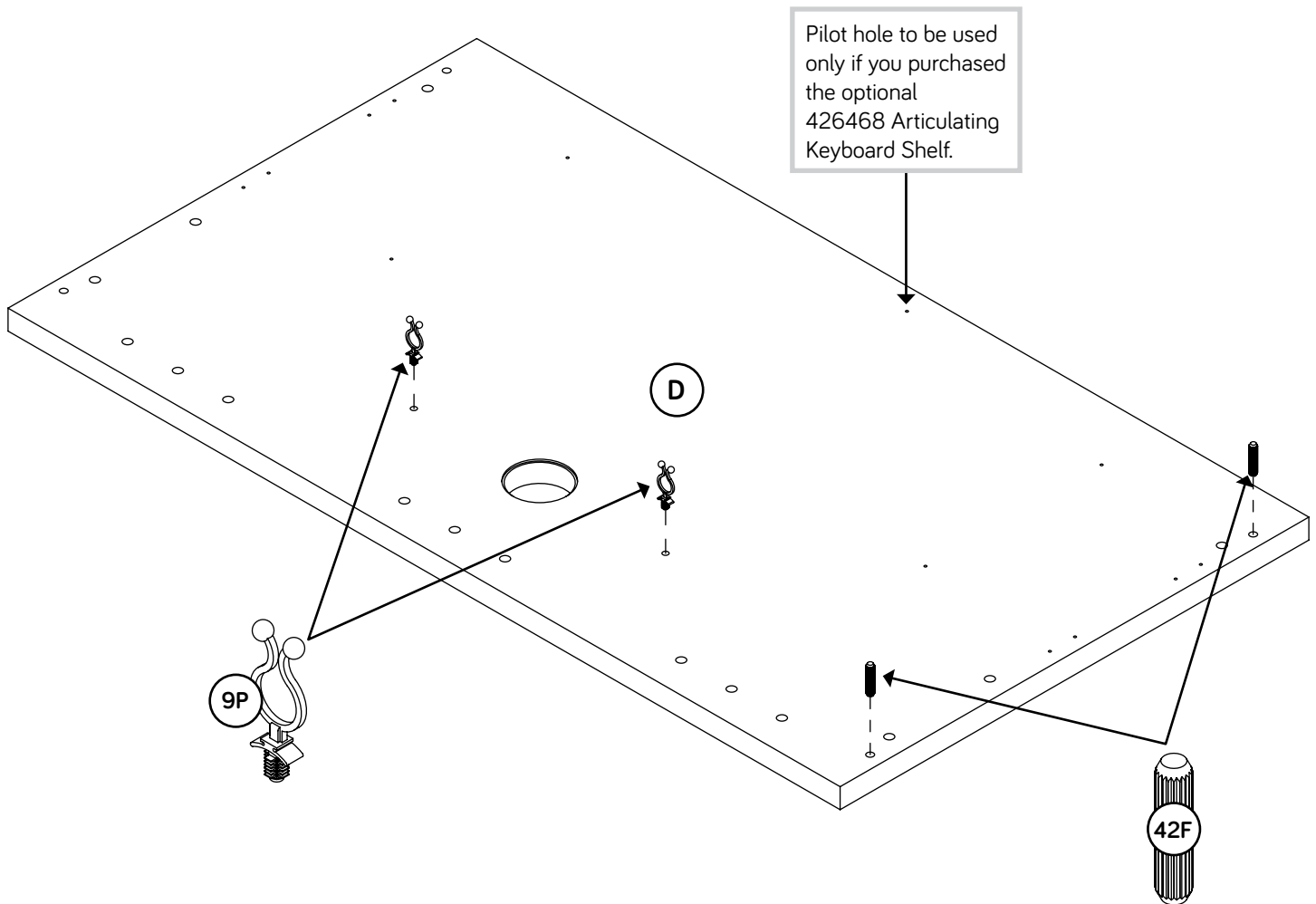
- ✚ Push two SAUDER TWIST-LOCK® FASTENERS (37F) into the large holes in the SMALL LEFT END (B).
- ✚ Using your hammer, gently tap two LEVELERS (46E) completely into the holes in the SMALL LEFT END (B).
- ✚ **NOTE:** Adjustments to the LEVELERS will be made later in assembly once your unit is standing upright.

 Just think. The sooner you do this, the sooner you do something else.



Step 25

- ✚ Insert two WOOD DOWELS (42F) into the TOP (D).
- ✚ NOTE: You may need to gently tap the WOOD DOWELS in with your hammer.
- ✚ Push two CORD CLIPS (9P) into the holes in the TOP (D).



Step 26

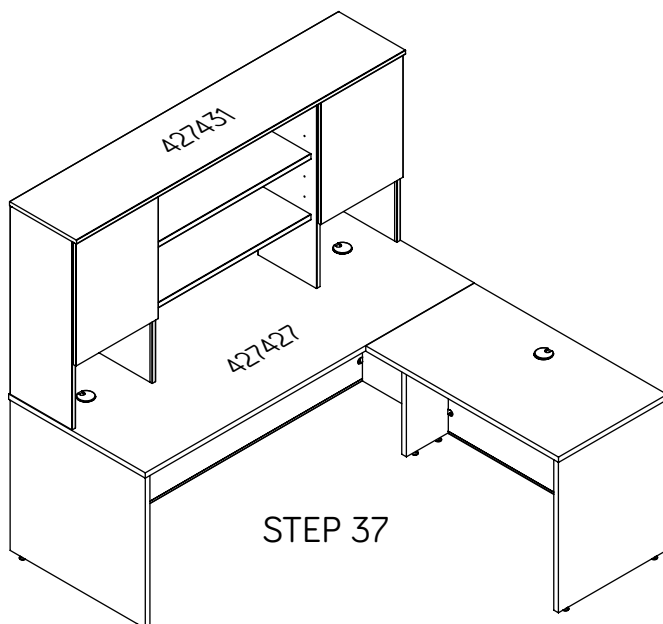
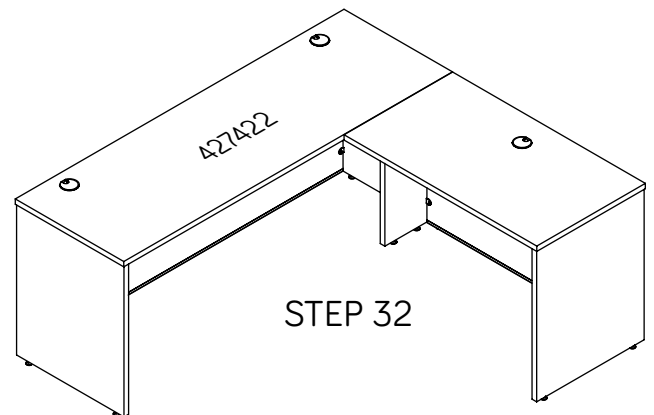
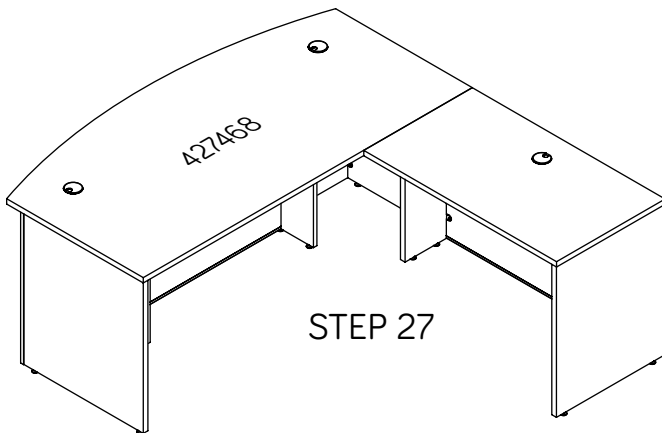
✚ You have the option to assemble the Return to connect to the following desks: 427468, 427422, and 427427.

✚ If you are fastening the Return to the 427468 Desk, go to Step 27.

✚ If you are fastening the Return to the 427422 Desk, go to Step 32.

✚ If you are fastening the Return to the 427427 Desk, go to Step 37.

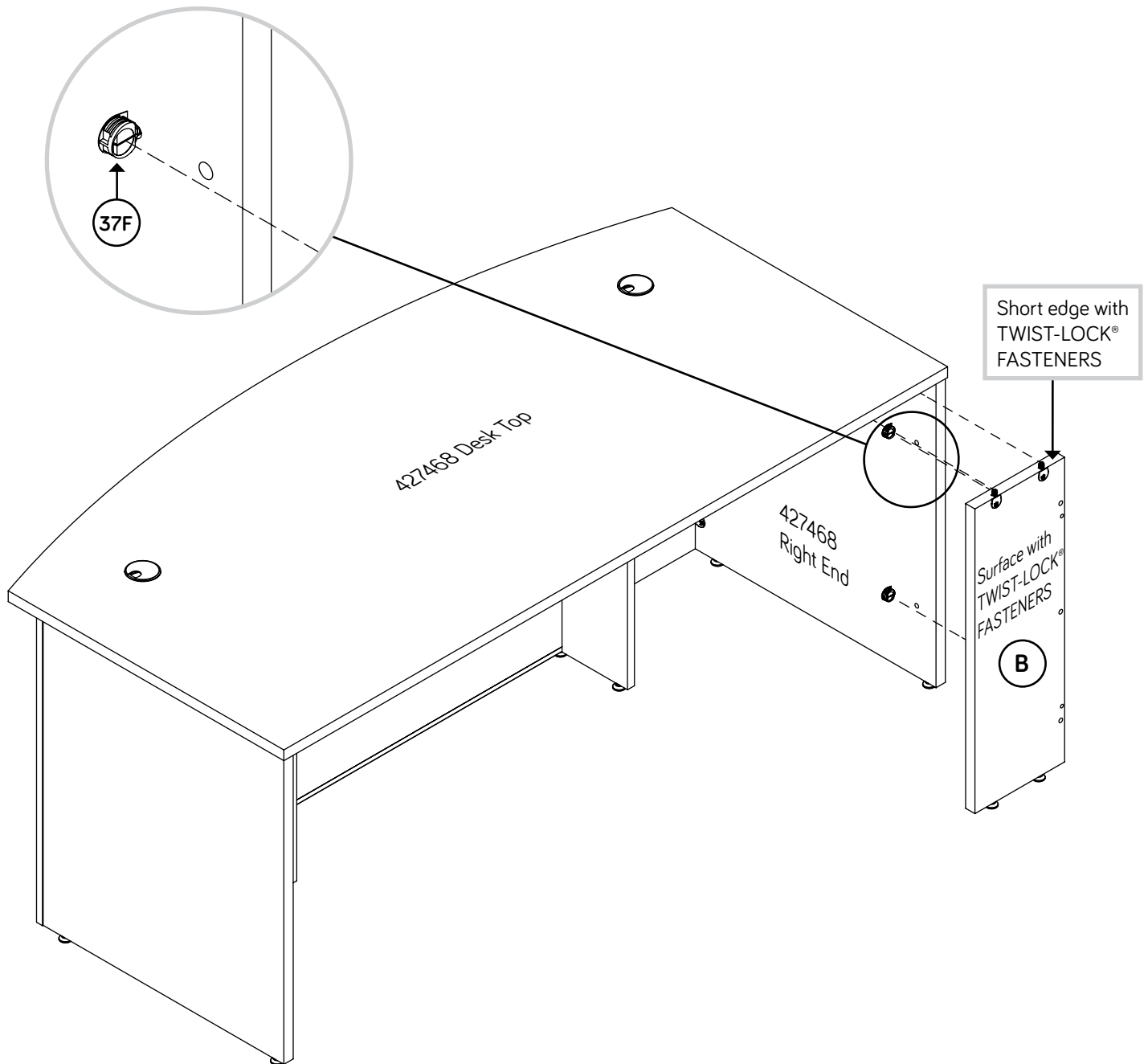
CONNECTING RETURN TO RIGHT SIDE



Step 27



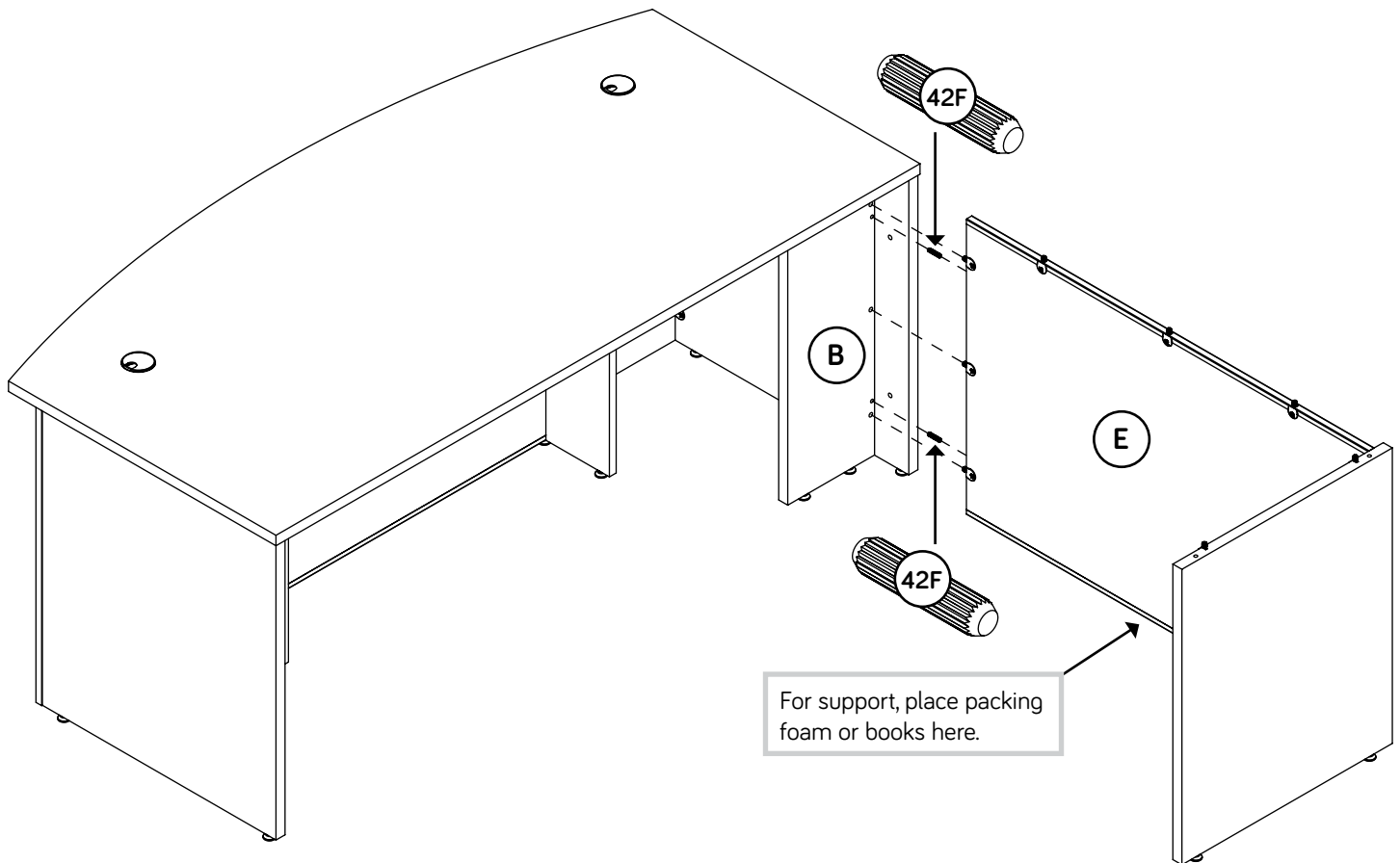
- ✚ Insert the dowel end of two TWIST-LOCK® FASTENERS (37F) into the 427468 Right End as shown in the enlarged diagram.
- ✚ **NOTE:** If you already pushed TWIST-LOCK® FASTENERS into the holes in the long edge of the SMALL LEFT END (B), pull the FASTENERS back out of the holes. Pull at the front and back edges, slowly working the FASTENERS out of the holes.
- ✚ Insert the TWIST-LOCK® FASTENERS in the short edge of the SMALL LEFT END (B) into the 427468 Desk Top, and push the SMALL LEFT END (B) onto the TWIST-LOCK® FASTENERS in the 427468 Right End. Fasten the SMALL LEFT END (B) to the Desk Top and Right End. Tighten four TWIST-LOCK® FASTENERS.



Step 28

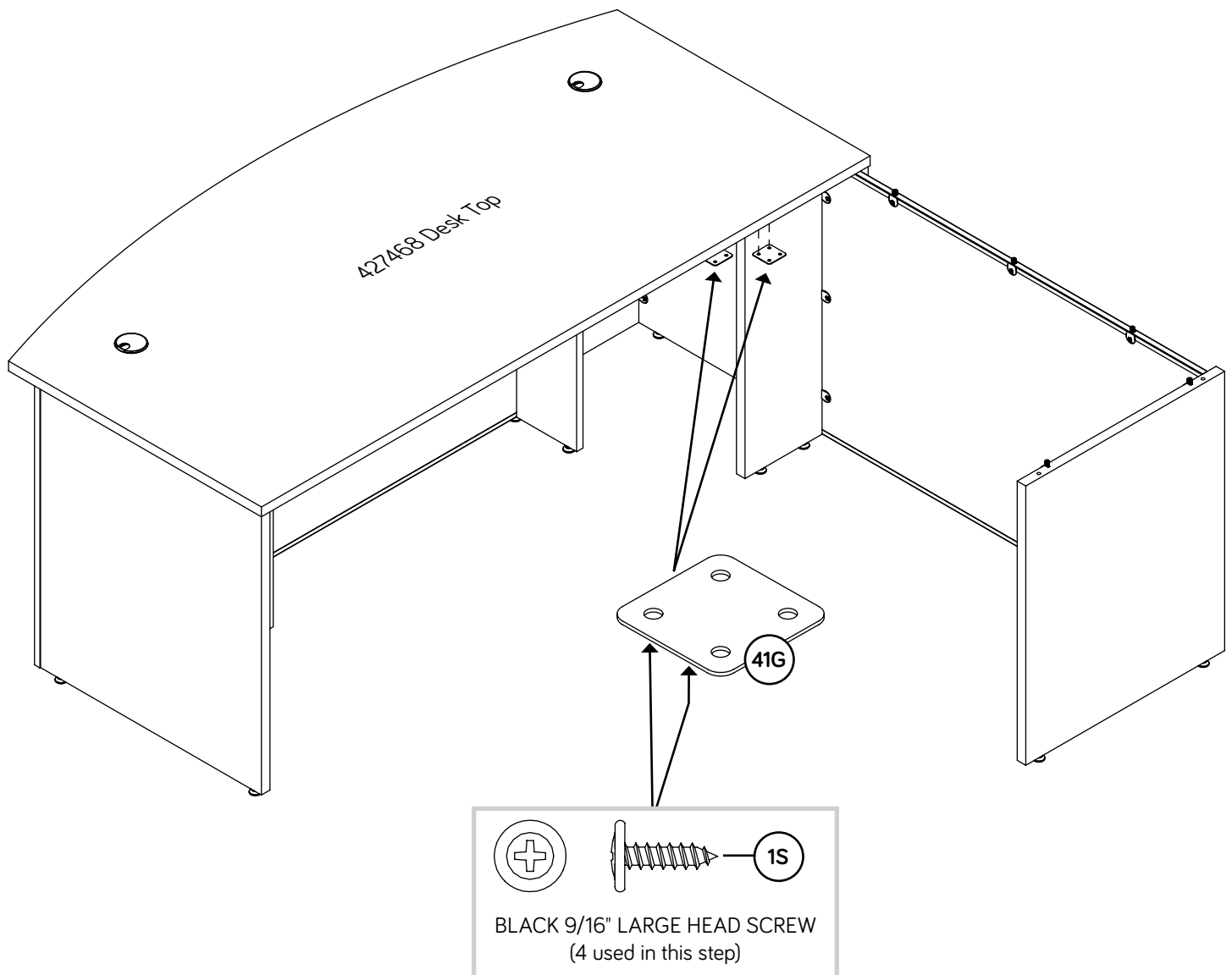


- 🔧 **NOTE:** You will need someone's help in this step.
- 🔧 Insert two WOOD DOWELS (42F) into the SMALL LEFT END (B).
- 🔧 **NOTE:** You may need to gently tap the WOOD DOWEL in with your hammer.
- 🔧 Fasten the MODESTY PANEL (E) to the SMALL LEFT END (B). Tighten three TWIST-LOCK® FASTENERS.
- 🔧 **NOTE:** Be sure the WOOD DOWELS in the SMALL LEFT END insert into the MODESTY PANEL.



Step 29

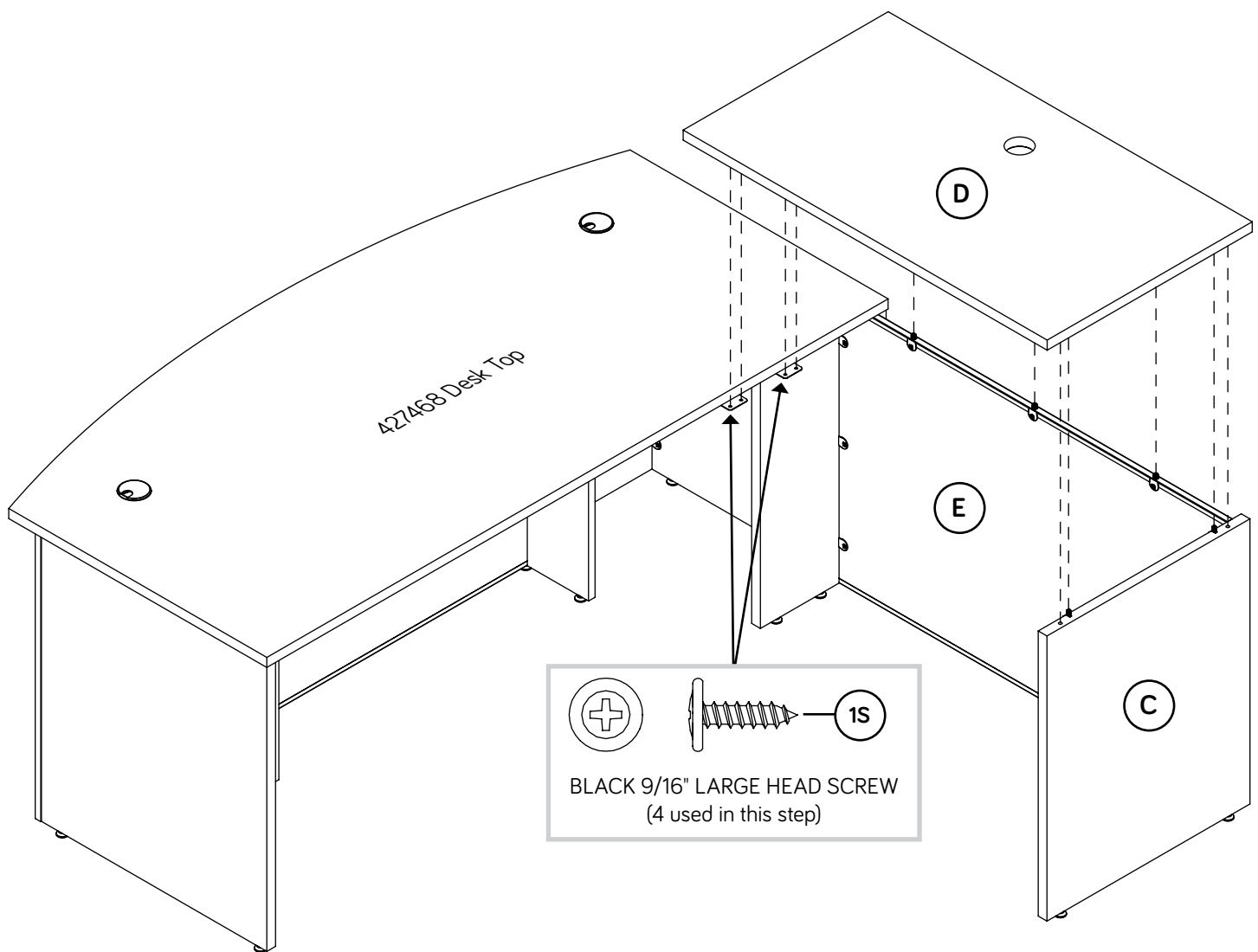
- Fasten the PLATES (41G) to the 427468 Desk Top. Use four BLACK 9/16" LARGE HEAD SCREWS (1S).








Step 30

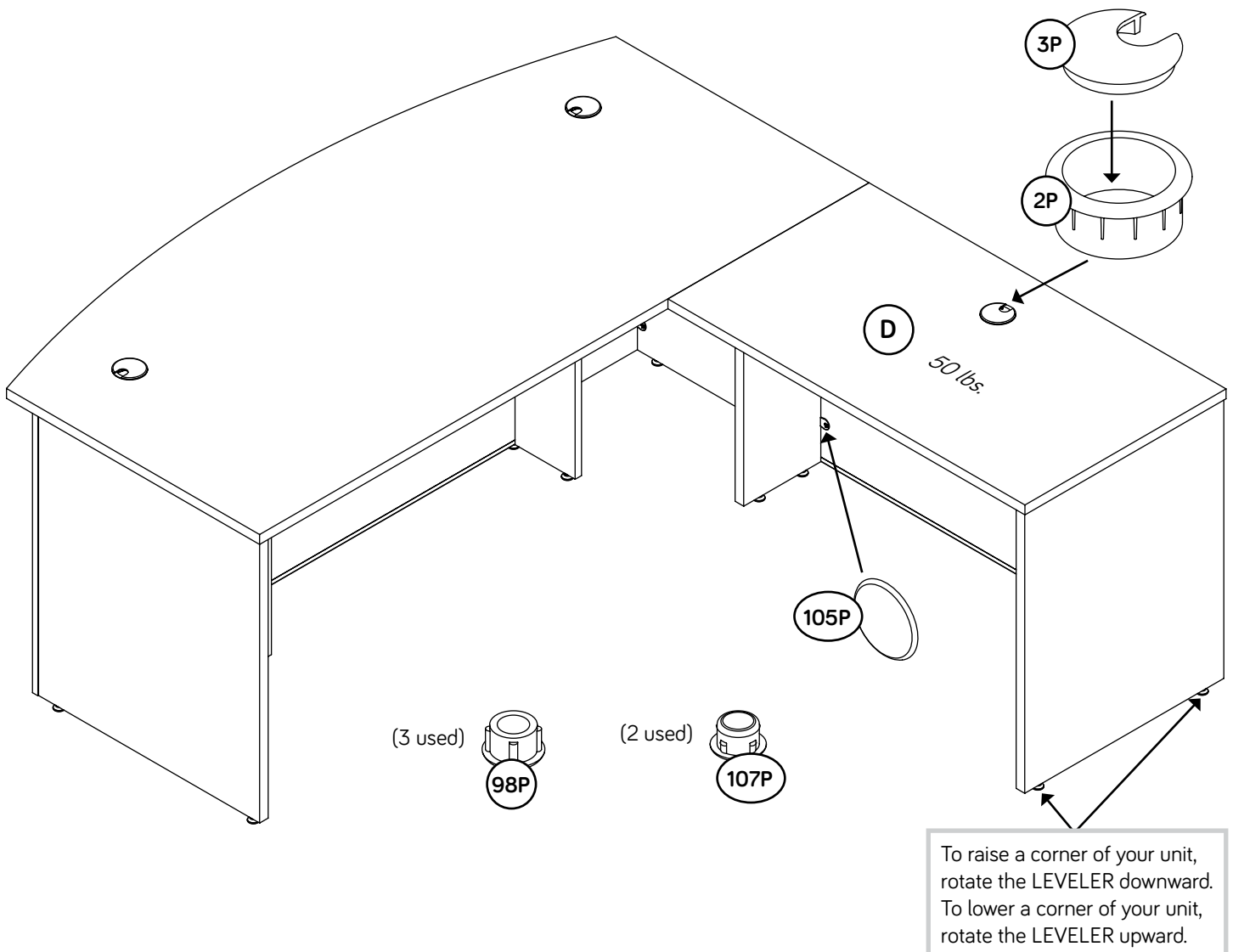


- Fasten the TOP (D) to the LARGE END (C) and MODESTY PANEL (E). Tighten five TWIST-LOCK® FASTENERS.
- NOTE:** Be sure the WOOD DOWELS in the TOP insert into the LARGE END.
- Fasten the TOP (D) to the 427468 Desk Top. Use four BLACK 9/16" LARGE HEAD SCREWS (1S).



Step 31

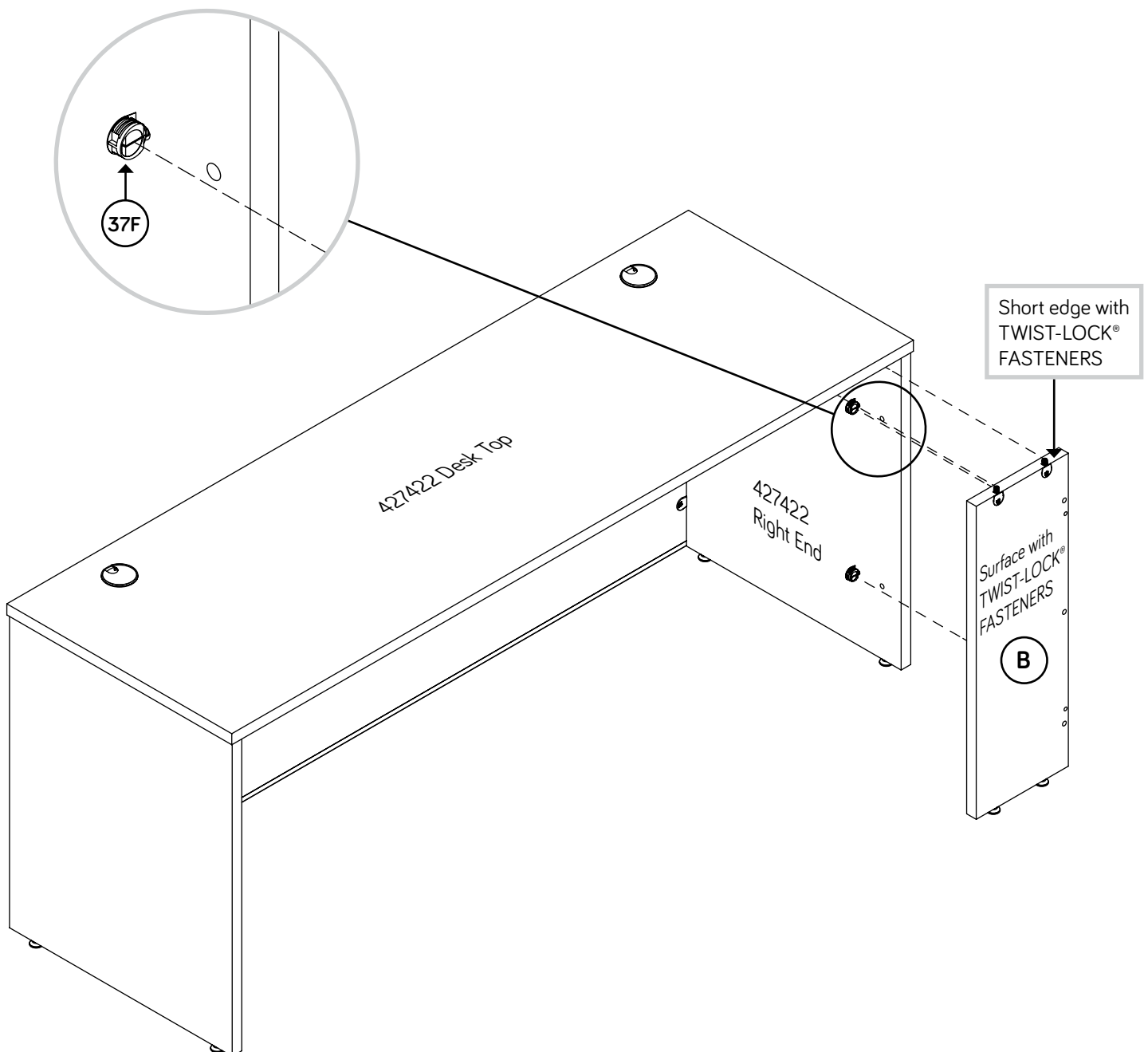
- ✚ Insert the GROMMET (2P) and GROMMET CAP (3P) into the large hole in the TOP (D).
 - ✚ Insert the HOLE PLUGS (98P and 107P) into any unused holes.
 - ✚ Using your hammer, gently tap a TWIST-LOCK® FASTENER COVER (105P) onto each visible TWIST-LOCK® FASTENER.
 - ✚ Your unit may need leveling. To raise a corner of your unit, rotate the LEVELER downward. To lower a corner of your unit, rotate the LEVELER upward.
 - ✚ **NOTE:** Please read the back pages of the instruction booklet for important safety information.
 - ✚ This completes assembly. Clean with a damp cloth. Wipe dry.
- ★ **And to celebrate, why not share your success story at sauder.com or**     



Step 32



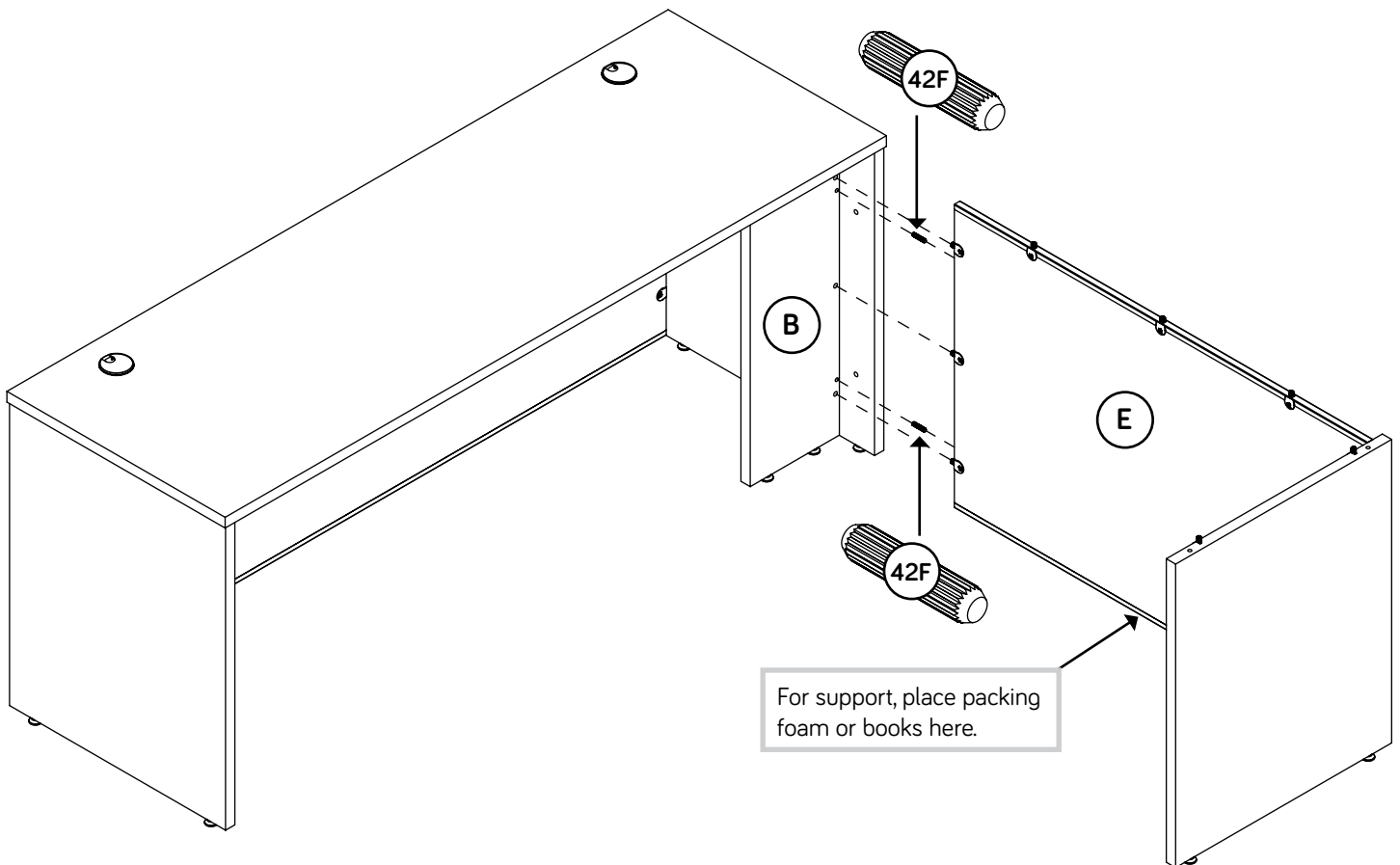
- ✚ Insert the dowel end of two TWIST-LOCK® FASTENERS (37F) into the 427422 Right End as shown in the enlarged diagram.
- ✚ **NOTE:** If you already pushed TWIST-LOCK® FASTENERS into the holes in the long edge of the SMALL LEFT END (B), pull the FASTENERS back out of the holes. Pull at the front and back edges, slowly working the FASTENERS out of the holes.
- ✚ Insert the TWIST-LOCK® FASTENERS in the short edge of the SMALL LEFT END (B) into the 427422 Desk Top, and push the SMALL LEFT END (B) onto the TWIST-LOCK® FASTENERS in the 427422 Right End. Fasten the SMALL LEFT END (B) to the Desk Top and Right End. Tighten four TWIST-LOCK® FASTENERS.



Step 33

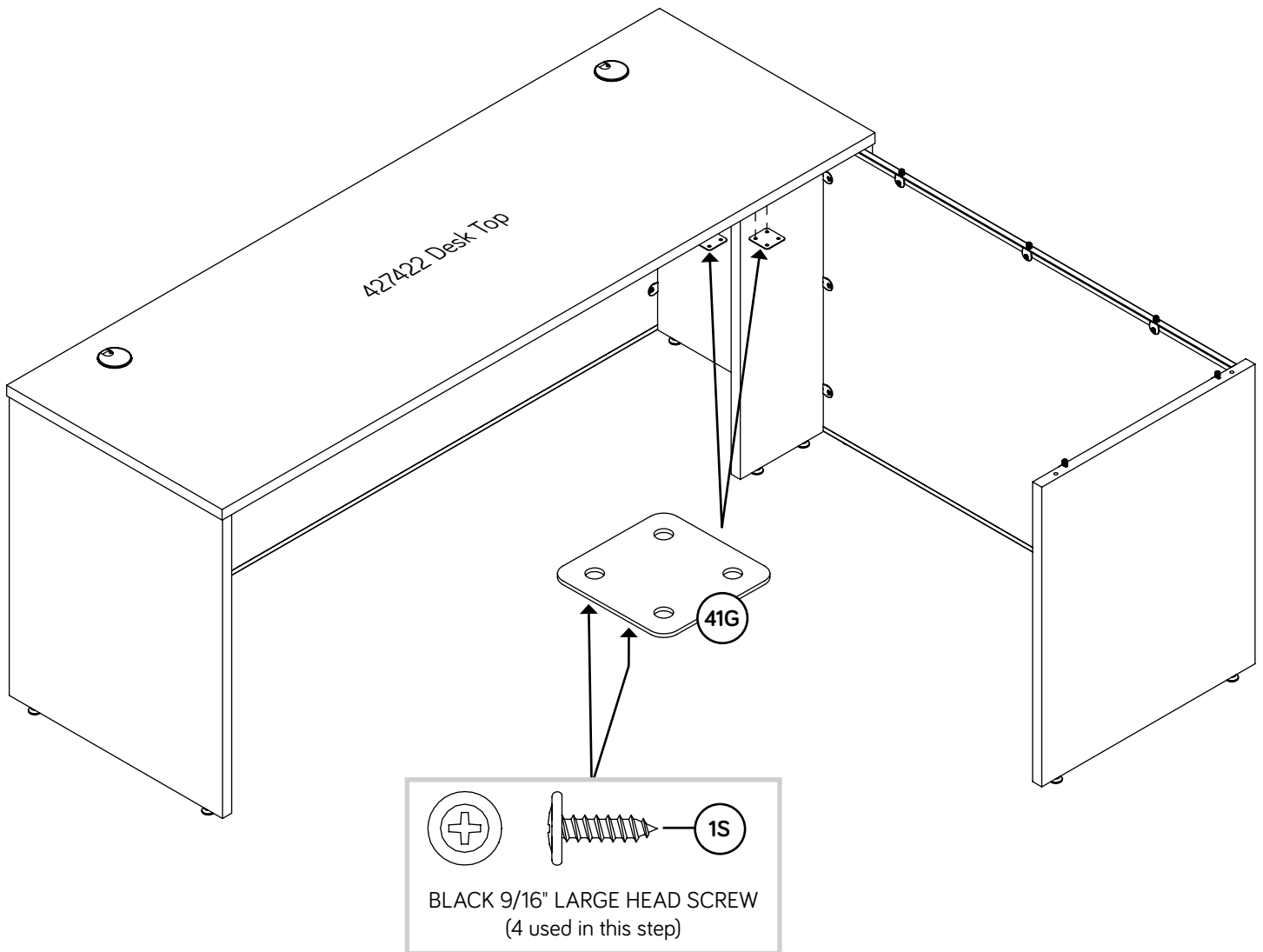


- 🔧 **NOTE:** You will need someone's help in this step.
- 🔧 Insert two WOOD DOWELS (42F) into the SMALL LEFT END (B).
- 🔧 **NOTE:** You may need to gently tap the WOOD DOWELS in with your hammer.
- 🔧 Fasten the MODESTY PANEL (E) to the SMALL LEFT END (B). Tighten three TWIST-LOCK® FASTENERS.
- 🔧 **NOTE:** Be sure the WOOD DOWELS in the SMALL LEFT END insert into the MODESTY PANEL.



Step 34

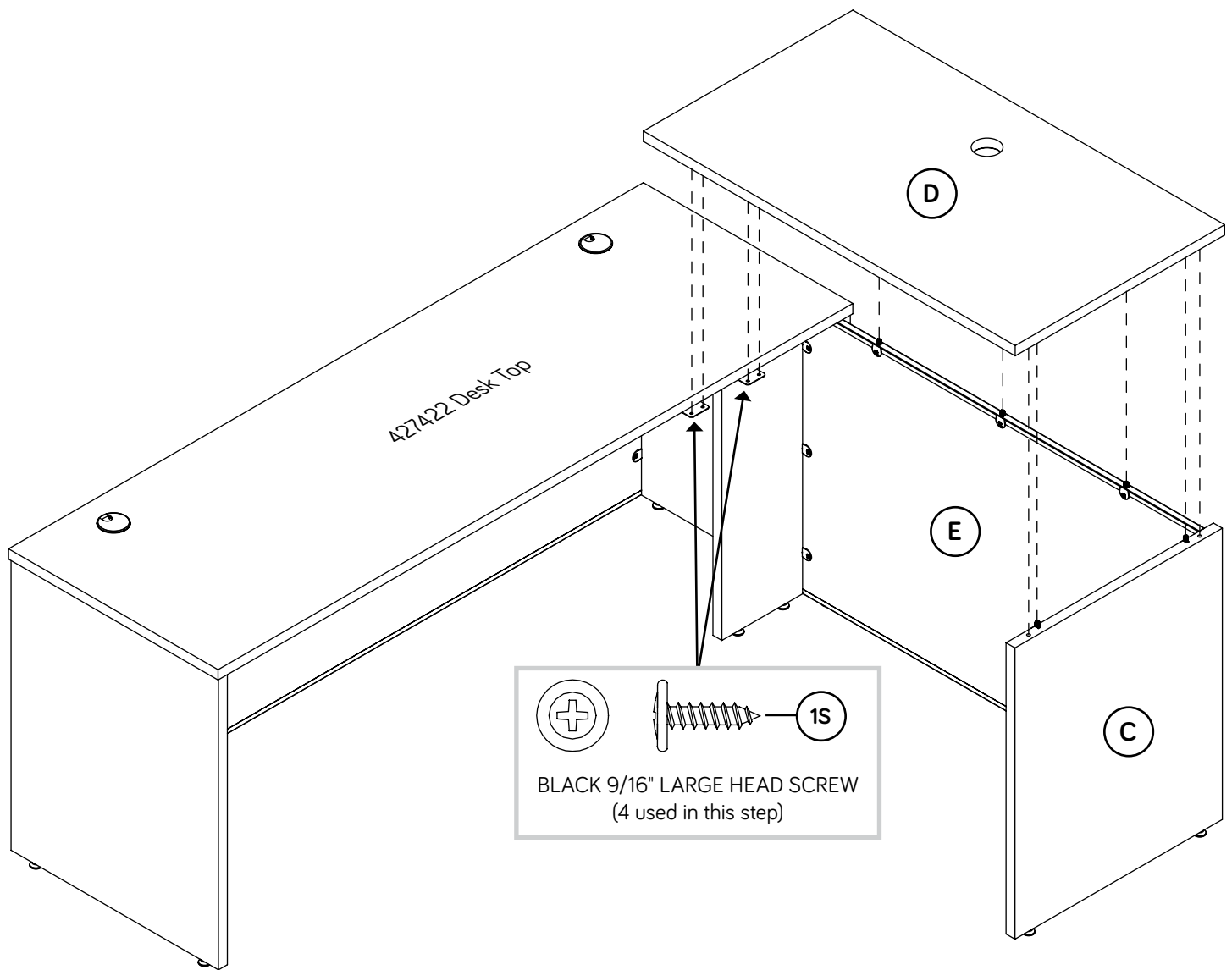
- Fasten the PLATES (41G) to the 427422 Desk Top. Use four BLACK 9/16" LARGE HEAD SCREWS (1S).








Step 35

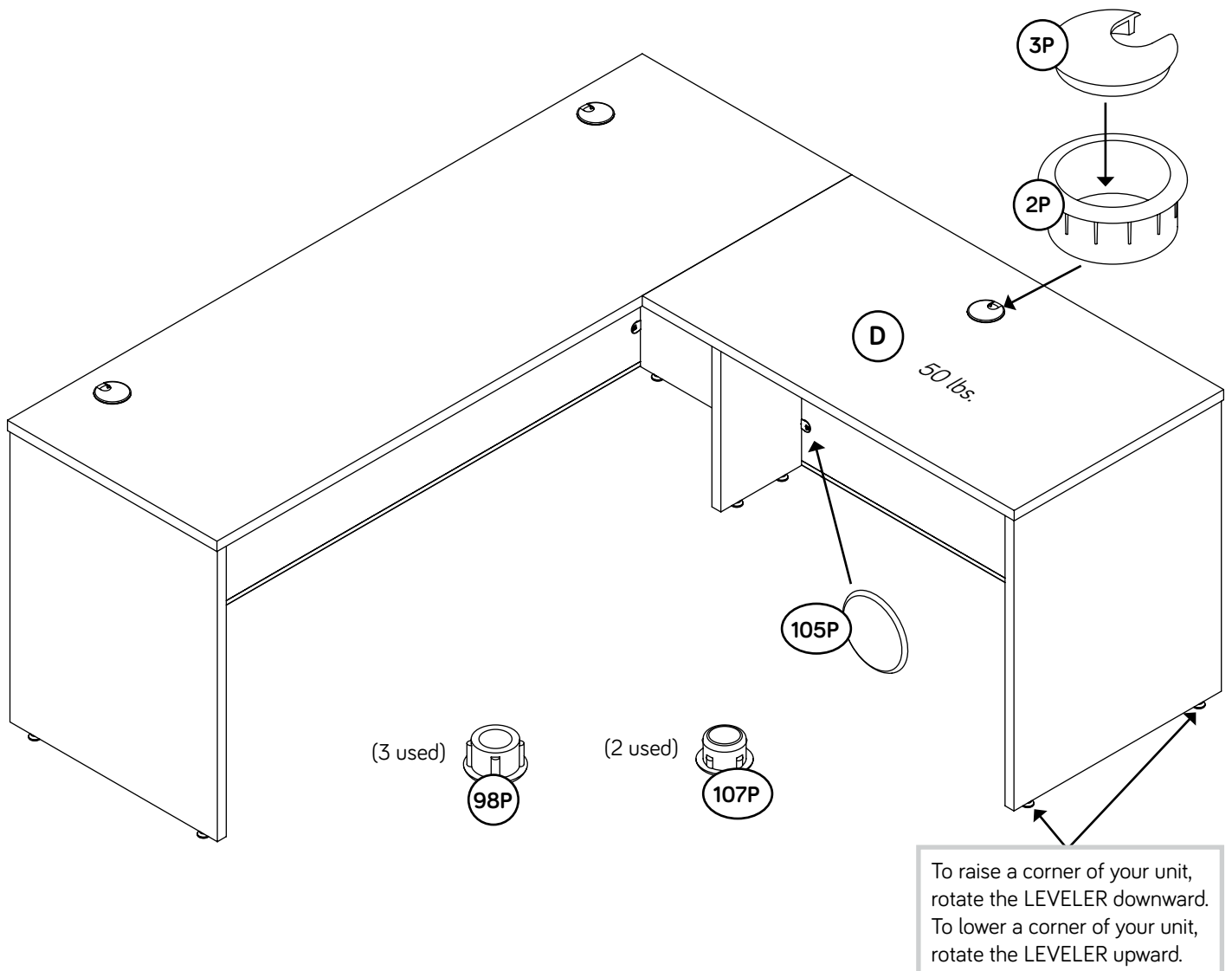


- Fasten the TOP (D) to the LARGE END (C) and MODESTY PANEL (E). Tighten five TWIST-LOCK® FASTENERS.
- NOTE:** Be sure the WOOD DOWELS in the TOP insert into the LARGE END.
- Fasten the TOP (D) to the 427422 Desk Top. Use four BLACK 9/16" LARGE HEAD SCREWS (1S).



Step 36

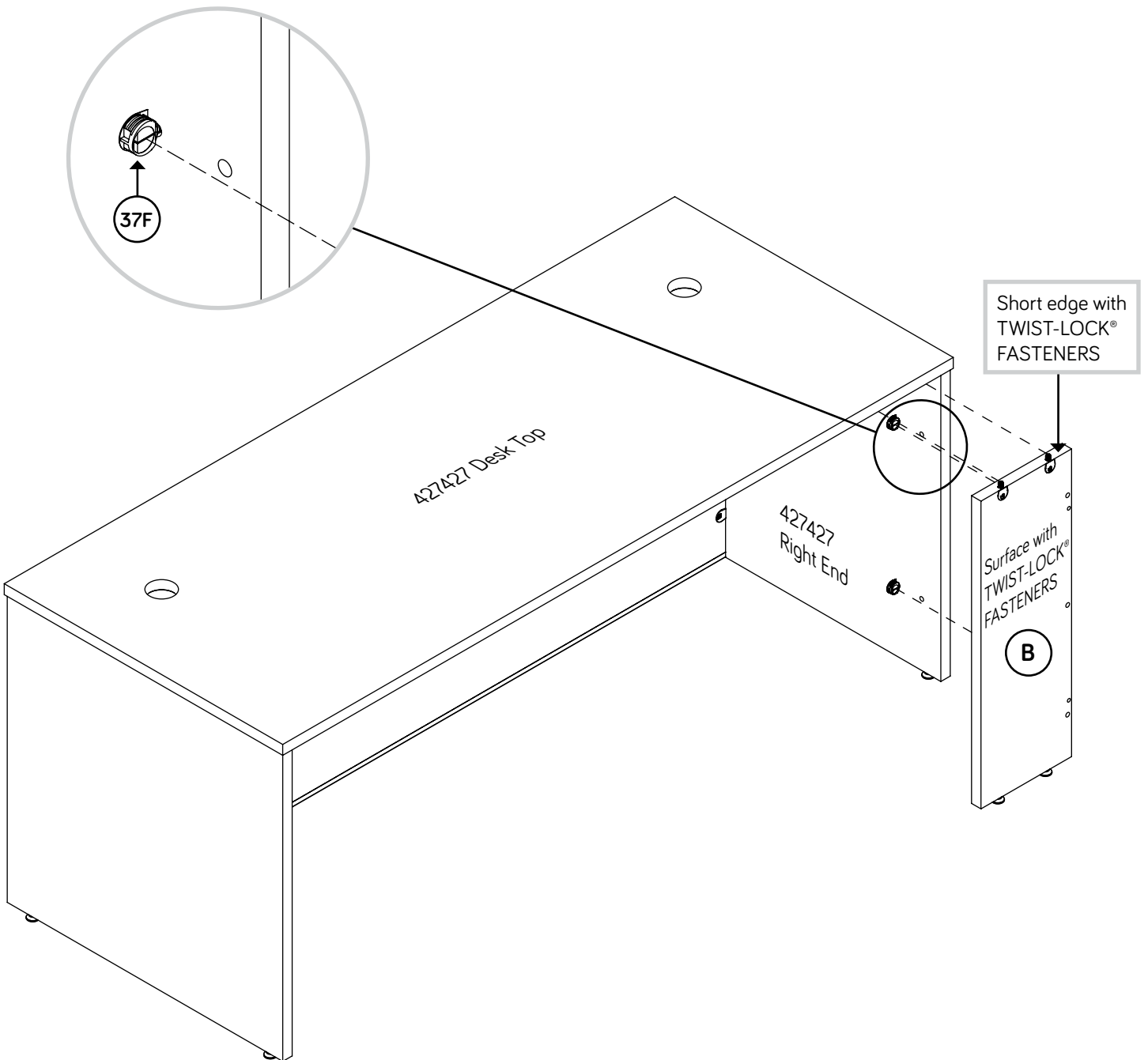
- ✚ Insert the GROMMET (2P) and GROMMET CAP (3P) into the large hole in the TOP (D).
 - ✚ Insert the HOLE PLUGS (98P and 107P) into any unused holes.
 - ✚ Using your hammer, gently tap a TWIST-LOCK® FASTENER COVER (105P) onto each visible TWIST-LOCK® FASTENER.
 - ✚ Your unit may need leveling. To raise a corner of your unit, rotate the LEVELER downward. To lower a corner of your unit, rotate the LEVELER upward.
 - ✚ **NOTE:** Please read the back pages of the instruction booklet for important safety information.
 - ✚ This completes assembly. Clean with a damp cloth. Wipe dry.
- ★ **And to celebrate, why not share your success story at sauder.com or**     



Step 37



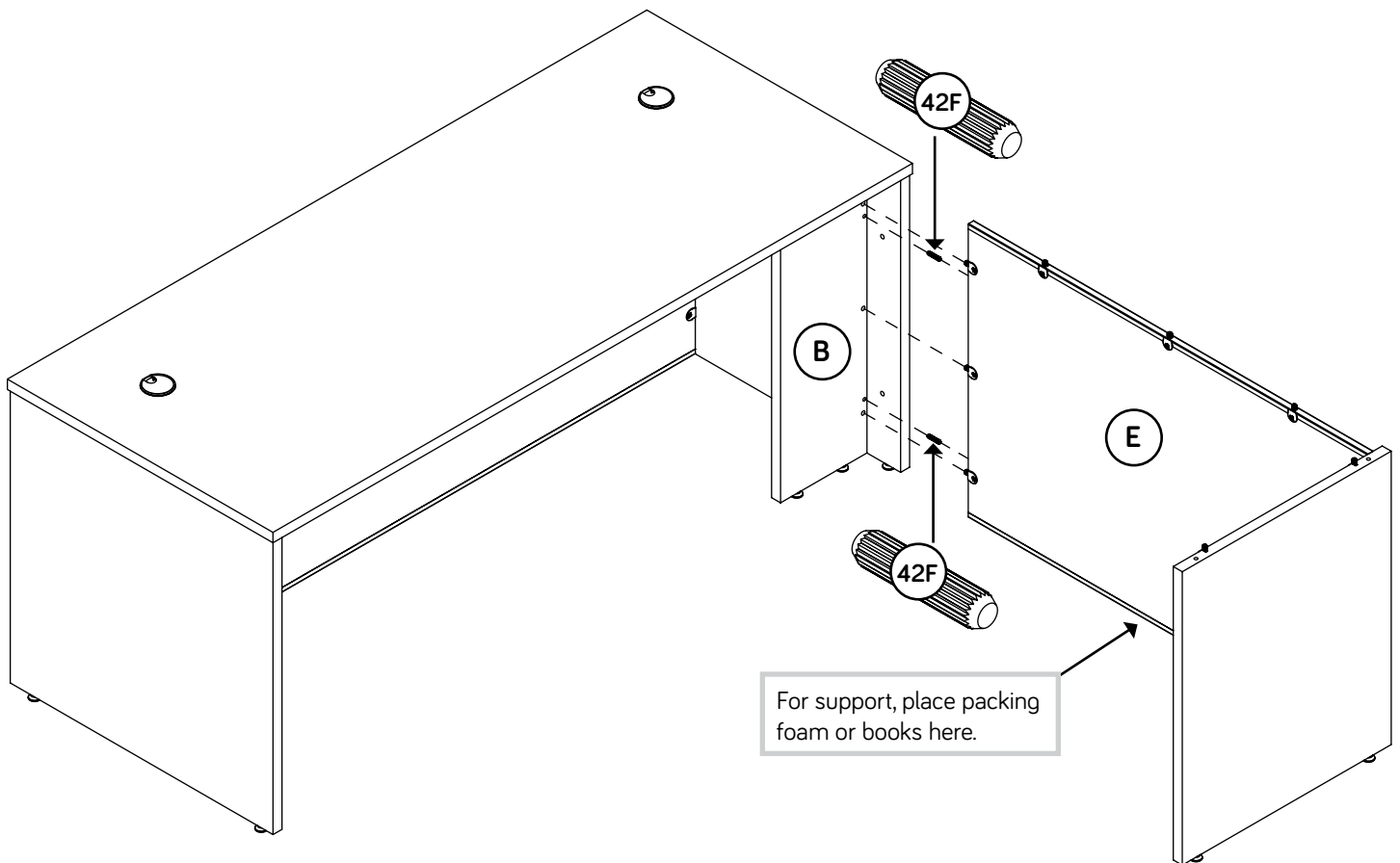
- ✚ Insert the dowel end of two TWIST-LOCK® FASTENERS (37F) into the 427427 Right End as shown in the enlarged diagram.
- ✚ **NOTE:** If you already pushed TWIST-LOCK® FASTENERS into the holes in the long edge of the SMALL LEFT END (B), pull the FASTENERS back out of the holes. Pull at the front and back edges, slowly working the FASTENERS out of the holes.
- ✚ Insert the TWIST-LOCK® FASTENERS in the short edge of the SMALL LEFT END (B) into the 427427 Desk Top, and push the SMALL LEFT END (B) onto the TWIST-LOCK® FASTENERS in the 427427 Right End. Fasten the SMALL LEFT END (B) to the Desk Top and Right End. Tighten four TWIST-LOCK® FASTENERS.



Step 38

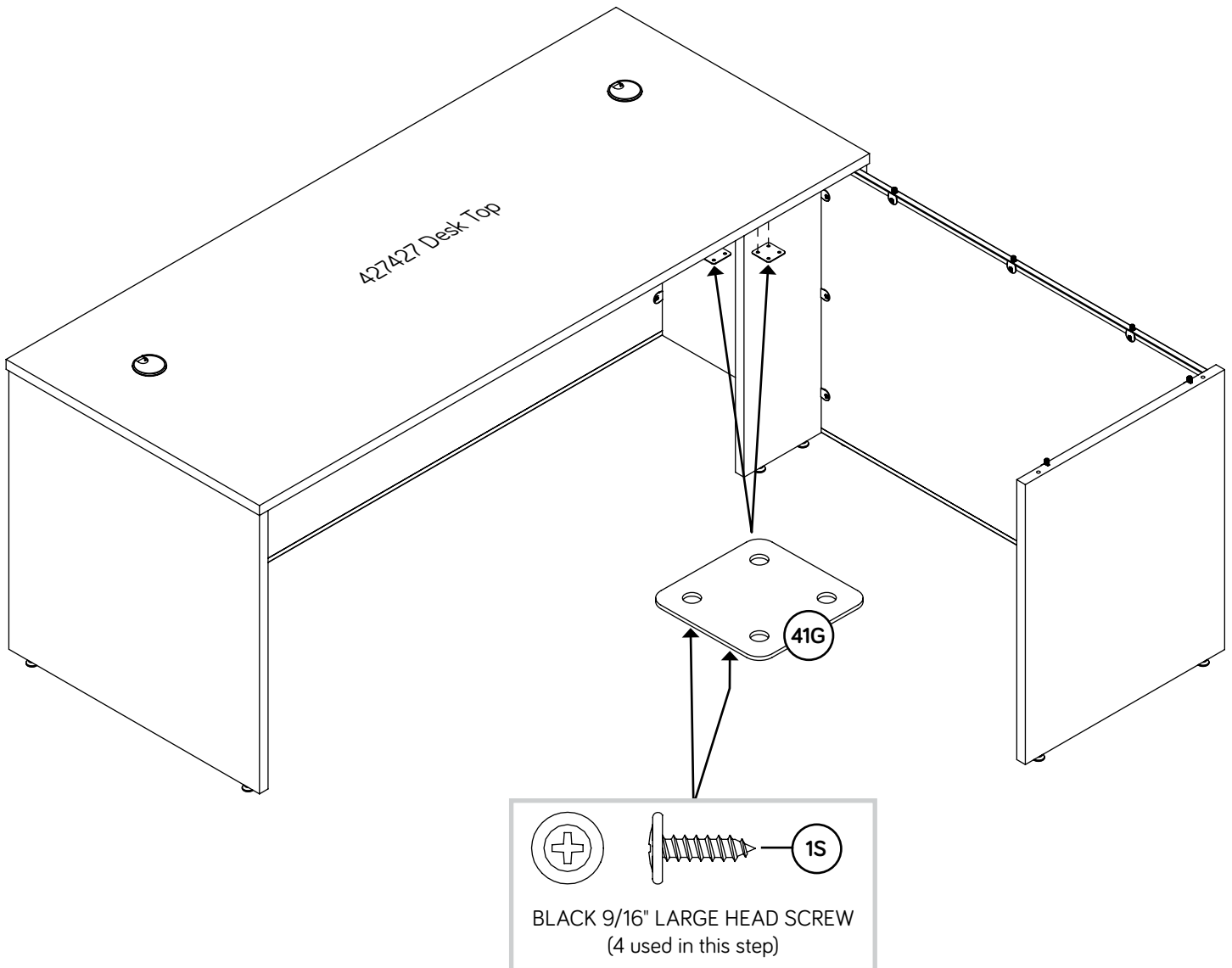


- 🔧 **NOTE:** You will need someone's help in this step.
- 🔧 Insert two WOOD DOWELS (42F) into the SMALL LEFT END (B).
- 🔧 **NOTE:** You may need to gently tap the WOOD DOWELS in with your hammer.
- 🔧 Fasten the MODESTY PANEL (E) to the SMALL LEFT END (B). Tighten three TWIST-LOCK® FASTENERS.
- 🔧 **NOTE:** Be sure the WOOD DOWELS in the SMALL LEFT END insert into the MODESTY PANEL.



Step 39

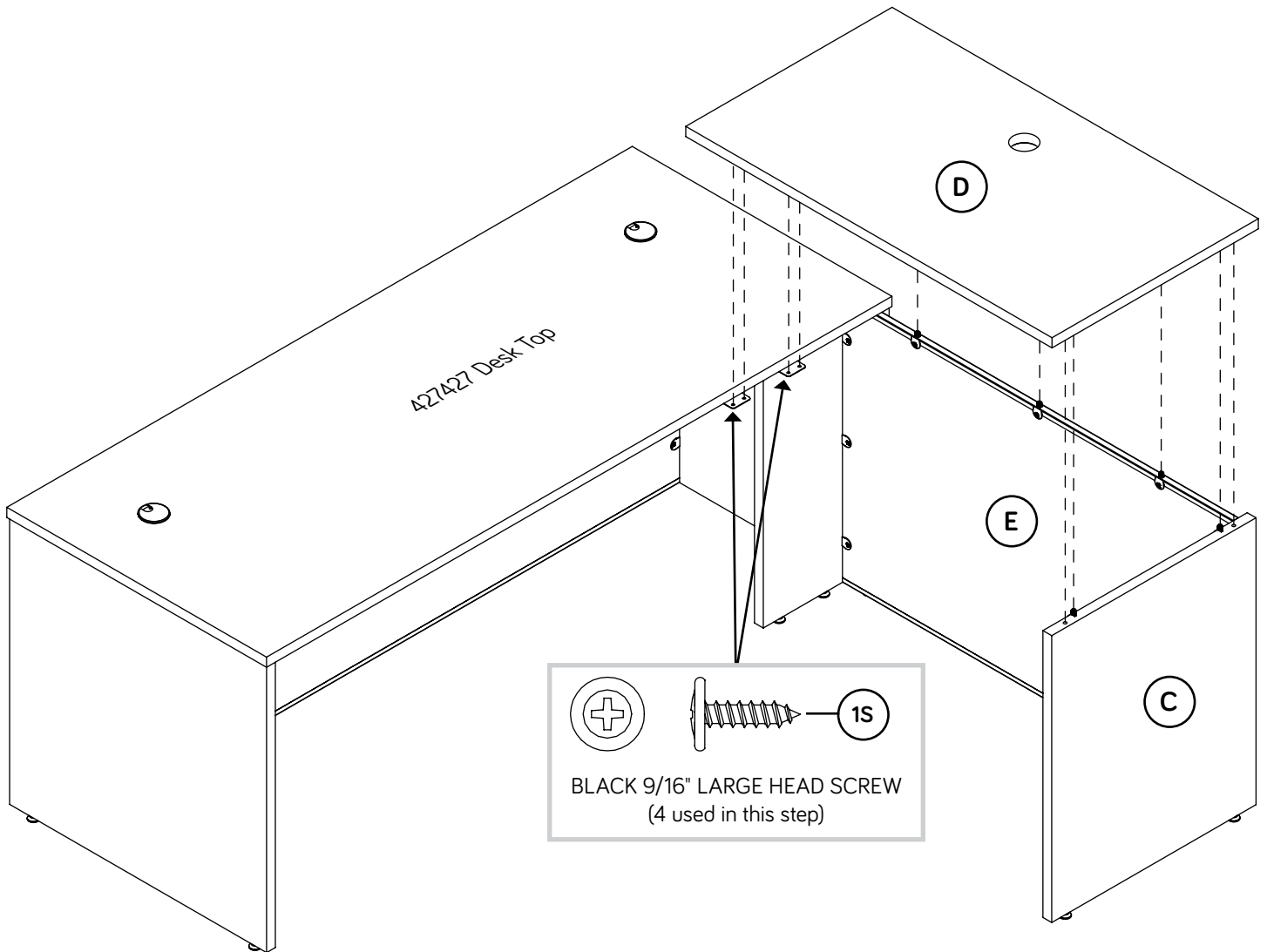
- Fasten the PLATES (41G) to the 427427 Desk Top. Use four BLACK 9/16" LARGE HEAD SCREWS (1S).








Step 40

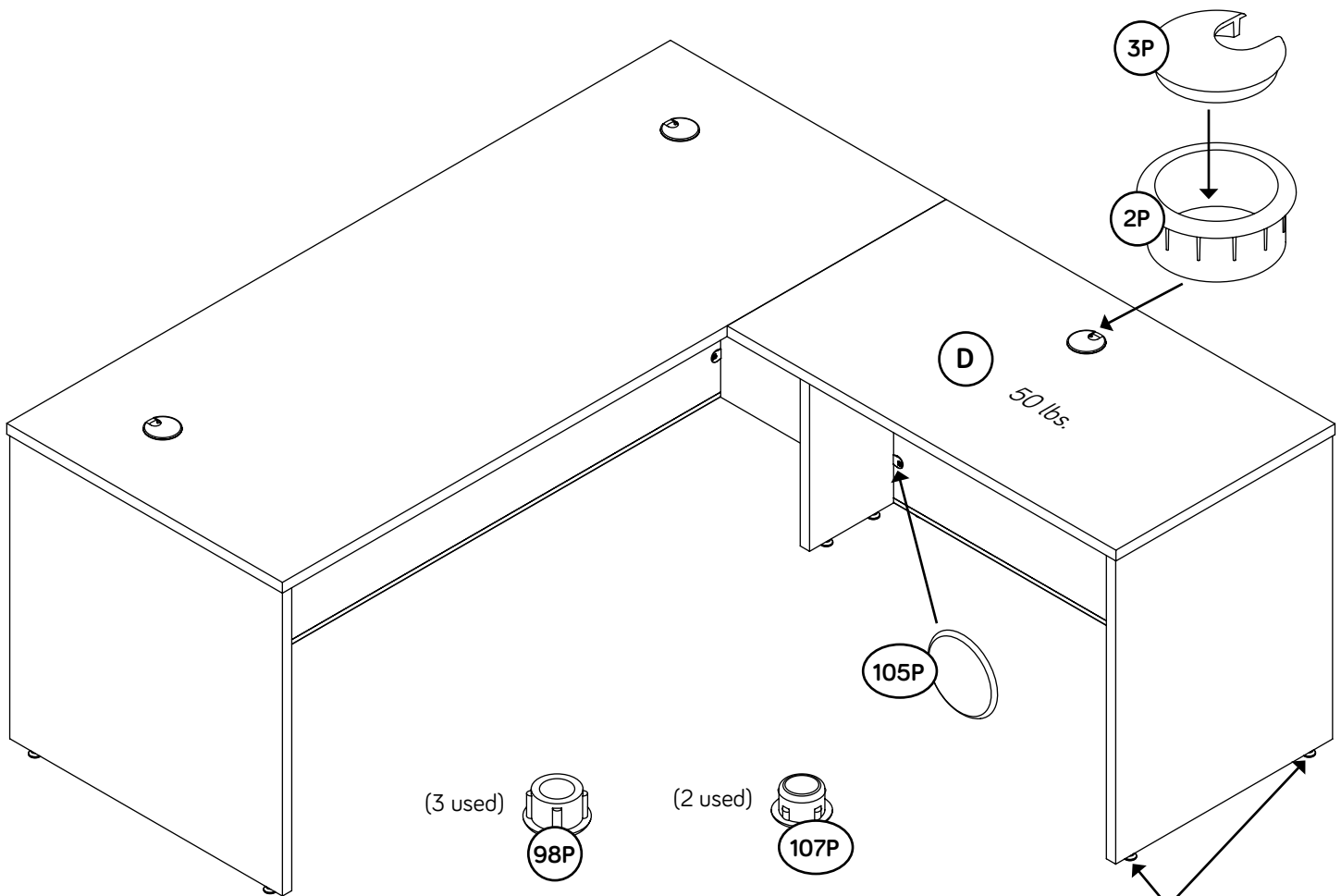


- Fasten the TOP (D) to the LARGE END (C) and MODESTY PANEL (E). Tighten five TWIST-LOCK® FASTENERS.
- NOTE:** Be sure the WOOD DOWELS in the TOP insert into the LARGE END.
- Fasten the TOP (D) to the 427427 Desk Top. Use four BLACK 9/16" LARGE HEAD SCREWS (1S).



Step 41

- ✚ Insert the GROMMET (2P) and GROMMET CAP (3P) into the large hole in the TOP (D).
 - ✚ Insert the HOLE PLUGS (98P and 107P) into any unused holes.
 - ✚ Using your hammer, gently tap a TWIST-LOCK® FASTENER COVER (105P) onto each visible TWIST-LOCK® FASTENER.
 - ✚ Your unit may need leveling. To raise a corner of your unit, rotate the LEVELER downward. To lower a corner of your unit, rotate the LEVELER upward.
 - ✚ **NOTE:** Please read the back pages of the instruction booklet for important safety information.
 - ✚ This completes assembly. Clean with a damp cloth. Wipe dry.
- ★ **And to celebrate, why not share your success story at sauder.com or**     



To raise a corner of your unit, rotate the LEVELER downward. To lower a corner of your unit, rotate the LEVELER upward.

Utilisez les instructions d'assemblage en français avec les schémas étape par étape du manuel d'instruction en anglais. Chaque étape en français correspond à la même étape en anglais. Comparer la "Liste de pièces" ci-dessous avec la "PART IDENTIFICATION" du manuel en anglais pour vous familiariser avec les pièces avant l'assemblage.

REMARQUE : CE MANUEL D'INSTRUCTIONS CONTIENT **D'IMPORTANTES** INFORMATIONS RELATIVES À LA SÉCURITÉ. À LIRE ET CONSERVER POUR TOUTE RÉFÉRENCE FUTURE.

NOUS CONTACTER EN PREMIER

AVANT D'EFFECTUER TOUT RETOUR AU MAGASIN.

Nous faisons de notre mieux pour nous assurer que votre meuble arrive dans d'excellentes conditions. Nos représentants du service Clientèle sont aimables et prêts à vous aider au cas où une pièce aurait été endommagée ou manquerait (ou si vous aviez besoin d'aide pour l'assemblage). Composez ce numéro d'appel gratuit:

877-996-7539

**Du lundi au vendredi, de 9 heures du matin à
5:30 heures du soir (horaire Côte Est)
(sauf jours fériés)**

Si une pièce a besoin d'être remplacée, la pièce de remplacement sera envoyée dans les 48 heures. (Sauf week-ends et jours fériés)

Noter la date d'achat de cet élément et conserver le livret pour future référence. Pour contacter Sauder en ce qui concerne cet élément, faire référence au numéro de lot et numéro de modèle en appelant notre numéro sans frais.

Lot n° : _____

Date de l'achat : _____

LISTE DE PIÈCES			LISTE DE PIÈCES		
REFERENCE	DESCRIPTION	QUANTITÉ	REFERENCE	DESCRIPTION	QUANTITÉ
A	PETITE EXTRÉMITÉ DROITE.....	1	46E	VÉRIN.....	6
B	PETITE EXTRÉMITÉ GAUCHE	1	37F	FIXATION TWIST-LOCK®	8
C	GRANDE EXTRÉMITÉ	1	42F	CHEVILLE EN BOIS.....	8
D	DESSUS.....	1	41G	PLAQUE.....	2
E	VOILE DE FOND.....	1	2P	PASSE-CÂBLES.....	1
			3P	COUVERCLE DE PASSE-CÂBLES.....	1
			9P	CLIP POUR CORDONS.....	2
			98P	GRAND CACHE-TROU.....	3
			105P	COUVERCLE DE FIXATION TWIST-LOCK®	19
			107P	PETIT CACHE-TROU.....	2
			1S	VIS TÊTE LARGE 14 mm NOIRE.....	8

Accessoires optionnels (vendus séparément)

Ce meuble peut être complété par un ou plusieurs des accessoires optionnels suivants (vendus séparément).

Prise électrique pour oeillet (article 427829)

Cette prise électrique est conçue pour remplacer n'importe quel oeillet passe-câble dans votre meuble.

Pour acheter la prise électrique pour oeillet, scannez ce code QR.
(Ou allez sur sauder.com)

Clavier articulé (article 426468)

Ce clavier articulé est conçu pour être fixé sous votre bureau, votre bureau latéral, ou sur une crédence.

Pour acheter le clavier articulé, scannez ce code QR.
(Ou allez sur sauder.com)

Lumière LED (article 426494)

Cette lumière LED est conçue pour être fixée sur la face inférieure d'un surmeuble.

Pour acheter la lumière LED, scannez ce code QR.
(Ou allez sur sauder.com)

ÉTAPE 1

Vous avez l'option d'assembler le Retour de Bureau pour le connecter à GAUCHE ou à DROITE. Si vous souhaitez que le retour de bureau se connecte sur le côté gauche, passez à l'étape 2. Si vous souhaitez que le retour de bureau se connecte sur le côté droit, passez à l'étape 22.

ÉTAPE 2

Assembler l'élément sur un sol à moquette ou sur le carton vide pour éviter d'endommager l'élément ou le sol.

À l'aide d'un marteau, enfoncer légèrement deux VÉRINS (46E) complètement dans les trous dans la GRANDE EXTRÉMITÉ (C).

REMARQUE : Les réglages des VÉRINS se feront ultérieurement dans l'assemblage une fois l'unité en position verticale.

Guide d'utilisation de la visserie

UTILISATION DE LA FIXATION TWIST-LOCK®

1. Enfoncer une FIXATION TWIST-LOCK® dans le gros trou de la pièce.
2. 1. Insérer l'extrémité fileté de la FIXATION dans le trou de la pièce attenante.

REMARQUE : L'extrémité fileté de la FIXATION doit rester complètement insérée dans le trou de la pièce attenante lorsque l'on bloque la FIXATION.

2. Bien serrer la FIXATION à l'aide d'un tournevis Phillips.

ÉTAPE 3

Insérer deux CHEVILLES EN BOIS (42F) dans la GRANDE EXTRÉMITÉ (C).

REMARQUE : Il est peut-être nécessaire d'enfoncer les CHEVILLES EN BOIS délicatement à l'aide d'un marteau.

Fixer la GRANDE EXTRÉMITÉ (C) au VOILE DE FOND (E). Serrer trois FIXATIONS TWIST-LOCK®.

REMARQUE : S'assurer de bien insérer les CHEVILLES EN BOIS de la GRANDE EXTRÉMITÉ dans le VOILE DE FOND.

ÉTAPE 4

Ne pas serrer les FIXATIONS TWIST-LOCK® à cette étape.

Enfoncer deux FIXATIONS TWIST-LOCK® SAUDER (37F) dans les gros trous de la PETITE EXTRÉMITÉ DROITE (A).

À l'aide d'un marteau, enfoncer légèrement deux VÉRINS (46E) complètement dans les trous dans la PETITE EXTRÉMITÉ DROITE (A).

REMARQUE : Les réglages des VÉRINS se feront ultérieurement dans l'assemblage une fois l'unité en position verticale.

ÉTAPE 5

Insérer deux CHEVILLES EN BOIS (42F) dans le DESSUS (D).

REMARQUE : Il est peut-être nécessaire d'enfoncer les CHEVILLES EN BOIS délicatement à l'aide d'un marteau.

Enfoncer deux CLIPS DE CORDON (9P) dans le trou du DESSUS (D).

ÉTAPE 6

Vous avez l'option d'assembler le Retour de Bureau pour le connecter aux bureaux suivants : 427468, 427422 et 427427.

Si vous fixez le retour de bureau au bureau 427468, passez à l'étape 7.

Si vous fixez le retour de bureau au bureau 427422, passez à l'étape 12.

Si vous fixez le retour de bureau au bureau 427427, passez à l'étape 17.

ÉTAPE 7

Insérer l'extrémité fileté des deux FIXATIONS TWIST-LOCK® (37F) dans l'Extrémité Gauche 427468 comme l'indique le schéma agrandi.

REMARQUE : Si les FIXATIONS TWIST-LOCK® ont été insérées dans les trous du bord long de la PETITE EXTRÉMITÉ DROITE (A), retirer les FIXATIONS des trous. Tirer sur les bords avant et arrière et faire sortir lentement les FIXATIONS des trous.

Insérer les FIXATIONS TWIST-LOCK® dans le bord court de la PETITE EXTRÉMITÉ DROITE (A) dans le Dessus de Bureau 427468, et enfoncer la PETITE EXTRÉMITÉ DROITE (A) sur les FIXATIONS TWIST-LOCK® dans l'Extrémité Gauche 427468. Fixer la PETITE EXTRÉMITÉ DROITE (A) au Dessus de Bureau et à l'Extrémité Gauche. Serrer quatre FIXATIONS TWIST-LOCK®.

ÉTAPE 8

REMARQUE : Faire appel à une autre personne pour cette étape.

Insérer deux CHEVILLES EN BOIS (42F) dans la PETITE EXTRÉMITÉ DROITE (A).

REMARQUE : Il est peut-être nécessaire d'enfoncer les CHEVILLES EN BOIS délicatement à l'aide d'un marteau.

Fixer le VOILE DE FOND (E) à la PETITE EXTRÉMITÉ DROITE (A). Serrer trois FIXATIONS TWIST-LOCK®.

REMARQUE : S'assurer d'insérer les CHEVILLES EN BOIS de la PETITE EXTRÉMITÉ DROITE dans le VOILE DE FOND.

ÉTAPE 9

Fixer les PLAQUES (41G) au Dessus de Bureau 427468. Utiliser quatre VIS TÊTE LARGE 14 mm NOIRES (1S).

ÉTAPE 10

Fixer le DESSUS (D) à la GRANDE EXTRÉMITÉ (C) et au VOILE DE FOND (E). Serrer cinq FIXATIONS TWIST-LOCK®.

REMARQUE : S'assurer de bien insérer les CHEVILLES EN BOIS du DESSUS dans la GRANDE EXTRÉMITÉ.

Fixer le DESSUS (D) au Dessus de Bureau 427468. Utiliser quatre VIS TÊTE LARGE 14 mm NOIRES (1S).

ÉTAPE 11

Insérer le PASSE-CÂBLES (2P) et le COUVERCLE DE PASSE-CÂBLES (3P) dans le gros trou du DESSUS (D).

Insérer les CACHE-TROUS (98P et 107P) dans les trous inutilisés.

À l'aide d'un marteau, taper légèrement un COUVERCLE DE FIXATION TWIST-LOCK® (105P) sur chaque FIXATION TWIST-LOCK® visible.

Vous devrez peut-être niveler votre unité. Pour soulever un coin de l'élément, faire tourner le VÉRIN vers le bas. Pour baisser un coin de l'élément, faire tourner le VÉRIN vers le haut.

REMARQUE : Prière de lire les informations importantes sur la sécurité figurant sur les pages arrière du manuel d'instructions.

Ceci complète l'assemblage. Nettoyer avec un tissu humide. Essuyer.

ÉTAPE 12

Insérer l'extrémité fileté des deux FIXATIONS TWIST-LOCK® (37F) dans l'Extrémité Gauche 427422 comme l'indique le schéma agrandi.

REMARQUE : Si les FIXATIONS TWIST-LOCK® ont été insérées dans les trous du bord long de la PETITE EXTRÉMITÉ DROITE (A), retirer les FIXATIONS des trous. Tirer sur les bords avant et arrière et faire sortir lentement les FIXATIONS des trous.

Insérer les FIXATIONS TWIST-LOCK® dans le bord court de la PETITE EXTRÉMITÉ DROITE (A) dans le Dessus de Bureau 427422, et enfoncer la PETITE EXTRÉMITÉ DROITE (A) sur les FIXATIONS TWIST-LOCK® dans l'Extrémité Gauche 427422. Fixer la PETITE EXTRÉMITÉ DROITE (A) au Dessus de Bureau et à l'Extrémité Gauche. Serrer quatre FIXATIONS TWIST-LOCK®.

ÉTAPE 13

REMARQUE : Faire appel à une autre personne pour cette étape.

Insérer deux CHEVILLES EN BOIS (42F) dans la PETITE EXTRÉMITÉ DROITE (A).

REMARQUE : Il est peut-être nécessaire d'enfoncer les CHEVILLES EN BOIS délicatement à l'aide d'un marteau.

Fixer le VOILE DE FOND (E) à la PETITE EXTRÉMITÉ DROITE (A). Serrer trois FIXATIONS TWIST-LOCK®.

REMARQUE : S'assurer d'insérer les CHEVILLES EN BOIS de la PETITE EXTRÉMITÉ DROITE dans le VOILE DE FOND.

ÉTAPE 14

Fixer les PLAQUES (41G) au Dessus de Bureau 427422. Utiliser quatre VIS TÊTE LARGE 14 mm NOIRES (1S).

ÉTAPE 15

Fixer le DESSUS (D) à la GRANDE EXTRÉMITÉ (C) et au VOILE DE FOND (E). Serrer cinq FIXATIONS TWIST-LOCK®.

REMARQUE : S'assurer de bien insérer les CHEVILLES EN BOIS du DESSUS dans la GRANDE EXTRÉMITÉ.

Fixer le DESSUS (D) au Dessus de Bureau 427422. Utiliser quatre VIS TÊTE LARGE 14 mm NOIRES (1S).

ÉTAPE 16

Insérer le PASSE-CÂBLES (2P) et le COUVERCLE DE PASSE-CÂBLES (3P) dans le gros trou du DESSUS (D).

Insérer les CACHE-TROUS (98P et 107P) dans les trous inutilisés.

À l'aide d'un marteau, taper légèrement un COUVERCLE DE FIXATION TWIST-LOCK® (105P) sur chaque FIXATION TWIST-LOCK® visible.

Vous devrez peut-être niveler votre unité. Pour soulever un coin de l'élément, faire tourner le VÉRIN vers le bas. Pour baisser un coin de l'élément, faire tourner le VÉRIN vers le haut.

REMARQUE : Prière de lire les informations importantes sur la sécurité figurant sur les pages arrière du manuel d'instructions.

Ceci complète l'assemblage. Nettoyer avec un tissu humide. Essuyer.

ÉTAPE 17

Insérer l'extrémité fileté des deux FIXATIONS TWIST-LOCK® (37F) dans l'Extrémité Gauche 427427 comme l'indique le schéma agrandi.

REMARQUE : Si les FIXATIONS TWIST-LOCK® ont été insérées dans les trous du bord long de la PETITE EXTRÉMITÉ DROITE (A), retirer les FIXATIONS des trous. Tirer sur les bords avant et arrière et faire sortir lentement les FIXATIONS des trous.

Insérer les FIXATIONS TWIST-LOCK® dans le bord court de la PETITE EXTRÉMITÉ DROITE (A) dans le Dessus de Bureau 427427, et enfoncer la PETITE EXTRÉMITÉ DROITE (A) sur les FIXATIONS TWIST-LOCK® dans l'Extrémité Gauche 427427. Fixer la PETITE EXTRÉMITÉ DROITE (A) au Dessus de Bureau et à l'Extrémité Gauche. Serrer quatre FIXATIONS TWIST-LOCK®.

ÉTAPE 18

REMARQUE : Faire appel à une autre personne pour cette étape.

Insérer deux CHEVILLES EN BOIS (42F) dans la PETITE EXTRÉMITÉ DROITE (A).

REMARQUE : Il est peut-être nécessaire d'enfoncer les CHEVILLES EN BOIS délicatement à l'aide d'un marteau.

Fixer le VOILE DE FOND (E) à la PETITE EXTRÉMITÉ DROITE (A). Serrer trois FIXATIONS TWIST-LOCK®.

REMARQUE : S'assurer d'insérer les CHEVILLES EN BOIS de la PETITE EXTRÉMITÉ DROITE dans le VOILE DE FOND.

ÉTAPE 19

Fixer les PLAQUES (41G) au Dessus de Bureau 427427. Utiliser quatre VIS TÊTE LARGE 14 mm NOIRES (1S).

ÉTAPE 20

Fixer le DESSUS (D) à la GRANDE EXTRÉMITÉ (C) et au VOILE DE FOND (E). Serrer cinq FIXATIONS TWIST-LOCK®.

REMARQUE : S'assurer de bien insérer les CHEVILLES EN BOIS du DESSUS dans la GRANDE EXTRÉMITÉ.

Fixer le DESSUS (D) au Dessus de Bureau 427427. Utiliser quatre VIS TÊTE LARGE 14 mm NOIRES (1S).

ÉTAPE 21

Insérer le PASSE-CÂBLES (2P) et le COUVERCLE DE PASSE-CÂBLES (3P) dans le gros trou du DESSUS (D).

Insérer les CACHE-TROUS (98P et 107P) dans les trous inutilisés.

À l'aide d'un marteau, taper légèrement un COUVERCLE DE FIXATION TWIST-LOCK® (105P) sur chaque FIXATION TWIST-LOCK® visible.

Vous devrez peut-être niveler votre unité. Pour soulever un coin de l'élément, faire tourner le VÉRIN vers le bas. Pour baisser un coin de l'élément, faire tourner le VÉRIN vers le haut.

REMARQUE : Prière de lire les informations importantes sur la sécurité figurant sur les pages arrière du manuel d'instructions.

Ceci complète l'assemblage. Nettoyer avec un tissu humide. Essuyer.

ÉTAPE 22

Assembler l'élément sur un sol à moquette ou sur le carton vide pour éviter d'endommager l'élément ou le sol.

À l'aide d'un marteau, enfoncer légèrement deux VÉRINS (46E) complètement dans les trous dans la GRANDE EXTRÉMITÉ (C).

REMARQUE : Les réglages des VÉRINS se feront ultérieurement dans l'assemblage une fois l'unité en position verticale.

Guide d'utilisation de la visserie

UTILISATION DE LA FIXATION TWIST-LOCK®

1. Enfoncer une FIXATION TWIST-LOCK® dans le gros trou de la pièce.

2. 1. Insérer l'extrémité fileté de la FIXATION dans le trou de la pièce attenante.

REMARQUE : L'extrémité fileté de la FIXATION doit rester complètement insérée dans le trou de la pièce attenante lorsque l'on bloque la FIXATION.

2. Bien serrer la FIXATION à l'aide d'un tournevis Phillips.

ÉTAPE 23

Insérer deux CHEVILLES EN BOIS (42F) dans la GRANDE EXTRÉMITÉ (C).

REMARQUE : Il est peut-être nécessaire d'enfoncer les CHEVILLES EN BOIS délicatement à l'aide d'un marteau.

Fixer la GRANDE EXTRÉMITÉ (C) au VOILE DE FOND (E). Serrer trois FIXATIONS TWIST-LOCK®.

REMARQUE : S'assurer de bien insérer les CHEVILLES EN BOIS de la GRANDE EXTRÉMITÉ dans le VOILE DE FOND.

ÉTAPE 24

Ne pas serrer les FIXATIONS TWIST-LOCK® à cette étape.

Enfoncer deux FIXATIONS TWIST-LOCK® SAUDER (37F) dans les gros trous de la PETITE EXTRÉMITÉ GAUCHE (B).

À l'aide d'un marteau, enfoncer légèrement deux VÉRINS (46E) complètement dans les trous dans la PETITE EXTRÉMITÉ GAUCHE (B).

REMARQUE : Les réglages des VÉRINS se feront ultérieurement dans l'assemblage une fois l'unité en position verticale.

ÉTAPE 25

Insérer deux CHEVILLES EN BOIS (42F) dans le DESSUS (D).

REMARQUE : Il est peut-être nécessaire d'enfoncer les CHEVILLES EN BOIS délicatement à l'aide d'un marteau.

Enfoncer deux CLIPS DE CORDON (9P) dans le trou du DESSUS (D).

ÉTAPE 26

Vous avez l'option d'assembler le Retour de Bureau pour le connecter aux bureaux suivants : 427468, 427422 et 427427.

Si vous fixez le retour de bureau au bureau 427468 passez à l'étape 27.

Si vous fixez le retour de bureau au bureau 427422 passez à l'étape 32.

Si vous fixez le retour de bureau au bureau 427427 passez à l'étape 37.

ÉTAPE 27

Insérer l'extrémité fileté des deux FIXATIONS TWIST-LOCK® (37F) dans l'Extrémité Droite 427468 comme l'indique le schéma agrandi.

REMARQUE : Si les FIXATIONS TWIST-LOCK® ont été insérées dans les trous du bord long de la PETITE EXTRÉMITÉ GAUCHE (B), retirer les FIXATIONS des trous. Tirer sur les bords avant et arrière et faire sortir lentement les FIXATIONS des trous.

Insérer les FIXATIONS TWIST-LOCK® dans le bord court de la PETITE EXTRÉMITÉ GAUCHE (B) dans le Dessus de Bureau 427468, et enfoncer la PETITE EXTRÉMITÉ GAUCHE (B) sur les FIXATIONS TWIST-LOCK® dans l'Extrémité Droite 427468. Fixer la PETITE EXTRÉMITÉ GAUCHE (B) au Dessus de Bureau et à l'Extrémité Droite. Serrer quatre FIXATIONS TWIST-LOCK®.

ÉTAPE 28

REMARQUE : Faire appel à une autre personne pour cette étape.

Insérer deux CHEVILLES EN BOIS (42F) dans la PETITE EXTRÉMITÉ GAUCHE (B).

REMARQUE : Il est peut-être nécessaire d'enfoncer les CHEVILLES EN BOIS délicatement à l'aide d'un marteau.

Fixer le VOILE DE FOND (E) à PETITE EXTRÉMITÉ GAUCHE (B). Serrer trois FIXATIONS TWIST-LOCK®.

REMARQUE : S'assurer d'insérer les CHEVILLES EN BOIS de la PETITE EXTRÉMITÉ GAUCHE dans le VOILE DE FOND.

ÉTAPE 29

Fixer les PLAQUES (41G) au Dessus de Bureau 427468. Utiliser quatre VIS TÊTE LARGE 14 mm NOIRES (1S).

ÉTAPE 30

Fixer le DESSUS (D) à la GRANDE EXTRÉMITÉ (C) et au VOILE DE FOND (E). Serrer cinq FIXATIONS TWIST-LOCK®.

REMARQUE : S'assurer de bien insérer les CHEVILLES EN BOIS du DESSUS dans la GRANDE EXTRÉMITÉ.

Fixer le DESSUS (D) au Dessus de Bureau 427468. Utiliser quatre VIS TÊTE LARGE 14 mm NOIRES (1S).

ÉTAPE 31

Insérer le PASSE-CÂBLES (2P) et le COUVERCLE DE PASSE-CÂBLES (3P) dans le gros trou du DESSUS (D).

Insérer les CACHE-TROUS (98P et 107P) dans les trous inutilisés.

À l'aide d'un marteau, taper légèrement un COUVERCLE DE FIXATION TWIST-LOCK® (105P) sur chaque FIXATION TWIST-LOCK® visible.

Vous devrez peut-être niveler votre unité. Pour soulever un coin de l'élément, faire tourner le VÉRIN vers le bas. Pour baisser un coin de l'élément, faire tourner le VÉRIN vers le haut.

REMARQUE : Prière de lire les informations importantes sur la sécurité figurant sur les pages arrière du manuel d'instructions.

Ceci complète l'assemblage. Nettoyer avec un tissu humide. Essuyer.

ÉTAPE 32

Insérer l'extrémité fileté des deux FIXATIONS TWIST-LOCK® (37F) dans l'Extrémité Droite 427422 comme l'indique le schéma agrandi.

REMARQUE : Si les FIXATIONS TWIST-LOCK® ont été insérées dans les trous du bord long de la PETITE EXTRÉMITÉ GAUCHE (B), retirer les FIXATIONS des trous. Tirer sur les bords avant et arrière et faire sortir lentement les FIXATIONS des trous.

Insérer les FIXATIONS TWIST-LOCK® dans le bord court de la PETITE EXTRÉMITÉ GAUCHE (B) dans le Dessus de Bureau 427422, et enfoncer la PETITE EXTRÉMITÉ GAUCHE (B) sur les FIXATIONS TWIST-LOCK® dans l'Extrémité Droite 427422. Fixer la PETITE EXTRÉMITÉ GAUCHE (B) au Dessus de Bureau et à l'Extrémité Droite. Serrer quatre FIXATIONS TWIST-LOCK®.

ÉTAPE 33

REMARQUE : Faire appel à une autre personne pour cette étape.

Insérer deux CHEVILLES EN BOIS (42F) dans la PETITE EXTRÉMITÉ GAUCHE (B).

REMARQUE : Il est peut-être nécessaire d'enfoncer les CHEVILLES EN BOIS délicatement à l'aide d'un marteau.

Fixer le VOILE DE FOND (E) à PETITE EXTRÉMITÉ GAUCHE (B). Serrer trois FIXATIONS TWIST-LOCK®.

REMARQUE : S'assurer d'insérer les CHEVILLES EN BOIS de la PETITE EXTRÉMITÉ GAUCHE dans le VOILE DE FOND.

ÉTAPE 34

Fixer les PLAQUES (41G) au Dessus de Bureau 427422. Utiliser quatre VIS TÊTE LARGE 14 mm NOIRES (1S).

ÉTAPE 35

Fixer le DESSUS (D) à la GRANDE EXTRÉMITÉ (C) et au VOILE DE FOND (E). Serrer cinq FIXATIONS TWIST-LOCK®.

REMARQUE : S'assurer de bien insérer les CHEVILLES EN BOIS du DESSUS dans la GRANDE EXTRÉMITÉ.

Fixer le DESSUS (D) au Dessus de Bureau 427422. Utiliser quatre VIS TÊTE LARGE 14 mm NOIRES (1S).

ÉTAPE 36

Insérer le PASSE-CÂBLES (2P) et le COUVERCLE DE PASSE-CÂBLES (3P) dans le gros trou du DESSUS (D).

Insérer les CACHE-TROUS (98P et 107P) dans les trous inutilisés.

À l'aide d'un marteau, taper légèrement un COUVERCLE DE FIXATION TWIST-LOCK® (105P) sur chaque FIXATION TWIST-LOCK® visible.

Vous devrez peut-être niveler votre unité. Pour soulever un coin de l'élément, faire tourner le VÉRIN vers le bas. Pour baisser un coin de l'élément, faire tourner le VÉRIN vers le haut.

REMARQUE : Prière de lire les informations importantes sur la sécurité figurant sur les pages arrière du manuel d'instructions.

Ceci complète l'assemblage. Nettoyer avec un tissu humide. Essuyer.

ÉTAPE 37

Insérer l'extrémité fileté des deux FIXATIONS TWIST-LOCK® (37F) dans l'Extrémité Droite 427427 comme l'indique le schéma agrandi.

REMARQUE : Si les FIXATIONS TWIST-LOCK® ont été insérées dans les trous du bord long de la PETITE EXTRÉMITÉ GAUCHE (B), retirer les FIXATIONS des trous. Tirer sur les bords avant et arrière et faire sortir lentement les FIXATIONS des trous.

Insérer les FIXATIONS TWIST-LOCK® dans le bord court de la PETITE EXTRÉMITÉ GAUCHE (B) dans le Dessus de Bureau 427427, et enfoncer la PETITE EXTRÉMITÉ GAUCHE (B) sur les FIXATIONS TWIST-LOCK® dans l'Extrémité Droite 427427. Fixer la PETITE EXTRÉMITÉ GAUCHE (B) au Dessus de Bureau et à l'Extrémité Droite. Serrer quatre FIXATIONS TWIST-LOCK®.

ÉTAPE 38

REMARQUE : Faire appel à une autre personne pour cette étape.

Insérer deux CHEVILLES EN BOIS (42F) dans la PETITE EXTRÉMITÉ GAUCHE (B).

REMARQUE : Il est peut-être nécessaire d'enfoncer les CHEVILLES EN BOIS délicatement à l'aide d'un marteau.

Fixer le VOILE DE FOND (E) à PETITE EXTRÉMITÉ GAUCHE (B). Serrer trois FIXATIONS TWIST-LOCK®.

REMARQUE : S'assurer d'insérer les CHEVILLES EN BOIS de la PETITE EXTRÉMITÉ GAUCHE dans le VOILE DE FOND.

ÉTAPE 39

Fixer les PLAQUES (41G) au Dessus de Bureau 427427. Utiliser quatre VIS TÊTE LARGE 14 mm NOIRES (1S).

ÉTAPE 40

Fixer le DESSUS (D) à la GRANDE EXTRÉMITÉ (C) et au VOILE DE FOND (E). Serrer cinq FIXATIONS TWIST-LOCK®.

REMARQUE : S'assurer de bien insérer les CHEVILLES EN BOIS du DESSUS dans la GRANDE EXTRÉMITÉ.

Fixer le DESSUS (D) au Dessus de Bureau 427427. Utiliser quatre VIS TÊTE LARGE 14 mm NOIRES (1S).

ÉTAPE 41

Insérer le PASSE-CÂBLES (2P) et le COUVERCLE DE PASSE-CÂBLES (3P) dans le gros trou du DESSUS (D).

Insérer les CACHE-TROUS (98P et 107P) dans les trous inutilisés.

À l'aide d'un marteau, taper légèrement un COUVERCLE DE FIXATION TWIST-LOCK® (105P) sur chaque FIXATION TWIST-LOCK® visible.

Vous devrez peut-être niveler votre unité. Pour soulever un coin de l'élément, faire tourner le VÉRIN vers le bas. Pour baisser un coin de l'élément, faire tourner le VÉRIN vers le haut.

REMARQUE : Prière de lire les informations importantes sur la sécurité figurant sur les pages arrière du manuel d'instructions.

Ceci complète l'assemblage. Nettoyer avec un tissu humide. Essuyer.

Use estas instrucciones de ensamblaje en español junto con las figuras paso-a-paso provistas en el folleto inglés. Cada paso en español corresponde al mismo paso en inglés. Compare la "Lista de Part" abajo con la "Part Identification" en el folleto en inglés para familiarizarse con Las partes de ensamblaje.

NOTA: ESTE FOLLETO DE INSTRUCCIONES CONTIENE INFORMACIÓN **IMPORTANTE** SOBRE LA SEGURIDAD. POR FAVOR LEA Y GUÁRDELO PARA REFERENCIA EN EL FUTURO.

CONTÁCTENOS PRIMERO

ANTES DE HACER DEVOLUCIONES A LA TIENDA.

Tratamos de asegurar que su mueble llega en condición excelente. Nuestros representantes de Servicio al Cliente son amables y listos para ayudarle con servicio rápido y eficiente si una parte está defectuosa o ausente (o si necesita ayuda con el ensamblaje). Llame este número sin cargo:

877-996-7539

Lunes a viernes, 9:00 a.m. - 5:30 p.m.

**Hora oficial del Este
(excepto días festivos)**

Si requiere un repuesto de una parte, será enviado dentro de 48 horas (excepto los fines de semana y días festivos)

Anote la fecha de comprar esta unidad y guarde el folleto para su referencia futura. Si necesita ponerse en contacto con Sauder en cuanto a esta unidad, refiérase al número de lote y al número de modelo cuando llame a nuestro número gratis.

No. lote: _____

Fecha de compra: _____

LISTA DE PARTES			LISTA DE PARTES		
ITEM	DESCRIPCIÓN	CANTIDAD	ITEM	DESCRIPCIÓN	CANTIDAD
A	EXTREMO DERECHO PEQUEÑO.....	1	46E	NIVELADOR.....	6
B	EXTREMO IZQUIERDO PEQUEÑO.....	1	37F	SUJETADOR TWIST-LOCK®.....	8
C	EXTREMO GRANDE.....	1	42F	PASADOR DE MADERA.....	8
D	PANEL SUPERIOR.....	1	41G	PLACA.....	2
E	VELO DE FONDO.....	1	2P	OJAL.....	1
			3P	CUBIERTA DE OJAL.....	1
			9P	GRAPA DE CABLE.....	2
			98P	TAPON DE AGUJERO GRANDE.....	3
			105P	CUBIERTA DE SUJETADOR TWIST-LOCK®.....	19
			107P	TAPON DE AGUJERO PEQUEÑO.....	2
			1S	TORNILLO NEGRO DE CABEZA GRANDE de 14 mm.....	8

Accesorios Opcionales (vendidos por separado)

Este mueble acomoda uno o más de los siguientes accesorios opcionales (vendidos por separado).

Toma Empotrado De Escritorio (Artículo 427829)

El toma empotrado de escritorio está diseñado para reemplazar cualquier toma empotrada existente suministrado con su mueble.

Para comprar el Toma Empotrado, escanee este código QR.
(O visite sauder.com)

Brazo Articulado De Teclado (Artículo 426468)

El brazo articulado de teclado está diseñado para fijarse en la parte inferior de su escritorio, en la mesa auxiliar del escritorio o en la parte superior de la credencia.

Para comprar el brazo articulado de teclado, escanee este código QR.
(O visite sauder.com)

Luz LED (Artículo 426494)

La luz LED está diseñada para fijarse en la parte inferior de un organizador.

Para comprar la luz LED, escanee este código QR.
(O visite sauder.com)

PASO 1

Tiene la opción de ensamblar la Mesa Auxiliar para conectar a la IZQUIERDA o DERECHA. Si desea que la Mesa Auxiliar se conecte al lado izquierdo, vaya al paso 2. Si desea que la Mesa Auxiliar se conecte al lado derecho, vaya al paso 22.

PASO 2

Ensamble la unidad sobre un piso alfombrado o sobre el cartón vacío para evitar rayar la unidad o el piso.

Utilizando un martillo, ligeramente clave dos NIVELADORES (46E) completamente en los agujeros del EXTREMO GRANDE (C).

NOTA: Los ajustes a los NIVELADORES se realizarán más adelante en el montaje una vez que su unidad está en posición vertical.

Guía de uso de herrajes

CÓMO UTILIZAR EL SUJETADOR TWIST-LOCK®

1. Empuje un SUJETADOR TWIST-LOCK® dentro del agujero grande en la parte.
2. 1. Inserte el extremo con cabilla del SUJETADOR en el agujero de la parte adjunta.

NOTA: El extremo con cabilla del SUJETADOR debe quedarse completamente insertado en el agujero de la parte adjunta cuando se enclava el SUJETADOR.

2. Apriete el SUJETADOR lo más apretado posible con un destornillador Phillips (cruz).

PASO 3

Inserte dos PASADORES DE MADERA (42F) en el EXTREMO GRANDE (C).

NOTA: Puede ser necesario que ligeramente clave los PASADORES DE MADERA adentro con un martillo.

Fije el EXTREMO GRANDE (C) al VELO DE FONDO (E). Apriete tres SUJETADORES TWIST-LOCK®.

NOTA: Asegúrese de que los PASADORES DE MADERA en el EXTREMO GRANDE se introduzca en el VELO DE FONDO.

PASO 4

No apriete los SUJETADORES TWIST-LOCK® en este paso.

Empuje dos SUJETADORES TWIST-LOCK® SAUDER (37F) en los agujeros grandes del EXTREMO DERECHO PEQUEÑO (A).

Utilizando un martillo, ligeramente clave dos NIVELADORES (46E) completamente en los agujeros del EXTREMO DERECHO PEQUEÑO (A).

NOTA: Los ajustes a los NIVELADORES se realizarán más adelante en el montaje una vez que su unidad está en posición vertical.

PASO 5

Inserte dos PASADORES DE MADERA (42F) en el PANEL SUPERIOR (D).

NOTA: Puede ser necesario que ligeramente clave los PASADORES DE MADERA adentro con un martillo.

Empuje dos GRAPAS DE CABLE (9P) en el agujero del PANEL SUPERIOR (D).

PASO 6

Tiene la opción de ensamblar la Mesa Auxiliar para conectarla a los siguientes escritorios: 427468, 427422 y 427427.

Para fijar la Mesa Auxiliar al escritorio 427468, vaya al paso 7.

Para fijar la Mesa Auxiliar al escritorio 427422, vaya al paso 12.

Para fijar la Mesa Auxiliar al escritorio 427427, vaya al paso 17.

PASO 7

Inserte el extremo con cabilla de dos SUJETADORES TWIST-LOCK® (37F) en el Extremo Izquierdo 427468 como se muestra en el diagrama ampliado.

NOTA: Si ya ha empujado los SUJETADORES TWIST-LOCK® en los agujeros en el borde largo del EXTREMO DERECHO PEQUEÑO (A), retire los SUJETADORES de los agujeros. Tire de los bordes delantero y posterior, lentamente moviendo los SUJETADORES fuera de los agujeros.

Inserte los SUJETADORES TWIST-LOCK® del borde corto del EXTREMO DERECHO PEQUEÑO (A) en el Panel Superior del Escritorio 427468, y empuje el EXTREMO DERECHO PEQUEÑO (A) sobre los SUJETADORES TWIST-LOCK® del Extremo Izquierdo 427468. Fije el EXTREMO DERECHO PEQUEÑO (A) al Panel Superior del Escritorio y al Extremo Izquierdo. Apriete cuatro SUJETADORES TWIST-LOCK®.

PASO 8

NOTA: Necesitar la ayuda de otra persona para este paso.

Inserte dos PASADORES DE MADERA (42F) en el EXTREMO DERECHO PEQUEÑO (A).

NOTA: Puede ser necesario que ligeramente clave los PASADORES DE MADERA adentro con un martillo.

Fije el VELO DE FONDO (E) al EXTREMO DERECHO PEQUEÑO (A). Apriete tres SUJETADORES TWIST-LOCK®.

NOTA: Asegúrese de que los PASADORES DE MADERA del EXTREMO DERECHO PEQUEÑO se inserten en el VELO DE FONDO.

PASO 9

Fije las PLACAS (41G) al Panel Superior de Escritorio 427468. Utilice cuatro TORNILLOS NEGROS DE CABEZA GRANDE de 14 mm (1S).

PASO 10

Fije el PANEL SUPERIOR (D) al EXTREMO GRANDE (C) y al VELO DE FONDO (E). Apriete cinco SUJETADORES TWIST-LOCK®.

NOTA: Asegúrese de que los PASADORES DE MADERA fijados al PANEL SUPERIOR se inserten en el EXTREMO GRANDE.

Fije el PANEL SUPERIOR (D) al Panel Superior de Escritorio 427468. Utilice cuatro TORNILLOS NEGROS DE CABEZA GRANDE de 14 mm (1S).

PASO 11

Inserte el OJAL (2P) y la CUBIERTA DE OJAL (3P) en el agujero grande del PANEL SUPERIOR (D).

Introduzca los TAPONES DE AGUJERO (98P y 107P) en los agujeros no utilizados.

Con un martillo, ligeramente golpee una CUBIERTA DE SUJETADOR TWIST-LOCK® (105P) sobre cada SUJETADOR TWIST-LOCK® visible.

Su unidad puede necesitar nivelación. Para levantar una esquina de la unidad, gire el NIVELADOR hacia abajo. Para bajar una esquina de la unidad, gire el NIVELADOR hacia arriba.

NOTA: Por favor, lea las páginas de atrás del folleto de instrucciones en cuanto a importante información de seguridad.

Esto completa el ensamblaje. Limpiar con un trapo húmedo. Seque con un paño.

PASO 12

Inserte el extremo con cabilla de dos SUJETADORES TWIST-LOCK® (37F) en el Extremo Izquierdo 427422 como se muestra en el diagrama ampliado.

NOTA: Si ya ha empujado los SUJETADORES TWIST-LOCK® en los agujeros en el borde largo del EXTREMO DERECHO PEQUEÑO (A), retire los SUJETADORES de los agujeros. Tire de los bordes delantero y posterior, lentamente moviendo los SUJETADORES fuera de los agujeros.

Inserte los SUJETADORES TWIST-LOCK® del borde corto del EXTREMO DERECHO PEQUEÑO (A) en el Panel Superior del Escritorio 427422, y empuje el EXTREMO DERECHO PEQUEÑO (A) sobre los SUJETADORES TWIST-LOCK® del Extremo Izquierdo 427422. Fije el EXTREMO DERECHO PEQUEÑO (A) al Panel Superior del Escritorio y al Extremo Izquierdo. Apriete cuatro SUJETADORES TWIST-LOCK®.

PASO 13

NOTA: Necesitar la ayuda de otra persona para este paso.

Inserte dos PASADORES DE MADERA (42F) en el EXTREMO DERECHO PEQUEÑO (A).

NOTA: Puede ser necesario que ligeramente clave los PASADORES DE MADERA adentro con un martillo.

Fije el VELO DE FONDO (E) al EXTREMO DERECHO PEQUEÑO (A). Apriete tres SUJETADORES TWIST-LOCK®.

NOTA: Asegúrese de que los PASADORES DE MADERA del EXTREMO DERECHO PEQUEÑO se inserten en el VELO DE FONDO.

PASO 14

Fije las PLACAS (41G) al Panel Superior de Escritorio 427422. Utilice cuatro TORNILLOS NEGROS DE CABEZA GRANDE de 14 mm (1S).

PASO 15

Fije el PANEL SUPERIOR (D) al EXTREMO GRANDE (C) y al VELO DE FONDO (E). Apriete cinco SUJETADORES TWIST-LOCK®.

NOTA: Asegúrese de que los PASADORES DE MADERA fijados al PANEL SUPERIOR se inserten en el EXTREMO GRANDE.

Fije el PANEL SUPERIOR (D) al Panel Superior de Escritorio 427422. Utilice cuatro TORNILLOS NEGROS DE CABEZA GRANDE de 14 mm (1S).

PASO 16

Inserte el OJAL (2P) y la CUBIERTA DE OJAL (3P) en el agujero grande del PANEL SUPERIOR (D).

Introduzca los TAPONES DE AGUJERO (98P y 107P) en los agujeros no utilizados.

Con un martillo, ligeramente golpee una CUBIERTA DE SUJETADOR TWIST-LOCK® (105P) sobre cada SUJETADOR TWIST-LOCK® visible.

Su unidad puede necesitar nivelación. Para levantar una esquina de la unidad, gire el NIVELADOR hacia abajo. Para bajar una esquina de la unidad, gire el NIVELADOR hacia arriba.

NOTA: Por favor, lea las páginas de atrás del folleto de instrucciones en cuanto a importante información de seguridad.

Esto completa el ensamblaje. Limpiar con un trapo húmedo. Seque con un paño.

PASO 17

Inserte el extremo con cabilla de dos SUJETADORES TWIST-LOCK® (37F) en el Extremo Izquierdo 427427 como se muestra en el diagrama ampliado.

NOTA: Si ya ha empujado los SUJETADORES TWIST-LOCK® en los agujeros en el borde largo del EXTREMO DERECHO PEQUEÑO (A), retire los SUJETADORES de los agujeros. Tire de los bordes delantero y posterior, lentamente moviendo los SUJETADORES fuera de los agujeros.

Inserte los SUJETADORES TWIST-LOCK® del borde corto del EXTREMO DERECHO PEQUEÑO (A) en el Panel Superior del Escritorio 427427, y empuje el EXTREMO DERECHO PEQUEÑO (A) sobre los SUJETADORES TWIST-LOCK® del Extremo Izquierdo 427427. Fije el EXTREMO DERECHO PEQUEÑO (A) al Panel Superior del Escritorio y al Extremo Izquierdo. Apriete cuatro SUJETADORES TWIST-LOCK®.

PASO 18

NOTA: Necesitar la ayuda de otra persona para este paso.

Inserte dos PASADORES DE MADERA (42F) en el EXTREMO DERECHO PEQUEÑO (A).

Fije el VELO DE FONDO (E) al EXTREMO DERECHO PEQUEÑO (A). Apriete tres SUJETADORES TWIST-LOCK®.

NOTA: Asegúrese de que los PASADORES DE MADERA del EXTREMO DERECHO PEQUEÑO se inserten en el VELO DE FONDO.

PASO 19

Fije el PANEL SUPERIOR (D) al EXTREMO GRANDE (C) y al VELO DE FONDO (E). Apriete cinco SUJETADORES TWIST-LOCK®.

NOTA: Asegúrese de que los PASADORES DE MADERA fijados al PANEL SUPERIOR se inserten en el EXTREMO GRANDE.

Fije el PANEL SUPERIOR (D) al Panel Superior de Escritorio 427427. Utilice cuatro TORNILLOS NEGROS DE CABEZA GRANDE de 14 mm (1S).

PASO 20

Fije el PANEL SUPERIOR (D) al EXTREMO GRANDE (C) y al VELO DE FONDO (E). Apriete cinco SUJETADORES TWIST-LOCK®.

NOTA: Asegúrese de que los PASADORES DE MADERA fijados al PANEL SUPERIOR se inserten en el EXTREMO GRANDE.

Fije el PANEL SUPERIOR (D) al Panel Superior de Escritorio 427427. Utilice cuatro TORNILLOS NEGROS DE CABEZA GRANDE de 14 mm (1S).

PASO 21

Inserte el OJAL (2P) y la CUBIERTA DE OJAL (3P) en el agujero grande del PANEL SUPERIOR (D).

Introduzca los TAPONES DE AGUJERO (98P y 107P) en los agujeros no utilizados.

Con un martillo, ligeramente golpee una CUBIERTA DE SUJETADOR TWIST-LOCK® (105P) sobre cada SUJETADOR TWIST-LOCK® visible.

Su unidad puede necesitar nivelación. Para levantar una esquina de la unidad, gire el NIVELADOR hacia abajo. Para bajar una esquina de la unidad, gire el NIVELADOR hacia arriba.

NOTA: Por favor, lea las páginas de atrás del folleto de instrucciones en cuanto a importante información de seguridad.

Esto completa el ensamblaje. Limpiar con un trapo húmedo. Seque con un paño.

PASO 22

Ensamble la unidad sobre un piso alfombrado o sobre el cartón vacío para evitar rayar la unidad o el piso.

Utilizando un martillo, ligeramente clave dos NIVELADORES (46E) completamente en los agujeros del EXTREMO GRANDE (C).

NOTA: Los ajustes a los NIVELADORES se realizarán más adelante en el montaje una vez que su unidad está en posición vertical.

Guía de uso de herrajes

CÓMO UTILIZAR EL SUJETADOR TWIST-LOCK®

1. Empuje un SUJETADOR TWIST-LOCK® dentro del agujero grande en la parte.

2. 1. Inserte el extremo con cabilla del SUJETADOR en el agujero de la parte adjunta.

NOTA: El extremo con cabilla del SUJETADOR debe quedarse completamente insertado en el agujero de la parte adjunta cuando se enclava el SUJETADOR.

2. Apriete el SUJETADOR lo más apretado posible con un destornillador Phillips (cruz).

PASO 23

Inserte dos PASADORES DE MADERA (42F) en el EXTREMO GRANDE (C).

NOTA: Puede ser necesario que ligeramente clave los PASADORES DE MADERA adentro con un martillo.

Fije el EXTREMO GRANDE (C) al VELO DE FONDO (E). Apriete tres SUJETADORES TWIST-LOCK®.

NOTA: Asegúrese de que los PASADORES DE MADERA en el EXTREMO GRANDE se introduzca en el VELO DE FONDO.

PASO 24

No apriete los SUJETADORES TWIST-LOCK® en este paso.

Empuje dos SUJETADORES TWIST-LOCK® SAUDER (37F) dentro de los agujeros grandes del EXTREMO IZQUIERDO PEQUEÑO (B).

Utilizando un martillo, ligeramente clave dos NIVELADORES (46E) completamente en los agujeros del EXTREMO IZQUIERDO PEQUEÑO (B).

NOTA: Los ajustes a los NIVELADORES se realizarán más adelante en el montaje una vez que su unidad está en posición vertical.

PASO 25

Inserte dos PASADORES DE MADERA (42F) en el PANEL SUPERIOR (D).

NOTA: Puede ser necesario que ligeramente clave los PASADORES DE MADERA adentro con un martillo.

Empuje dos GRAPAS DE CABLE (9P) en el agujero del PANEL SUPERIOR (D).

PASO 26

Tiene la opción de ensamblar la Mesa Auxiliar para conectarla a los siguientes escritorios: 427468, 427422 y 427427.

Para fijar la Mesa Auxiliar al escritorio 427468 vaya al paso 27.

Para fijar la Mesa Auxiliar al escritorio 427422 vaya al paso 32.

Para fijar la Mesa Auxiliar al escritorio 427427 vaya al paso 37.

PASO 27

Inserte el extremo con cabilla de dos SUJETADORES TWIST-LOCK® (37F) en el Extremo Derecho 427468 como se muestra en el diagrama ampliado.

NOTA: Si ya ha empujado los SUJETADORES TWIST-LOCK® en los agujeros en el borde largo del EXTREMO IZQUIERDO PEQUEÑO (B), retire los SUJETADORES de los agujeros. Tire de los bordes delantero y posterior, lentamente moviendo los SUJETADORES fuera de los agujeros.

Inserte los SUJETADORES TWIST-LOCK® del borde corto del EXTREMO IZQUIERDO PEQUEÑO (B) en el Panel Superior del Escritorio 427468, y empuje el EXTREMO IZQUIERDO PEQUEÑO (B) sobre los SUJETADORES TWIST-LOCK® del Extremo Derecho 427468. Fije el EXTREMO IZQUIERDO PEQUEÑO (B) al Panel Superior del Escritorio y al Extremo Derecho. Apriete cuatro SUJETADORES TWIST-LOCK®.

PASO 28

NOTA: Necesitar la ayuda de otra persona para este paso.

Inserte dos PASADORES DE MADERA (42F) en el EXTREMO IZQUIERDO PEQUEÑO (B).

NOTA: Puede ser necesario que ligeramente clave los PASADORES DE MADERA adentro con un martillo.

Fije el VELO DE FONDO (E) al EXTREMO IZQUIERDO PEQUEÑO (B). Apriete tres SUJETADORES TWIST-LOCK®.

NOTA: Asegúrese de que los PASADORES DE MADERA del EXTREMO IZQUIERDO PEQUEÑO se inserten en el VELO DE FONDO.

PASO 29

Fije las PLACAS (41G) al Panel Superior de Escritorio 427468. Utilice cuatro TORNILLOS NEGROS DE CABEZA GRANDE de 14 mm (1S).

PASO 30

Fije el PANEL SUPERIOR (D) al EXTREMO GRANDE (C) y al VELO DE FONDO (E). Apriete cinco SUJETADORES TWIST-LOCK®.

NOTA: Asegúrese de que los PASADORES DE MADERA fijados al PANEL SUPERIOR se inserten en el EXTREMO GRANDE.

Fije el PANEL SUPERIOR (D) al Panel Superior de Escritorio 427468. Utilice cuatro TORNILLOS NEGROS DE CABEZA GRANDE de 14 mm (1S).

PASO 31

Inserte el OJAL (2P) y la CUBIERTA DE OJAL (3P) en el agujero grande del PANEL SUPERIOR (D).

Introduzca los TAPONES DE AGUJERO (98P y 107P) en los agujeros no utilizados.

Con un martillo, ligeramente golpee una CUBIERTA DE SUJETADOR TWIST-LOCK® (105P) sobre cada SUJETADOR TWIST-LOCK® visible.

Su unidad puede necesitar nivelación. Para levantar una esquina de la unidad, gire el NIVELADOR hacia abajo. Para bajar una esquina de la unidad, gire el NIVELADOR hacia arriba.

NOTA: Por favor, lea las páginas de atrás del folleto de instrucciones en cuanto a importante información de seguridad.

Esto completa el ensamblaje. Limpiar con un trapo húmedo. Seque con un paño.

PASO 32

Inserte el extremo con cabilla de dos SUJETADORES TWIST-LOCK® (37F) en el Extremo Derecho 427422 como se muestra en el diagrama ampliado.

NOTA: Si ya ha empujado los SUJETADORES TWIST-LOCK® en los agujeros en el borde largo del EXTREMO IZQUIERDO PEQUEÑO (B), retire los SUJETADORES de los agujeros. Tire de los bordes delantero y posterior, lentamente moviendo los SUJETADORES fuera de los agujeros.

Inserte los SUJETADORES TWIST-LOCK® del borde corto del EXTREMO IZQUIERDO PEQUEÑO (B) en el Panel Superior del Escritorio 427422, y empuje el EXTREMO IZQUIERDO PEQUEÑO (B) sobre los SUJETADORES TWIST-LOCK® del Extremo Derecho 427422. Fije el EXTREMO IZQUIERDO PEQUEÑO (B) al Panel Superior del Escritorio y al Extremo Derecho. Apriete cuatro SUJETADORES TWIST-LOCK®.

PASO 33

NOTA: Necesitar la ayuda de otra persona para este paso.

Inserte dos PASADORES DE MADERA (42F) en el EXTREMO IZQUIERDO PEQUEÑO (B).

NOTA: Puede ser necesario que ligeramente clave los PASADORES DE MADERA adentro con un martillo.

Fije el VELO DE FONDO (E) al EXTREMO IZQUIERDO PEQUEÑO (B). Apriete tres SUJETADORES TWIST-LOCK®.

NOTA: Asegúrese de que los PASADORES DE MADERA del EXTREMO IZQUIERDO PEQUEÑO se inserten en el VELO DE FONDO.

PASO 34

Fije las PLACAS (41G) al Panel Superior de Escritorio 427422. Utilice cuatro TORNILLOS NEGROS DE CABEZA GRANDE de 14 mm (1S).

PASO 35

Fije el PANEL SUPERIOR (D) al EXTREMO GRANDE (C) y al VELO DE FONDO (E). Apriete cinco SUJETADORES TWIST-LOCK®.

NOTA: Asegúrese de que los PASADORES DE MADERA fijados al PANEL SUPERIOR se inserten en el EXTREMO GRANDE.

Fije el PANEL SUPERIOR (D) al Panel Superior de Escritorio 427422. Utilice cuatro TORNILLOS NEGROS DE CABEZA GRANDE de 14 mm (1S).

PASO 36

Inserte el OJAL (2P) y la CUBIERTA DE OJAL (3P) en el agujero grande del PANEL SUPERIOR (D).

Introduzca los TAPONES DE AGUJERO (98P y 107P) en los agujeros no utilizados.

Con un martillo, ligeramente golpee una CUBIERTA DE SUJETADOR TWIST-LOCK® (105P) sobre cada SUJETADOR TWIST-LOCK® visible.

Su unidad puede necesitar nivelación. Para levantar una esquina de la unidad, gire el NIVELADOR hacia abajo. Para bajar una esquina de la unidad, gire el NIVELADOR hacia arriba.

NOTA: Por favor, lea las páginas de atrás del folleto de instrucciones en cuanto a importante información de seguridad.

Esto completa el ensamblaje. Limpiar con un trapo húmedo. Seque con un paño.

PASO 37

Inserte el extremo con cabilla de dos SUJETADORES TWIST-LOCK® (37F) en el Extremo Derecho 427427 como se muestra en el diagrama ampliado.

NOTA: Si ya ha empujado los SUJETADORES TWIST-LOCK® en los agujeros en el borde largo del EXTREMO IZQUIERDO PEQUEÑO (B), retire los SUJETADORES de los agujeros. Tire de los bordes delantero y posterior, lentamente moviendo los SUJETADORES fuera de los agujeros.

Inserte los SUJETADORES TWIST-LOCK® del borde corto del EXTREMO IZQUIERDO PEQUEÑO (B) en el Panel Superior del Escritorio 427427, y empuje el EXTREMO IZQUIERDO PEQUEÑO (B) sobre los SUJETADORES TWIST-LOCK® del Extremo Derecho 427427. Fije el EXTREMO IZQUIERDO PEQUEÑO (B) al Panel Superior del Escritorio y al Extremo Derecho. Apriete cuatro SUJETADORES TWIST-LOCK®.

PASO 38

NOTA: Necesitar la ayuda de otra persona para este paso.

Inserte dos PASADORES DE MADERA (42F) en el EXTREMO IZQUIERDO PEQUEÑO (B).

NOTA: Puede ser necesario que ligeramente clave los PASADORES DE MADERA adentro con un martillo.

Fije el VELO DE FONDO (E) al EXTREMO IZQUIERDO PEQUEÑO (B). Apriete tres SUJETADORES TWIST-LOCK®.

NOTA: Asegúrese de que los PASADORES DE MADERA del EXTREMO IZQUIERDO PEQUEÑO se inserten en el VELO DE FONDO.

PASO 39

Fije las PLACAS (41G) al Panel Superior de Escritorio 427427. Utilice cuatro TORNILLOS NEGROS DE CABEZA GRANDE de 14 mm (1S).

PASO 40

Fije el PANEL SUPERIOR (D) al EXTREMO GRANDE (C) y al VELO DE FONDO (E). Apriete cinco SUJETADORES TWIST-LOCK®.

NOTA: Asegúrese de que los PASADORES DE MADERA fijados al PANEL SUPERIOR se inserten en el EXTREMO GRANDE.

Fije el PANEL SUPERIOR (D) al Panel Superior de Escritorio 427427. Utilice cuatro TORNILLOS NEGROS DE CABEZA GRANDE de 14 mm (1S).

PASO 41

Inserte el OJAL (2P) y la CUBIERTA DE OJAL (3P) en el agujero grande del PANEL SUPERIOR (D).

Introduzca los TAPONES DE AGUJERO (98P y 107P) en los agujeros no utilizados.

Con un martillo, ligeramente golpee una CUBIERTA DE SUJETADOR TWIST-LOCK® (105P) sobre cada SUJETADOR TWIST-LOCK® visible.

Su unidad puede necesitar nivelación. Para levantar una esquina de la unidad, gire el NIVELADOR hacia abajo. Para bajar una esquina de la unidad, gire el NIVELADOR hacia arriba.

NOTA: Por favor, lea las páginas de atrás del folleto de instrucciones en cuanto a importante información de seguridad.

Esto completa el ensamblaje. Limpiar con un trapo húmedo. Seque con un paño.

⚠ WARNING

Please use your furniture correctly and safely. Improper use can cause safety hazards, or damage to your furniture or household items. **Carefully read the following chart.**

Look out for:	What can happen:	How to avoid the problem:
<ul style="list-style-type: none"> Overloaded shelves or drawers. Improper loading can cause the product to be top-heavy. 	<ul style="list-style-type: none"> Risk of injury. Top-heavy furniture can tip over. Overloaded shelves and drawers can break. 	<ul style="list-style-type: none"> Never exceed the weight limits shown in the instructions. Work from bottom to top when loading shelves and drawers. Place the heavier items on the lower shelves or in lower drawers.
<ul style="list-style-type: none"> Improperly moving furniture that is not designed and equipped with casters. 	<ul style="list-style-type: none"> Furniture can tip over or break if improperly moved. Physical injury. Furniture can be very heavy. Breakage of tops - particularly with double pedestal furniture (drawers at both ends). 	<ul style="list-style-type: none"> Unload shelves and drawers from top to bottom before moving the unit. Do not push furniture, especially on a carpeted floor. Have a friend help you lift the item and set it in place. Provide support to the center section of the top when lifting the furniture.
<ul style="list-style-type: none"> Placing TVs on furniture items that are not designed to support a television is hazardous. 	<ul style="list-style-type: none"> Risk of injury or death. TVs can be very heavy. Plus the weight and location of the picture tube tends to make TVs unbalanced and prone to tipping forward. 	<ul style="list-style-type: none"> This product is not designed to support a television.

⚠ AVERTISSEMENT

Prière d'utiliser le mobilier à bon escient et avec prudence. Une mauvaise utilisation peut être à l'origine de risques d'accident ou peut endommager le mobilier et les articles ménagers. **Lire attentivement le tableau suivant.**

À surveiller :	Danger éventuel :	Solution :
<ul style="list-style-type: none"> Tablettes ou tiroirs surchargés. En cas de chargement inadéquat l'élément peut être lourd du haut. 	<ul style="list-style-type: none"> Risque de blessure. Du mobilier mal équilibré risque de se renverser. Tablettes et tiroirs surchargés risquent de casser. 	<ul style="list-style-type: none"> Ne jamais excéder les limites de poids indiquées dans les instructions. Pour charger les tablettes et tiroirs, commencer par remplir celui du bas pour finir par celui du haut. Placer les articles plus lourds sur les tablettes inférieures ou dans les tiroirs inférieurs.
<ul style="list-style-type: none"> Déplacement inadéquat d'un mobilier qui n'est pas conçu pour avoir des roulettes et n'en est pas équipé. 	<ul style="list-style-type: none"> Le mobilier risque de se renverser ou de casser en cas de déplacement inadéquat. Blessure physique. Le mobilier peut être très lourd. Défaillance des dessus surtout avec les éléments de double piédestaux (tiroirs en chaque extrémité). 	<ul style="list-style-type: none"> Décharger les tablettes et tiroirs en commençant par celui du haut avant de déplacer l'élément. Ne pas pousser le meuble, surtout sur la moquette. Se faire aider par une autre personne pour soulever l'élément et le mettre en place. Supporter la section centrale du dessus lorsque l'on soulève le meuble.
<ul style="list-style-type: none"> Il est dangereux de placer des téléviseurs sur des meubles que ne sont pas prévus à cet effet. 	<ul style="list-style-type: none"> Risque de blessures graves, voire mortelles. Les téléviseurs peuvent être particulièrement lourds. De plus, le poids et l'emplacement du tube image ont tendance à rendre les téléviseurs instables et enclins à tomber vers l'avant. 	<ul style="list-style-type: none"> Ce produit n'est pas destiné à supporter un téléviseur.

ADVERTENCIA

Por favor use el mobiliario correcta y seguramente. El mal uso puede causar riesgos de seguridad o daño a las unidades o artículos domésticos. **Cuidadosamente lea la tabla a continuación.**

Esté alerta de:	Puede ocurrir:	Evitar el problema:
<ul style="list-style-type: none">• Estantes o cajones sobrecargados.• Cargar el producto de manera inadecuada puede causar la inestabilidad.	<ul style="list-style-type: none">• Riesgo de lesiones.• El mobiliario inestable puede volcarse.• Estantes y cajones sobrecargados pueden romperse.	<ul style="list-style-type: none">• Nunca exceder los límites de peso indicados en las instrucciones.• Cargue los estantes y cajones a partir de la base y trabaje hacia arriba. Coloque los artículos más pesados sobre los estantes inferiores o en los cajones inferiores.
<ul style="list-style-type: none">• Mover incorrectamente el mobiliario que no está diseñado y provisto con ruedecitas.	<ul style="list-style-type: none">• La inclinación o rotura del mobiliario es posible si se mueve de manera inadecuada.• Lesión física. El mobiliario puede ser muy pesado.• Rotura de las superficies especialmente las unidades con dos pedestales (con cajones en cada extremo).	<ul style="list-style-type: none">• Descargue los estantes y cajones desde arriba hacia abajo antes de mover la unidad.• No empuje la unidad, especialmente sobre un piso alfombrado. Pide la ayuda de otra persona para levantar la unidad y colocarla en lugar.• Soporte la sección central del panel superior cuando levanta el mueble.
<ul style="list-style-type: none">• Es peligroso colocar los televisores sobre unidades de mobiliario que no están diseñadas para soportar un televisor.	<ul style="list-style-type: none">• Riesgo de lesiones o muerte. Los televisores pueden ser muy pesados. Además, el peso y la ubicación del tubo de imagen tienden a causar la inestabilidad de televisores y propensa a volcarse hacia adelante.	<ul style="list-style-type: none">• Este producto no está diseñado para soportar un televisor.

5-YEAR LIMITED WARRANTY

1. Sauder Woodworking Co. (Sauder®) provides limited warranty coverage to the original purchaser of this product for a period of five years from the date of purchase against defects in materials or workmanship of Sauder furniture components. As used in this Warranty, "defect" means imperfections in components which substantially impair the utility of the product. This Warranty gives you specific legal rights, and you may also have other rights which vary from state to state.

2. There is no warranty coverage for defects or conditions that result from the failure to follow product assembly instructions, information or warnings, misuse or abuse, intentional damage, fire, flood, alteration or modification of the product, or use of the product in a manner inconsistent with its intended use, nor any condition resulting from incorrect or inadequate maintenance, cleaning, or care. There is also no warranty coverage for rented products or any products purchased "used" or "as is", at a distress or going-out-of business sale, or from a liquidator.

3. As the exclusive remedy under this Warranty, Sauder will (at its sole option) repair, replace or refund the value of any defective furniture component. Sauder may require independent confirmation of the claimed defect and proof of purchase. Replacement parts will be warranted for only the remaining period of the original Warranty. SAUDER SHALL HAVE NO LIABILITY FOR ANY INCIDENTAL OR CONSEQUENTIAL DAMAGES OF ANY KIND and all such damages are EXCLUDED FROM THIS WARRANTY, such as loss of use, disassembly, transportation, labor or damage to property on or near the product. Some states do not allow the exclusion or limitation of incidental or consequential damages, so the above limitation or exclusion may not apply to you.

GARANTIE LIMITÉE DE 5 ANS

1. Sauder Woodworking Co. (Sauder®) offre une couverture de garantie limitée à l'acheteur initial du présent produit pendant une période de cinq ans à compter de la date d'achat contre tout défaut de matériaux ou de fabrication des composantes de mobilier Sauder. Le mot « défaut », tel qu'il est utilisé sous les termes de la présente garantie, comprend les imperfections des pièces qui empêchent substantiellement l'utilisation du produit. La présente garantie vous donne des droits légaux spécifiques et il est possible que vous ayez des droits supplémentaires variant d'État en État ou de province en province.

2. La présente garantie ne saurait couvrir les défauts ou conditions qui surviendraient à la suite du non respect des instructions, informations ou mises en garde de montage, d'une mauvaise utilisation ou d'un abus, d'un dommage intentionnel, d'un incendie, d'une inondation, d'une altération ou modification du produit, d'une utilisation du produit allant à l'encontre de son usage prévu, ni aucune condition résultant d'une maintenance, d'un nettoyage ou d'un entretien inappropriés ou inadéquats. De plus, il n'existe aucune garantie pour les produits loués ou tous les produits achetés « d'occasion » ou « en l'état », dans le cadre d'une vente aux enchères ou de solde pour cessation de commerce, ou auprès d'un liquidateur.

3. En tant que recours exclusif en vertu de la présente garantie, Sauder réparera, remplacera ou remboursera (sur sa seule décision) la valeur de toute composante de mobilier défectueuse. Sauder peut exiger une confirmation indépendante du défaut revendiqué ainsi qu'une preuve d'achat. Les pièces de rechange seront garanties uniquement pendant la période restante de la garantie originale. SAUDER NE SERA EN AUCUN CAS RESPONSABLE DE TOUT DOMMAGE ACCESSOIRE OU CONSÉCUTIF DE TOUTE SORTE et lesdits dommages sont EXCLUS DE LA PRÉSENTE GARANTIE, à savoir perte d'utilisation, démontage, transport, main d'œuvre ou dommages matériels sur ou à proximité du produit. Certains États ou provinces ne permettant pas l'exclusion ou la limite aux responsabilités pour dommages accidentels ou consécutifs, la limite ou l'exclusion ci-dessus peut ne pas être applicable.

GARANTÍA LIMITADA DE 5 AÑOS

1. Sauder Woodworking Co. (Sauder®) provee cobertura de garantía limitada al comprador original de este producto por un período de cinco años, a partir de la fecha de compra, contra defectos en los materiales o de mano de obra en los componentes de muebles Sauder. Como es utilizado en esta Garantía, "defecto" significa imperfecciones en los componentes que de manera fundamental afecta la utilidad del producto. Esta Garantía le permite a usted ciertos derechos legales, y usted también podría poseer otros derechos adicionales, los cuales varían de estado a estado.

2. No hay cobertura de garantía para defectos o estados que resulten del incumplimiento en seguir las instrucciones, la información o las advertencias sobre el ensamblaje del producto; del uso incorrecto o maltrato, del daño intencional, incendio, inundación, cambio o modificación del producto; o de la utilización del producto de manera contradictoria con el uso para el cual fue fabricado, ni por ningún estado que resulte del mantenimiento, limpieza o cuidado incorrecto o inadecuado. Tampoco no hay cobertura de garantía para los productos rentados o para cualesquiera productos comprados "de uso" o "como está", en una venta de bienes embargados o en una venta por salirse del negocio, o comprados a un liquidador.

3. Como un recurso exclusivo bajo esta Garantía, Sauder (sólo a su opción) reparará, reemplazará o reembolsará el valor de cualquier componente defectuoso de mueble. Sauder puede requerir una confirmación independiente de un defecto reclamado y una prueba de compra. Las piezas de repuesto serán garantizadas solamente por el período de tiempo que queda de la Garantía original. SAUDER NO TENDRÁ RESPONSABILIDAD POR NINGÚN DAÑO INCIDENTAL O CONSUCUENTE DE NINGÚN TIPO y todos dichos daños SE EXCLUYEN DE ESTA GARANTÍA, tales como pérdida de uso, desensamblaje, transportación, trabajo o daño a la propiedad en o cerca del producto. Algunos estados no permiten la exclusión o limitación de daños incidentales o consecuentes, en tales instancias la limitación o exclusión antes mencionada podría no ser aplicable a usted.

4. This Warranty applies only to warranted defects that first arise and are reported to Sauder within the warranty coverage period. The Warranty cannot be transferred to subsequent owners or users of the product, and it shall be immediately void in the event the product is resold, transferred, leased or rented to any third party or person other than the original purchaser.

5. THERE ARE NO OTHER WARRANTIES APPLICABLE TO THIS PRODUCT. Under the laws of certain states, there may be no implied warranties from Sauder and all implied warranties, INCLUDING ANY IMPLIED WARRANTY OF MERCHANTABILITY OR FITNESS FOR A PARTICULAR PURPOSE are disclaimed where allowed by law. TO THE EXTENT ANY IMPLIED WARRANTIES ARE APPLICABLE, ANY IMPLIED WARRANTIES, INCLUDING ANY IMPLIED WARRANTY OF MERCHANTABILITY OR FITNESS FOR A PARTICULAR PURPOSE, ARE LIMITED IN DURATION TO THE DURATION OF THIS EXPRESS WARRANTY or the minimum period allowed by law, whichever is shorter. Some states do not allow limitations on how long an implied Warranty lasts, so the above limitation may not apply to you.

6. For Warranty inquiries or claims, please visit our website www.sauder.com. You can also contact Sauder at 1.800.523.3987. Sauder may require Warranty claims to be submitted in writing to: Sauder Woodworking Co., 502 Middle Street, Archbold, OH 43502 USA. Please include your sales receipt or other proof of purchase and a specific description of the product defect.

4. La présente garantie ne s'applique qu'aux défauts garantis qui se produisent pour la première fois et qui sont signalés à Sauder dans les limites de couverture de la garantie. La garantie ne peut pas être transférée à des propriétaires ou utilisateurs subséquents du produit, et sera immédiatement invalidée dans le cas où le produit est revendu, transféré, loué sous bail ou loué à une tierce partie ou personne autre que l'acheteur original.

5. IL N'EXISTE AUCUNE AUTRE GARANTIE EN VIGUEUR POUR LE PRÉSENT PRODUIT. En vertu des lois de certains États ou provinces, il ne peut y avoir de garanties implicites de la part de Sauder et toutes les garanties implicites, Y COMPRIS TOUTE GARANTIE IMPLICITE DE COMMERCIALITÉ OU D'ADAPTATION À UN USAGE PARTICULIER sont déclinées partout où la loi l'autorise. DANS LA MESURE OÙ TOUTE GARANTIE IMPLICITE EST APPLICABLE, TOUTE GARANTIE IMPLICITE, Y COMPRIS TOUTE GARANTIE DE COMMERCIALITÉ OU D'ADAPTATION À UN USAGE PARTICULIER, EST LIMITÉE À LA DURÉE DE LA PRÉSENTE GARANTIE EXPRESSE ou à la période minimum autorisée par la loi, la période la plus courte étant retenue. Certains États ne permettant pas que des limites soient imposées quant à la durée d'une garantie implicite, la limite ci-dessus peut donc ne pas être applicable.

6. Pour toute question concernant la garantie ou toute demande de réclamation, consulter le site Web www.sauder.com. Il est également possible de contacter Sauder en composant le 1.800.523.3987. Sauder peut exiger de soumettre les demandes de réclamation sous garantie par écrit à : Sauder Woodworking Co., 502 Middle Street, Archbold, OH 43502 USA. Veuillez joindre votre ticket de caisse ou toute autre preuve d'achat ainsi qu'une description spécifique du défaut de produit.

4. Esta Garantía sólo es aplicable a defectos garantizados que primeramente surjan y se informen a Sauder dentro del período de cobertura de garantía. La Garantía no puede ser transferida a propietarios o usuarios subsiguientes del producto, y ésta será inmediatamente invalidada en el caso que el producto sea revendido, transferido, arrendado o rentado a cualquier tercero u otra persona que no sea el comprador original.

5. NO HAY OTRA GARANTÍA APLICABLE A ESTE PRODUCTO. Bajo las leyes de ciertos estados, pueden no haber garantías implícitas de Sauder y se hace renuncia de responsabilidad de todas las garantías implícitas donde lo permita la ley, INCLUYENDO CUALQUIER GARANTÍA IMPLICITA DE MERCANTIBILIDAD O DE APTITUD PARA UN PROPOSITO EN PARTICULAR. EN LA MEDIDA CUALQUIER GARANTÍA IMPLICITA ES APLICABLE, CUALESQUIERA GARANTÍAS IMPLICITAS, INCLUYENDO AQUELLA DE MERCANTIBILIDAD O DE APTITUD PARA UN PROPOSITO EN PARTICULAR, SE LIMITAN EN DURACIÓN HASTA LA DURACIÓN DE ESTA GARANTÍA IMPLICITA o hasta el periodo mínimo permitido por la ley, la que sea más corta. Algunos estados no permiten limitaciones en cuanto a la duración de una garantía implícita, por eso la limitación arriba citada pueda no ser aplicable a usted.

6. Para solicitud de información o reclamación de Garantía, por favor, visite nuestro sitio Web www.sauder.com. Usted también puede contactar a Sauder llamando al 1.800.523.3987. Sauder puede solicitar que las reclamaciones sean presentadas por escrito a: Sauder Woodworking Co., 502 Middle Street, Archbold, OH 43502 USA. Por favor incluya su recibo de venta u otra prueba de compra y una descripción detallada del defecto del producto.

CONTACT US FIRST BEFORE MAKING ANY RETURNS TO THE RETAILER.

Dear Valued Customer:

Thanks so much for choosing Sauder® furniture. I hope the purchase and set up of your OfficeWorks solution was a positive experience and you feel good about the furniture you just built.

My grandfather, Erie Sauder, founded the company in 1934 and later invented and patented the first commercially successful ready-to-assemble tables. We strive to hold true to his core values of innovation, integrity, servanthood and stewardship.

Sauder products are made with environmentally responsible materials and world-class manufacturing processes. Our 2,000+ dedicated employees in Archbold, Ohio, along with our global manufacturing partners, are committed to providing you furniture with great value, style and quality.

From our family to you. Enjoy!



Kevin J. Sauder
President/CEO

If you need assistance, please contact our award-winning, Ohio-based customer service team at **877-996-7539** Monday-Friday 9 a.m. to 5:30 p.m. EST (except holidays) or at **sauder.com/officeservice**.

Register your new product online

For immediate service, our website is available 24 hours per day, 7 days per week to register your product, access assembly tips and view other Sauder products.
www.sauder.com/officeservice



We would love to hear your opinion. Rate and review your OfficeWorks furniture solution on our website.



Make some connections.
Share the story of your new office.



General Conformity Certificate

1. This certificate applies to the Sauder Woodworking Product identified by this Instruction Book.
2. This certificate applies to compliance of this product with the CPSC Ban on Lead-Containing Paint (16 CFR 1303).
3. This product is manufactured by:
Sauder Woodworking Company
502 Middle St.
Archbold, OH 43502
419-446-2711
4. Date of Manufacture: _____

OFFICE
WORKS | BY SAUDER®



Made in USA
with U.S. and imported materials