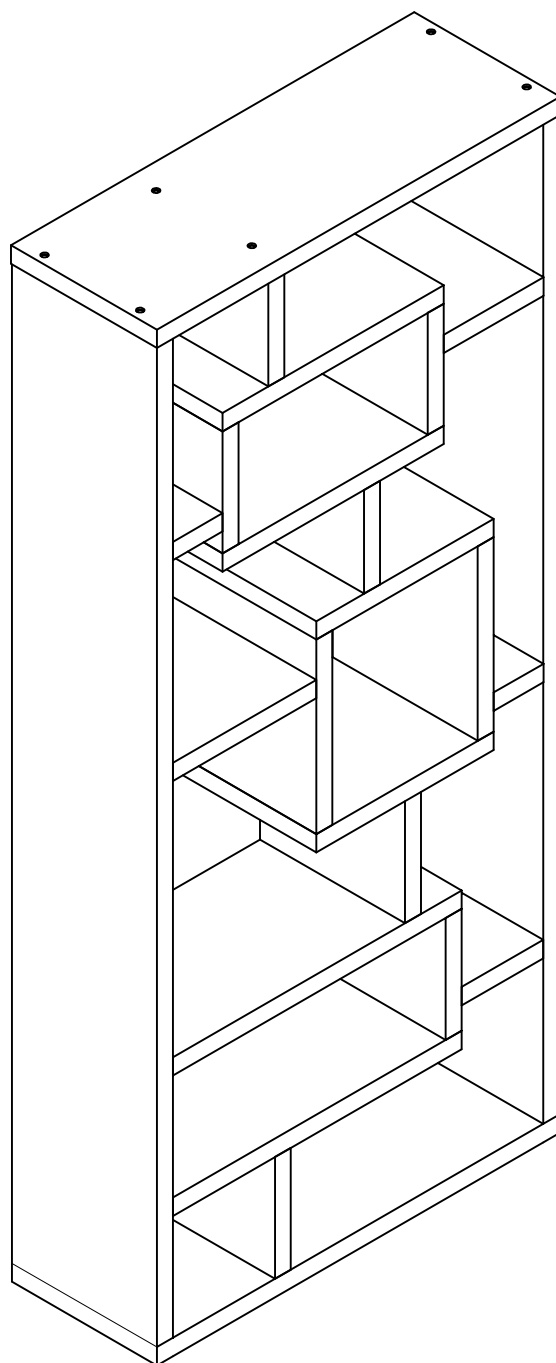


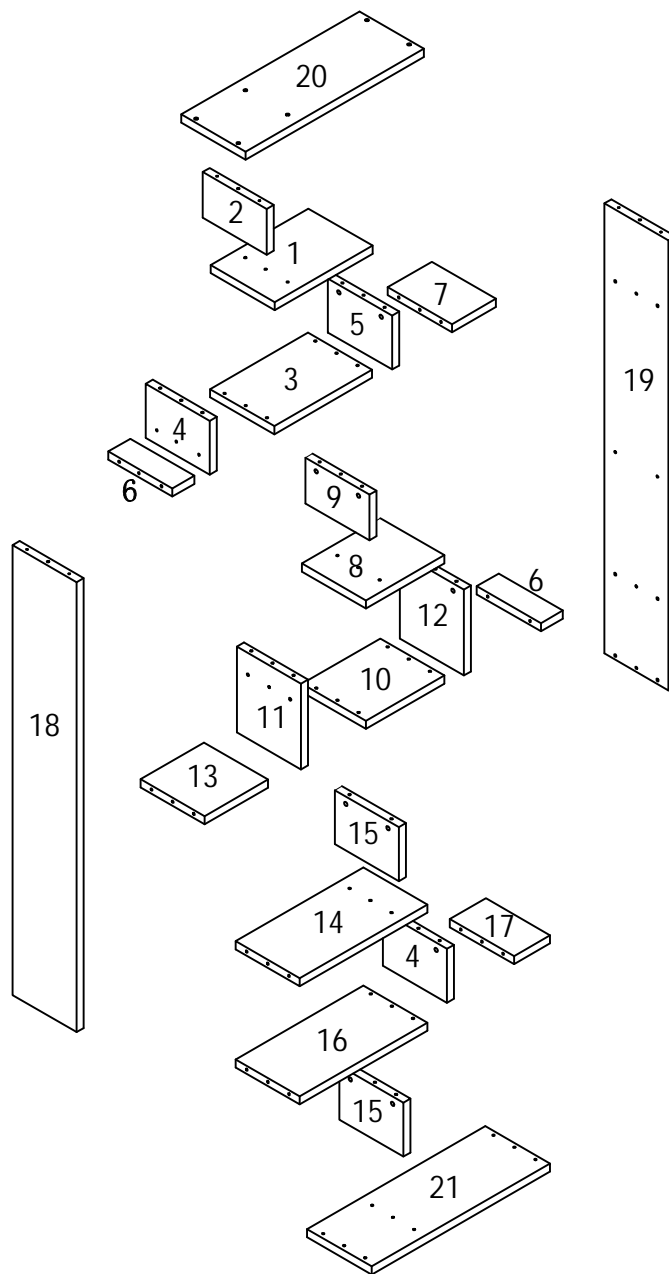
ASSEMBLY INSTRUCTIONS / INSTRUCTIONS D'ASSEMBLAGE

ITEM NO/NO ARTICLE: 26001GR、 26001-GREY



PARTS IDENTIFICATIONS / IDENTIFICATION DES PIECES

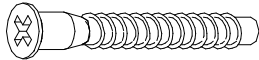


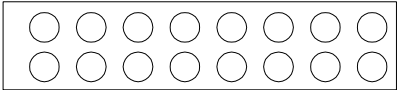
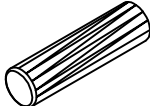

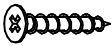

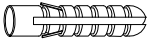

ITEM NO/NO ARTICLE: 26001GR、26001-GREY



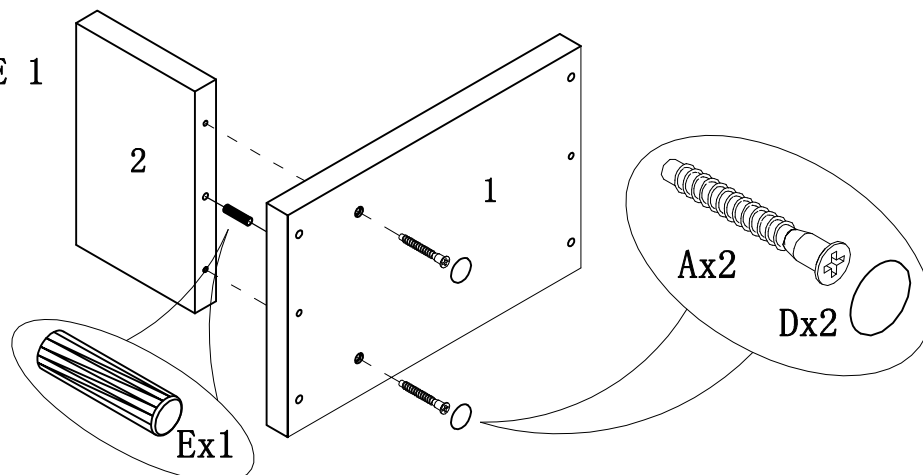
(1)	1pc/pce	(8)	1pc/pce	(15)	2pcs/pces
(2)	1pc/pce	(9)	1pc/pce	(16)	1pc/pce
(3)	1pc/pce	(10)	1pc/pce	(17)	1pc/pce
(4)	2pcs/pces	(11)	1pc/pce	(18)	1pc/pce
(5)	1pc/pce	(12)	1pc/pce	(19)	1pc/pce
(6)	2pcs/pces	(13)	1pc/pce	(20)	1pc/pce
(7)	1pc/pce	(14)	1pc/pce	(21)	1pc/pce

HARDWARE IDENTIFICATIONS/ IDENTIFICATION DU KIT D'ASSEMBLAGE

ITEM NO/NO ARTICLE: 26001GR、26001-GREY

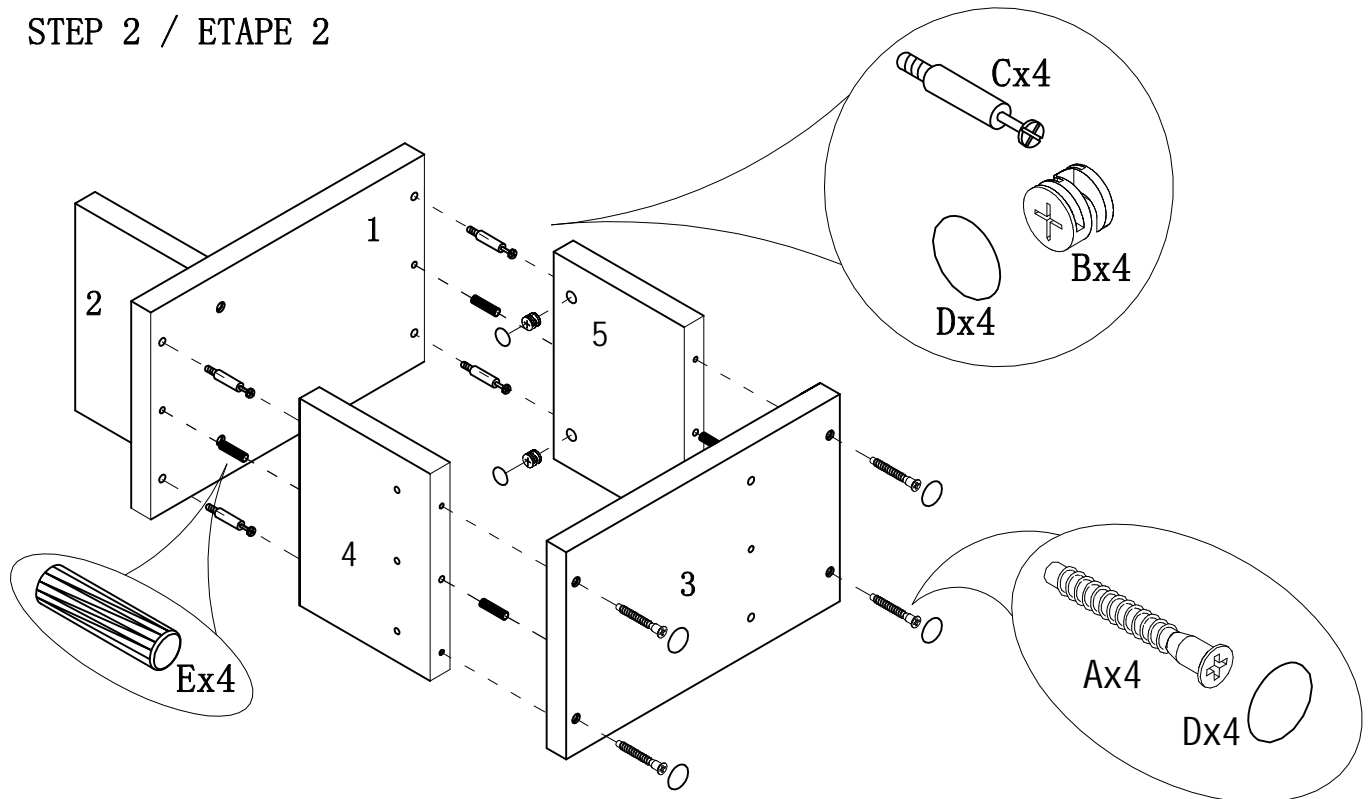
A		$\varnothing 7 \times 58$	28pcs/pces
B		$\varnothing 15$	40pcs/pces
C		L29	40pcs/pces
D		$\varnothing 18$	68pcs/pces
E		$\varnothing 8 \times 25$	34pcs/pces
F			1pc/pce
G		$\varnothing 4 \times 25$	1pc/pce
H		$\varnothing 5 \times 40$	1pc/pce
I			1pc/pce
J		To firmly secure the cover to the connecting hole / Pour coller la rondelle au trou de connexion	1pc/pce

STEP 1 / ETAPE 1

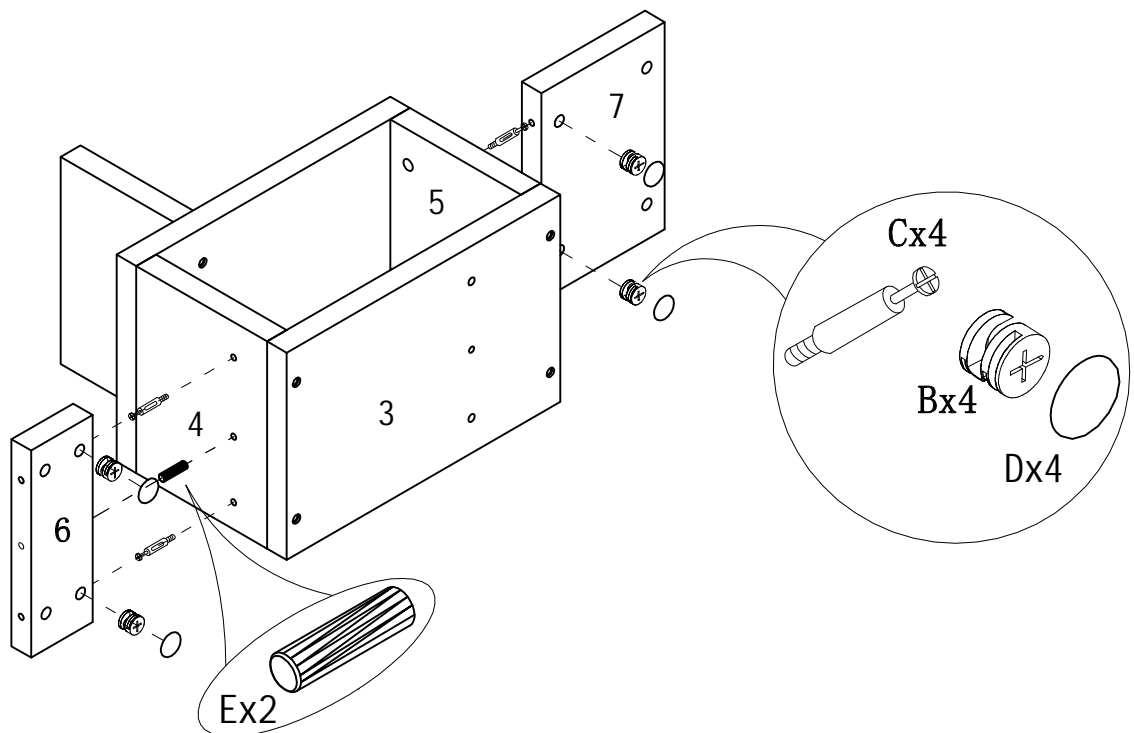


ITEM NO/NO ARTICLE: 26001GR、 26001-GREY

STEP 2 / ETAPE 2

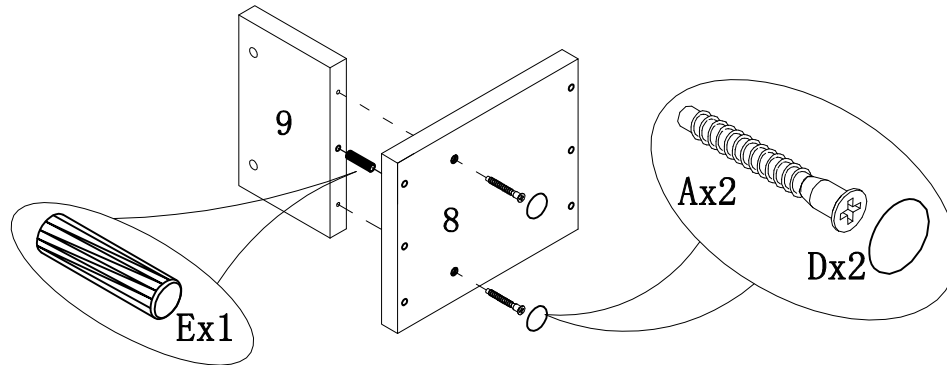


STEP 3 / ETAPE 3

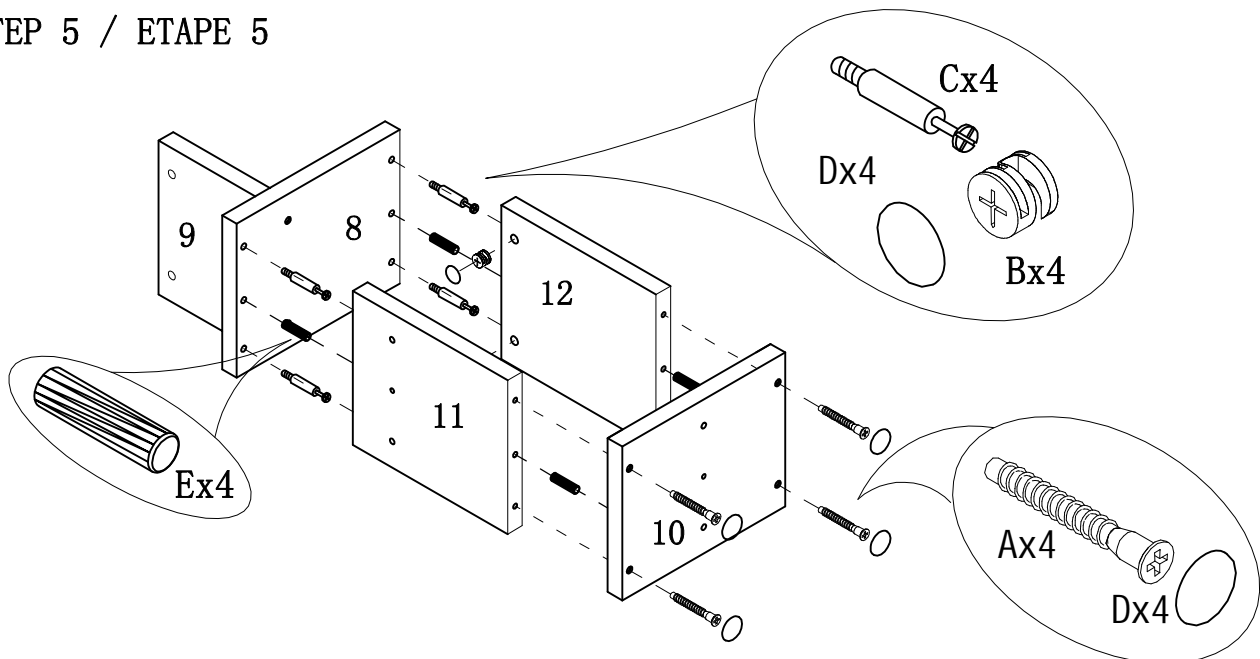


ITEM NO/NO ARTICLE: 26001GR、26001-GREY

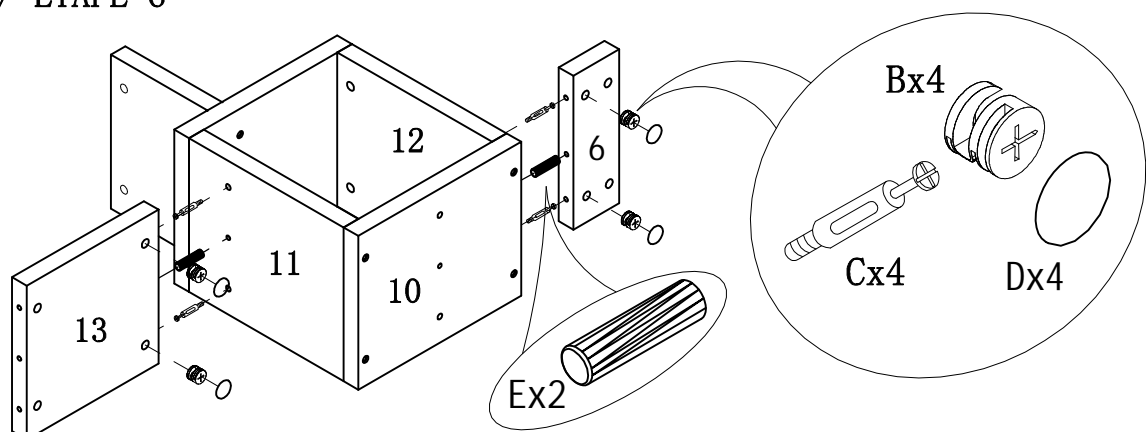
STEP 4 / ETAPE 4



STEP 5 / ETAPE 5

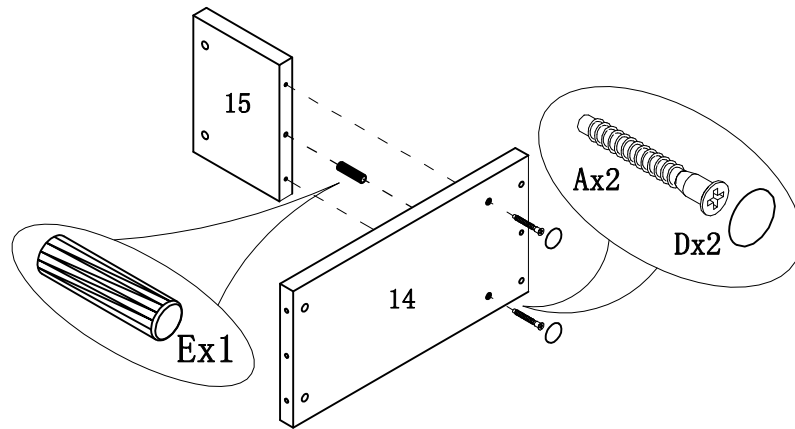


STEP 6 / ETAPE 6

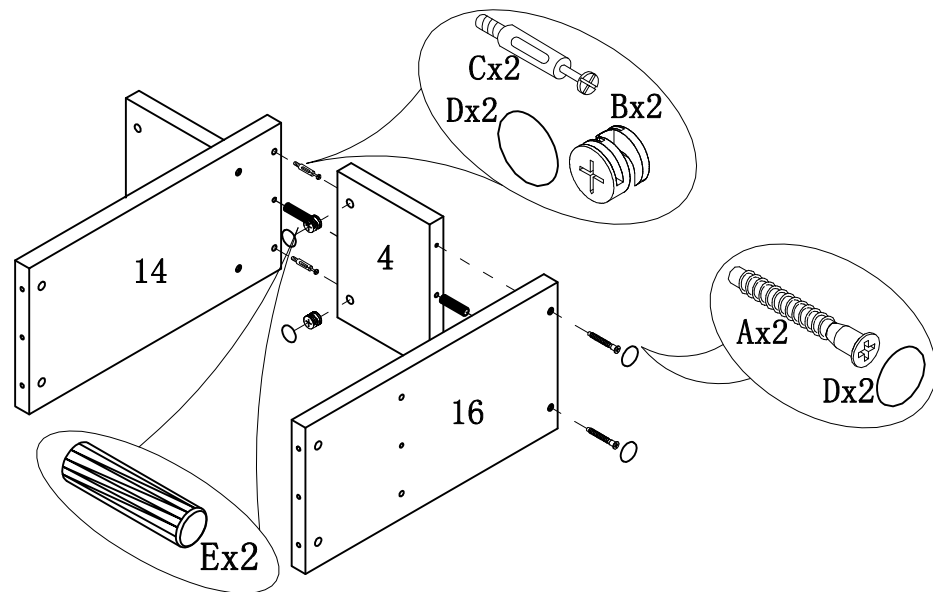


ITEM NO/NO ARTICLE: 26001GR、26001-GREY

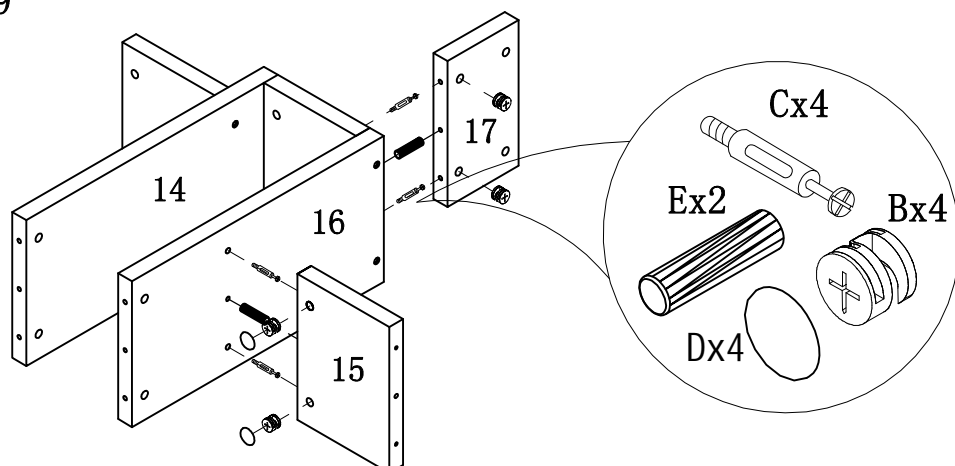
STEP 7 / ETAPE 7



STEP 8 / ETAPE 8

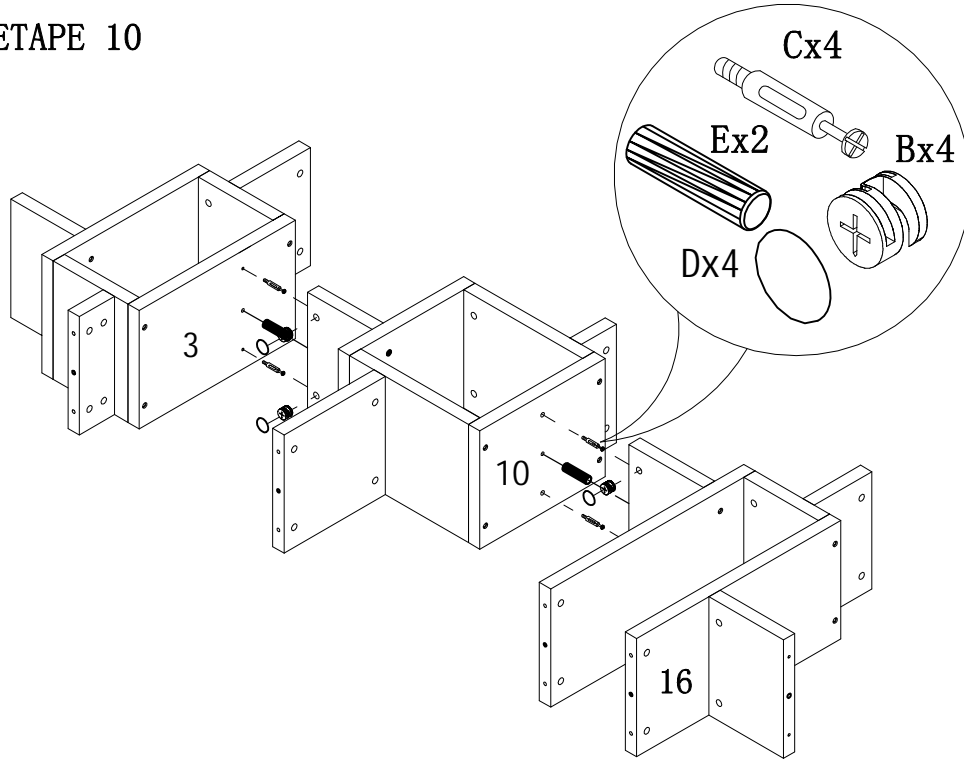


STEP 9 / ETAPE 9

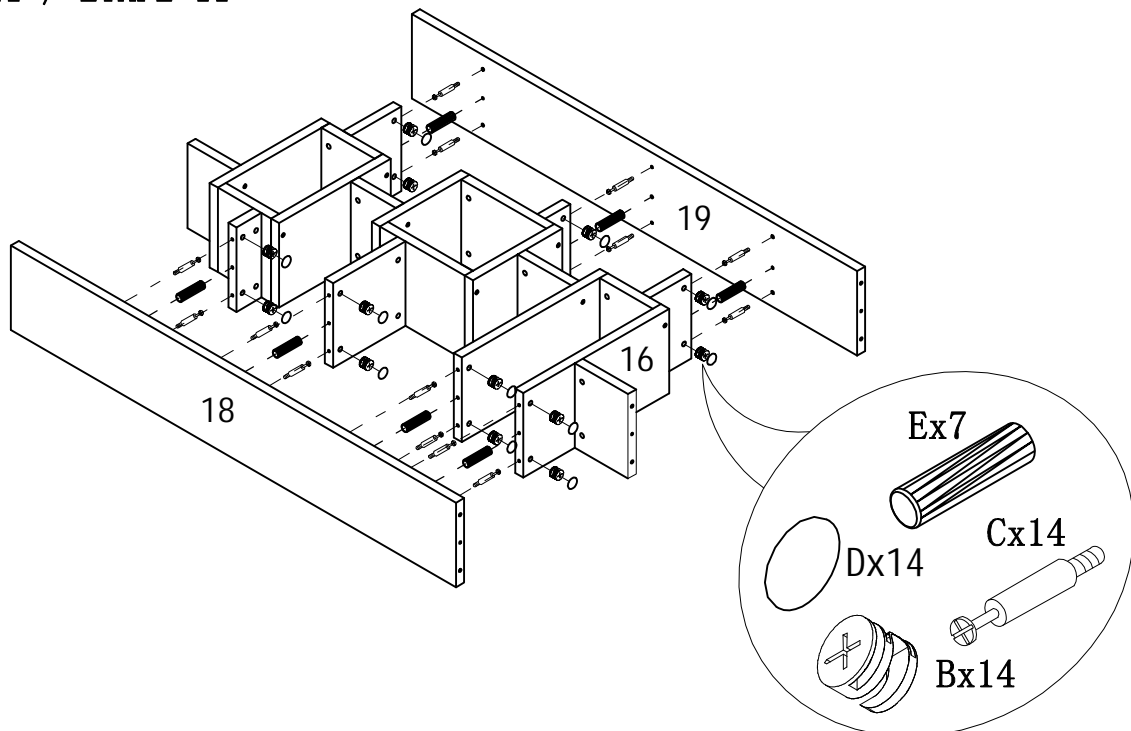


ITEM NO/NO ARTICLE: 26001GR、26001-GREY

STEP 10 / ETAPE 10

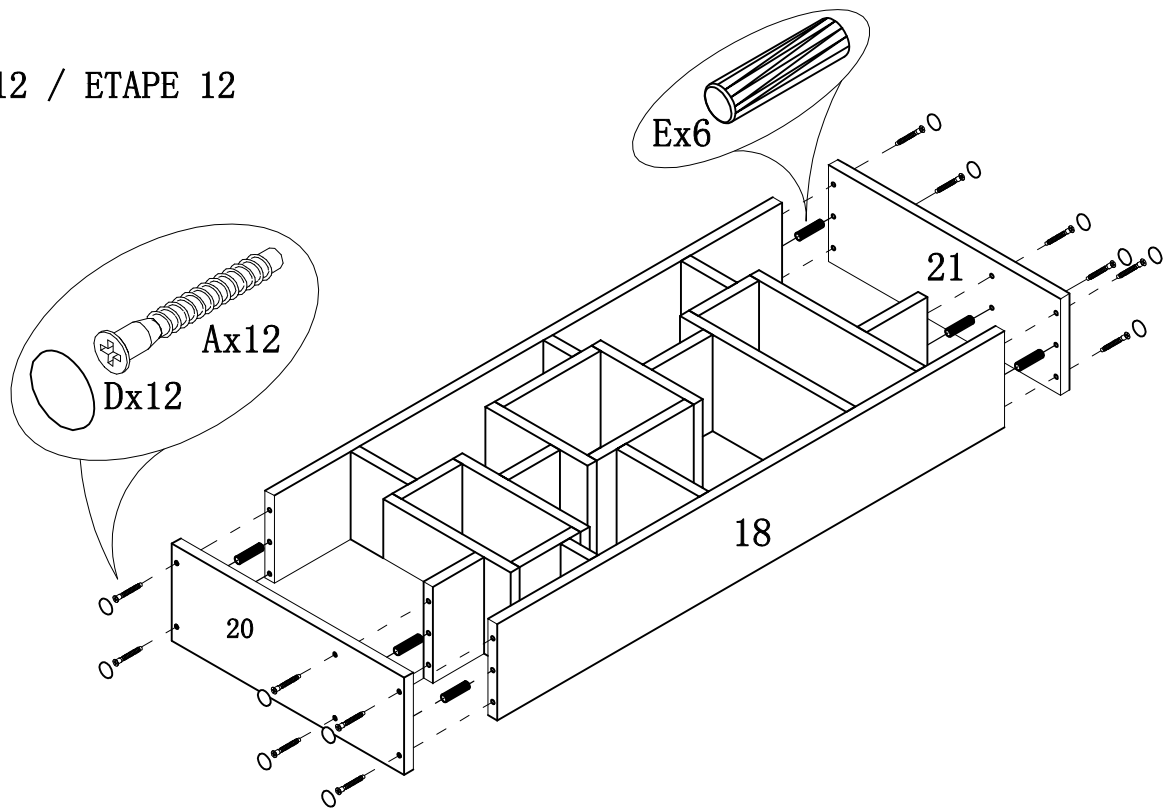


STEP 11 / ETAPE 11



ITEM NO/NO ARTICLE: 26001GR、 26001-GREY

STEP 12 / ETAPE 12



STEP 13 / ETAPE 13

