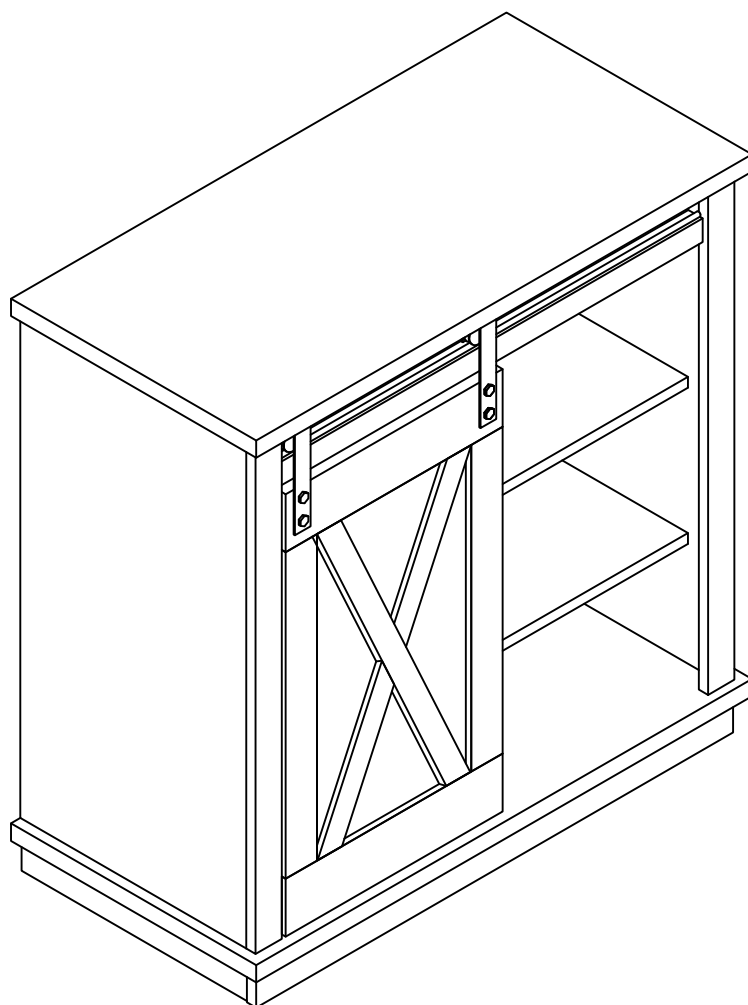


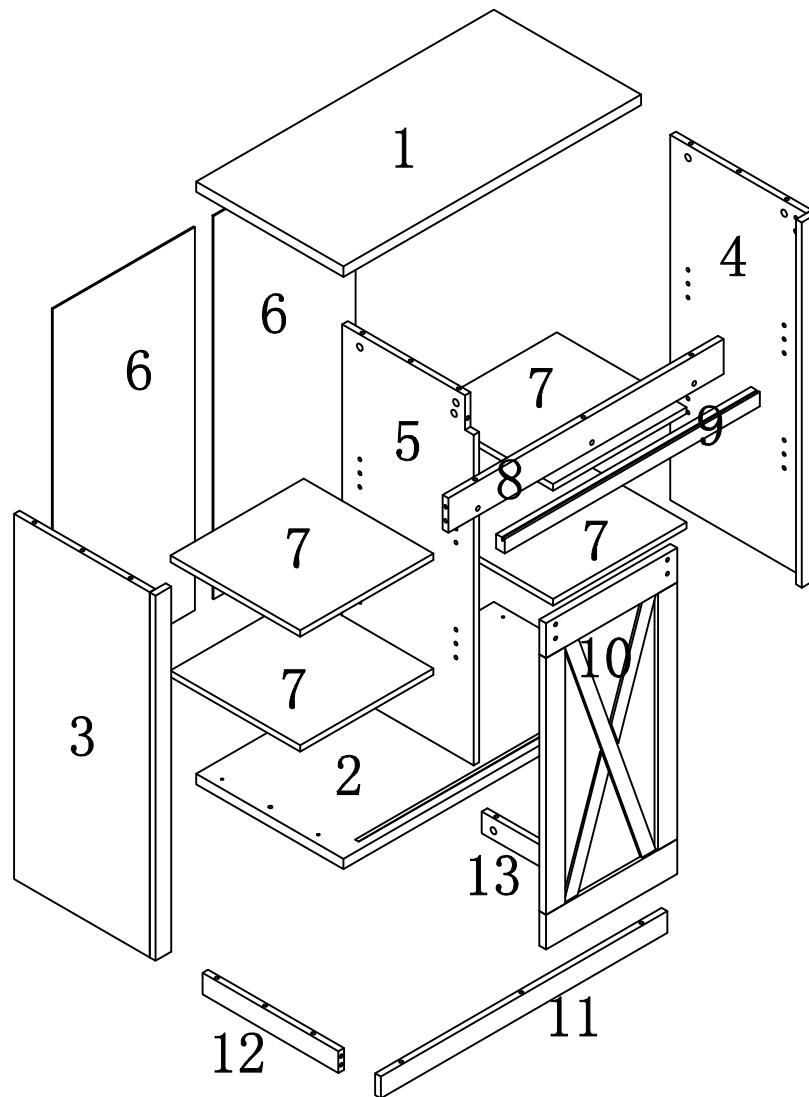
ASSEMBLY INSTRUCTIONS /
INSTRUCTIONS D'ASSEMBLAGE

ITEM NO/NO BRIBRACC/223133
BRIWHACC/223134



PARTS IDENTIFICATIONS / IDENTIFICATION DES PIECES


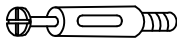

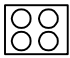




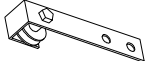

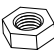







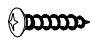
ITEM NO/NO BRIBRACC/223133
BRIWHACC/223134



(1)	1pc/pce	(8)	1pc/pce
(2)	1pc/pce	(9)	1pc/pce
(3)	1pc/pce	(10)	1pc/pce
(4)	1pc/pce	(11)	1pc/pce
(5)	1pc/pce	(12)	1pc/pce
(6)	2pcs/pces	(13)	1pc/pce
(7)	4pcs/pces		

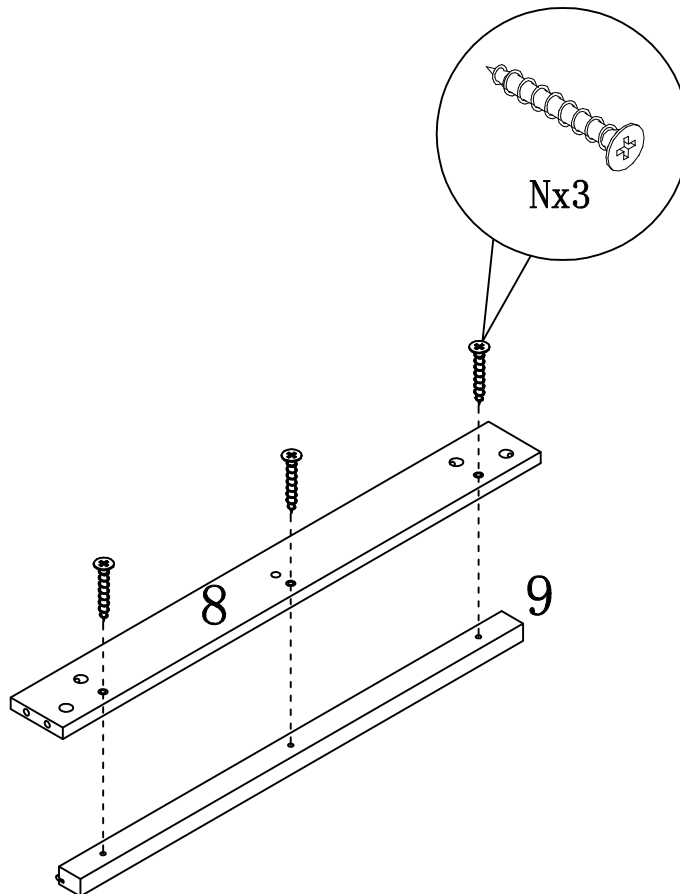
HARDWARE IDENTIFICATIONS/ IDENTIFICATION DU KIT D'ASSEMBLAGE

ITEM NO/NO BRIBRACC/223133
BRIWHACC/223134

A		$\Phi 15$	20pcs/pces
B		L29	20pcs/pces
C		$\Phi 8 \times 25$	14pcs/pces
D		$\Phi 22$	11pcs/pces
E		$\Phi 4 \times 35$	6pcs/pces
F			20pcs/pces
G		$\Phi 16$	6pcs/pces
H			16pcs/pces
I		TMJ9	2pcs/pces
J		$\Phi 6 \times 25$	4pcs/pces
K		$\Phi 6$	4pcs/pces
L		M10	2pcs/pces
M		$\Phi 6 \times 30$	2pcs/pces
N		$\Phi 4 \times 30$	3pcs/pces
O		197x5x1	1pc/pce
P		$\Phi 8 \times 40$	1pc/pce
Q		12x12x1	2pcs/pces
R		$\Phi 5 \times 40$	1pc/pce
S		$\Phi 4 \times 25$	1pc/pce

ITEM NO/NO BRIBRACC/223133
BRIWHACC/223134

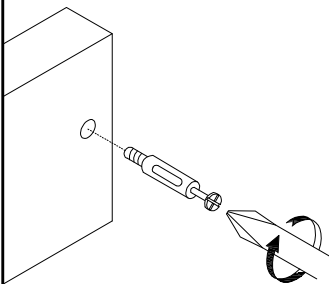
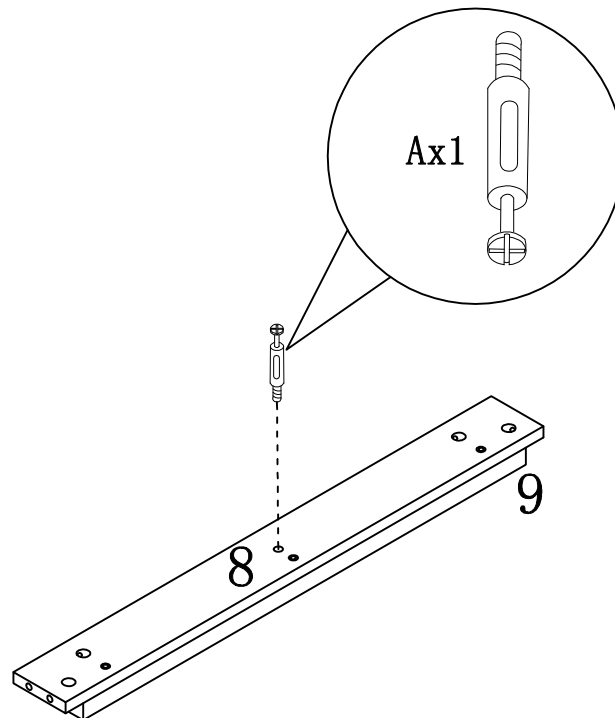
STEP 1 / ETAPE 1



TOOLS REQUIRED (NOT INCLUDED)
OUTILS REQUIS (NON COMPRIS)

ITEM NO/NO BRIBRACC/223133
BRIWHACC/223134

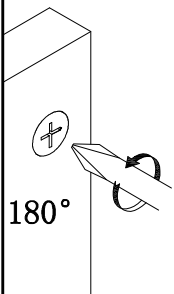
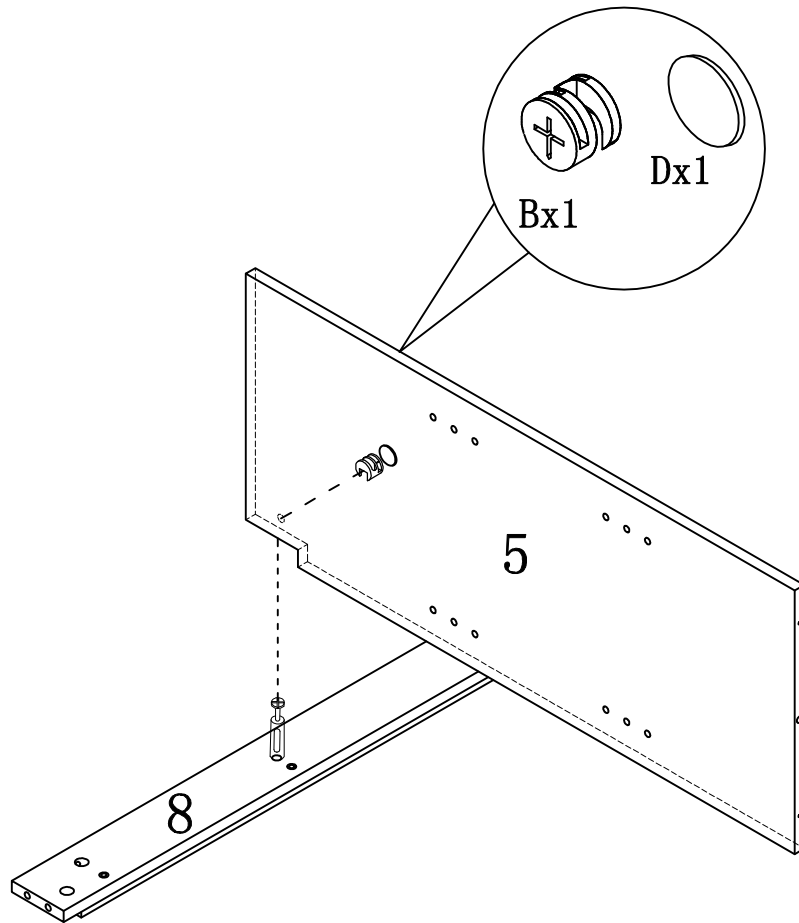
STEP 2 / ETAPE 2




TOOLS REQUIRED (NOT INCLUDED)
OUTILS REQUIS (NON COMPRIS)

ITEM NO/NO BRIBRACC/223133
BRIWHACC/223134

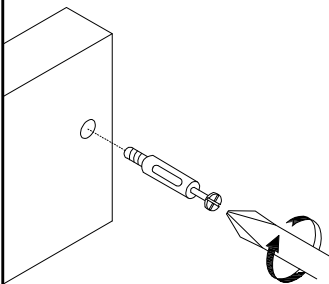
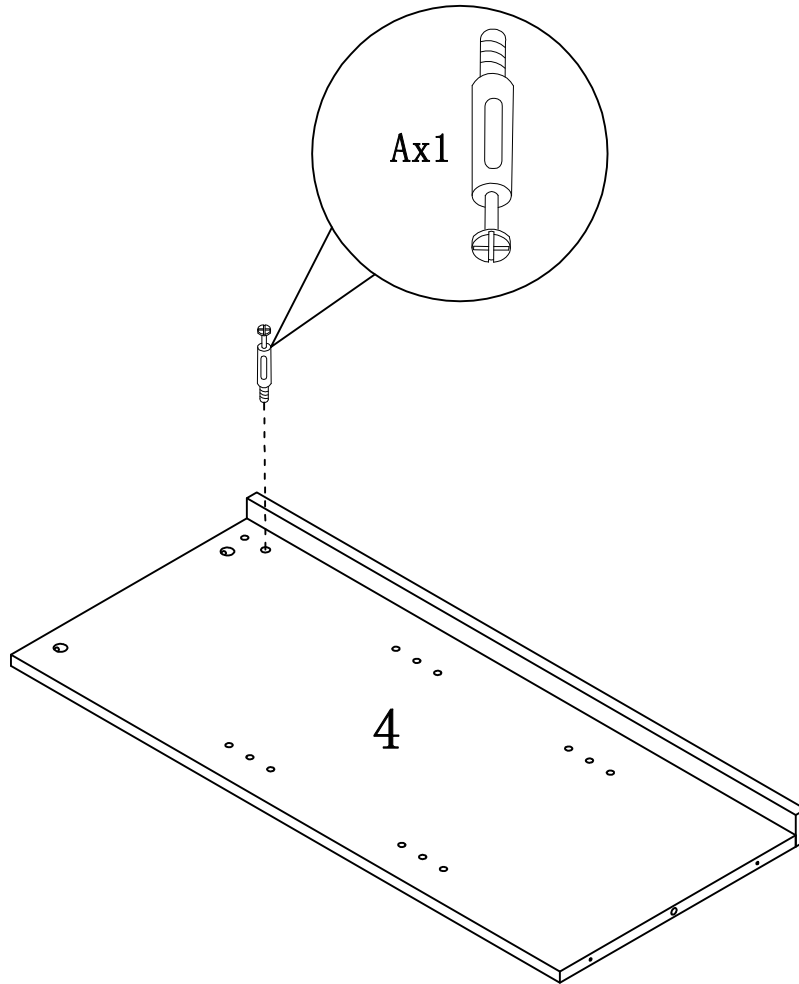
STEP 3 / ETAPE 3




TOOLS REQUIRED (NOT INCLUDED)
OUTILS REQUIS (NON COMPRIS)

ITEM NO/NO BRIBRACC/223133
BRIWHACC/223134

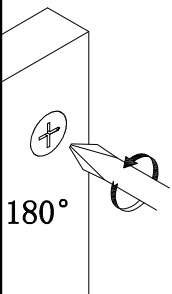
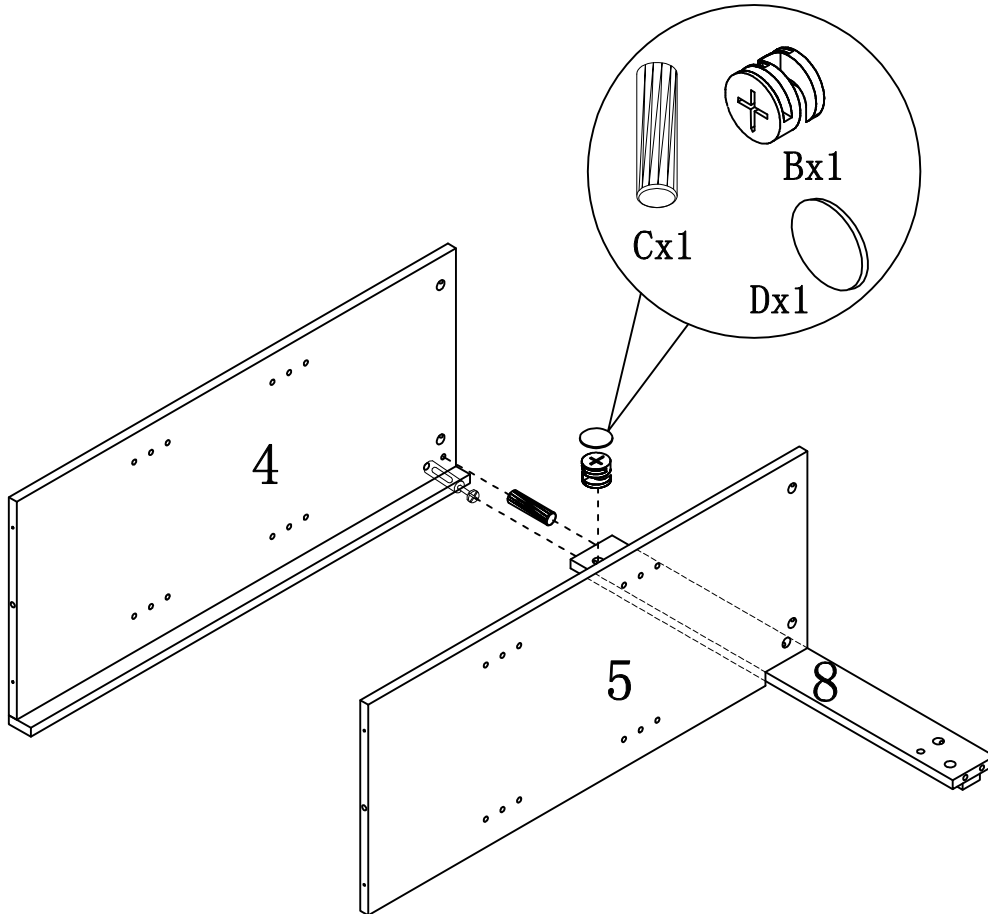
STEP 4 / ETAPE 4




TOOLS REQUIRED (NOT INCLUDED)
OUTILS REQUIS (NON COMPRIS)

ITEM NO/NO BRIBRACC/223133
BRIWHACC/223134

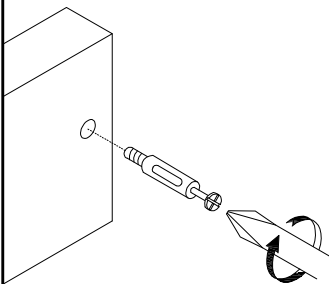
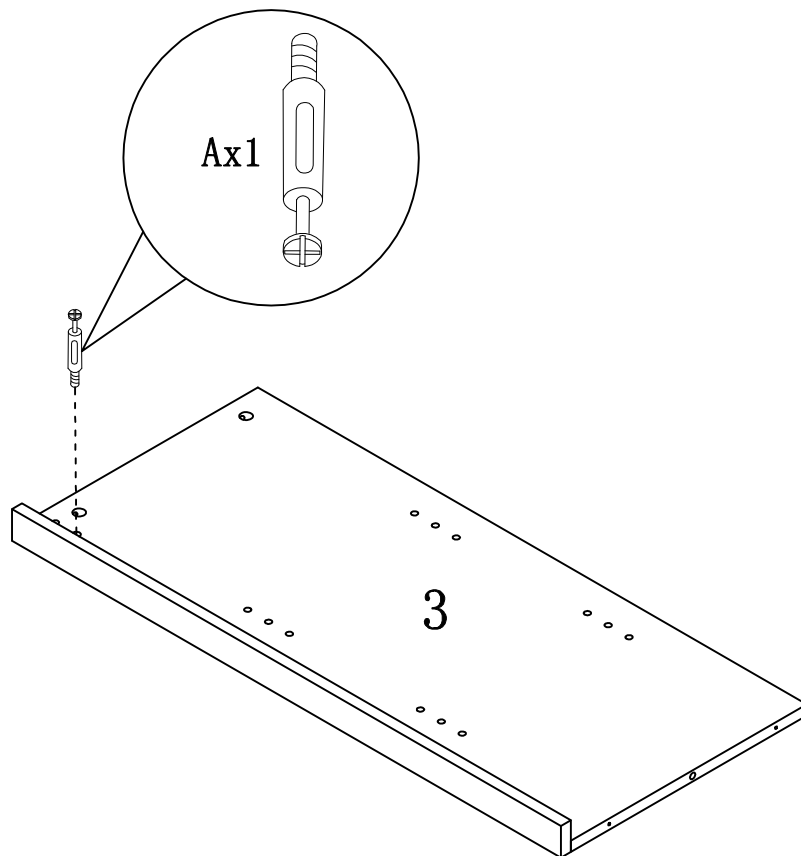
STEP 5 / ETAPE 5




TOOLS REQUIRED (NOT INCLUDED)
OUTILS REQUIS (NON COMPRIS)

ITEM NO/NO BRIBRACC/223133
BRIWHACC/223134

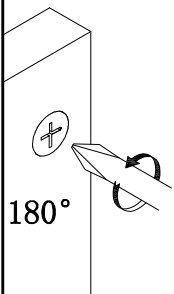
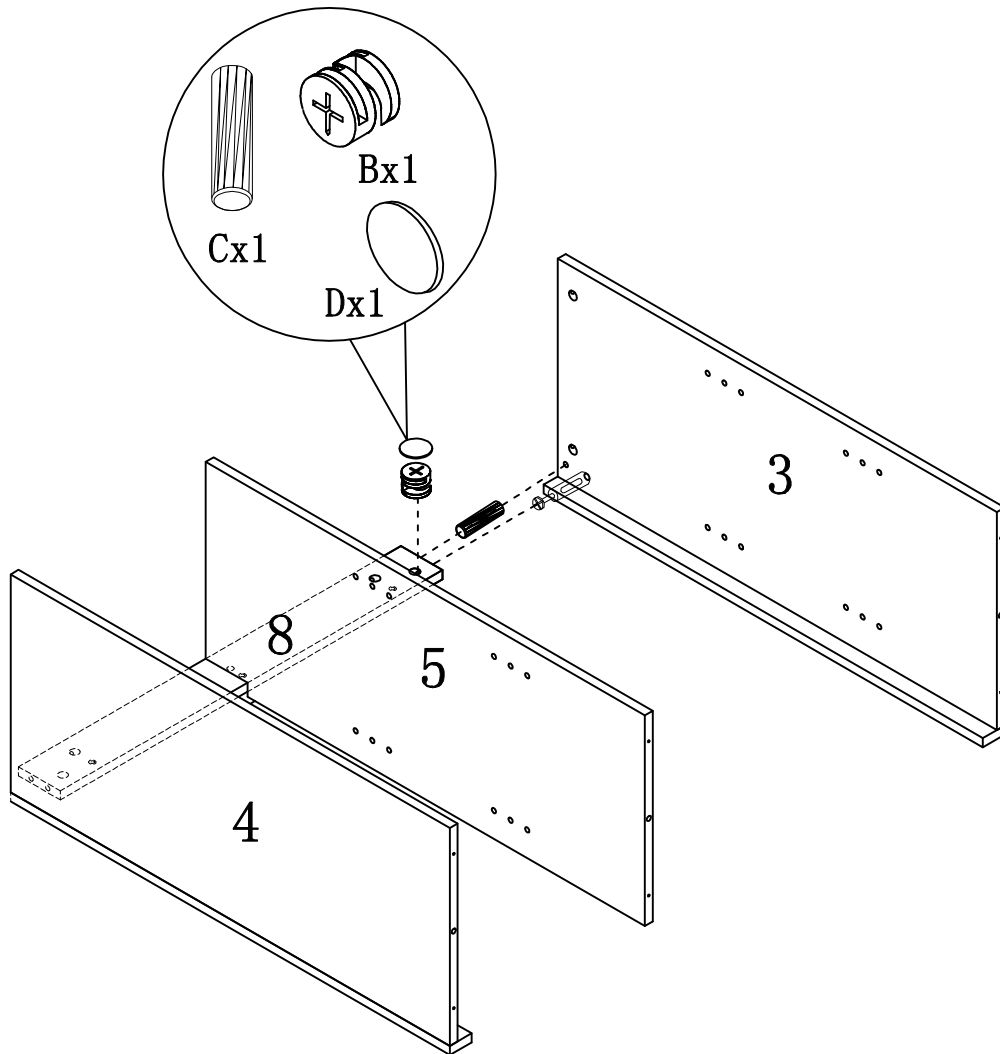
STEP 6 / ETAPE 6

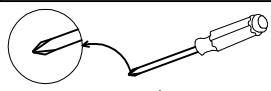


TOOLS REQUIRED (NOT INCLUDED)
OUTILS REQUIS (NON COMPRIS)

ITEM NO/NO BRIBRACC/223133
BRIWHACC/223134

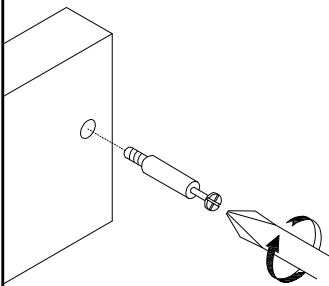
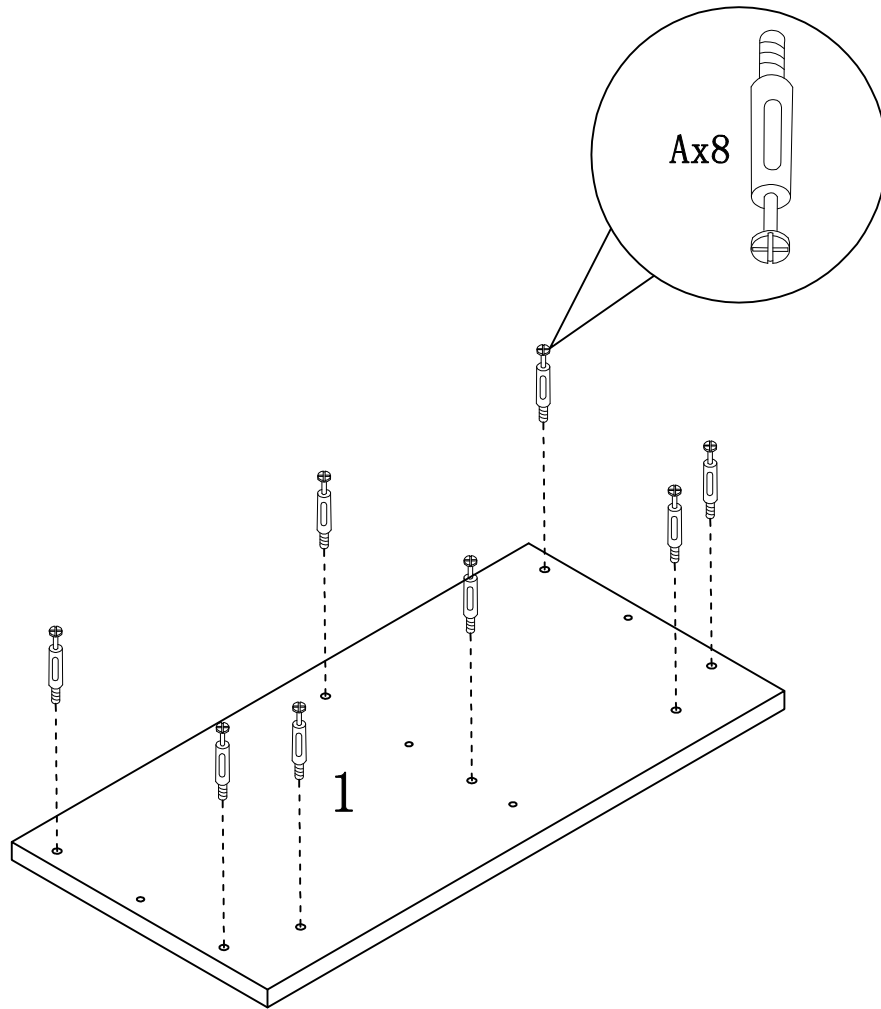
STEP 7 / ETAPE 7




TOOLS REQUIRED (NOT INCLUDED)
OUTILS REQUIS (NON COMPRIS)

ITEM NO/NO BRIBRACC/223133
BRIWHACC/223134

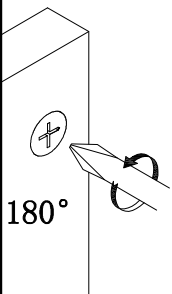
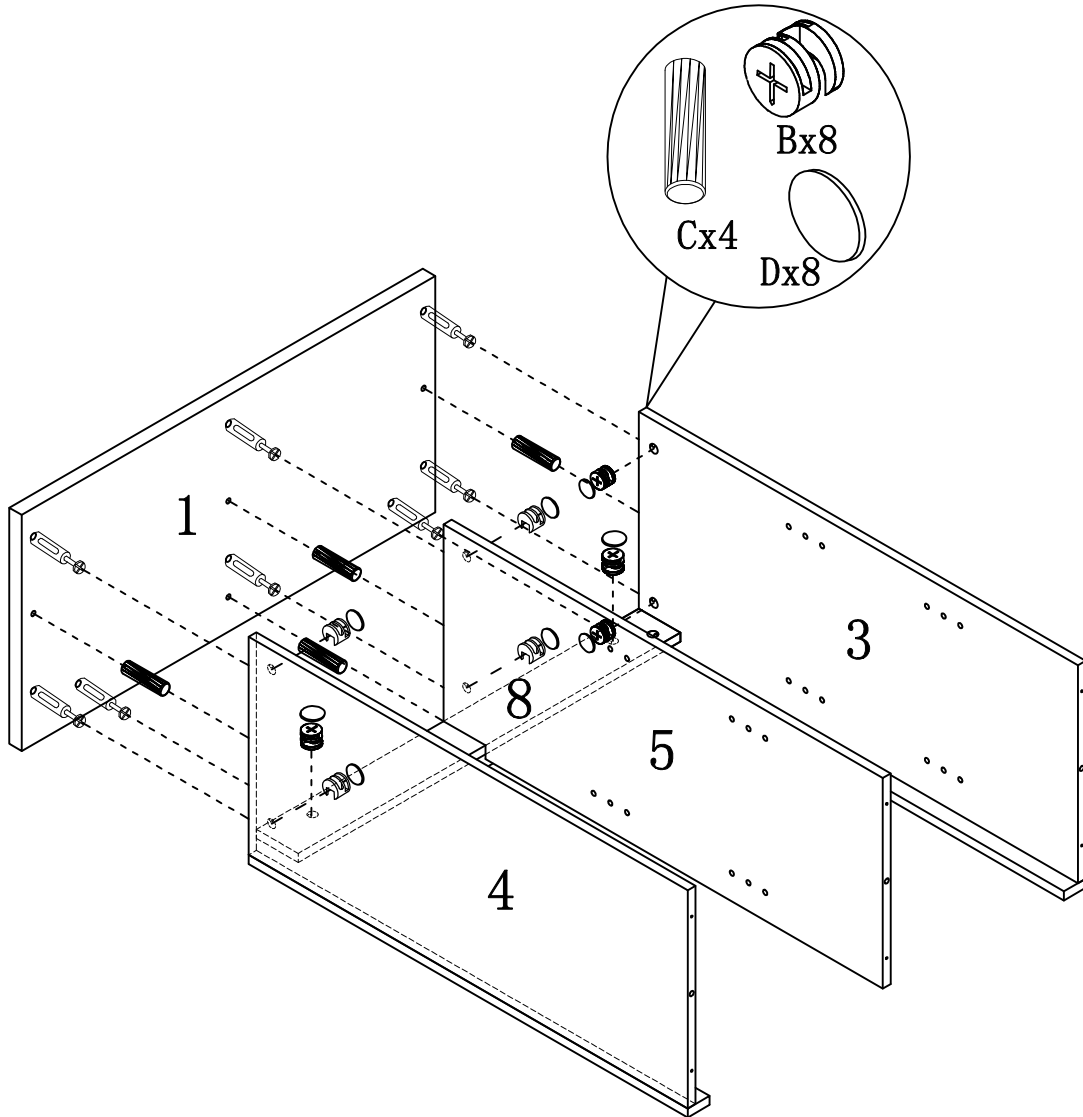
STEP 8 / ETAPE 8




TOOLS REQUIRED (NOT INCLUDED)
OUTILS REQUIS (NON COMPRIS)

ITEM NO/NO BRIBRACC/223133
BRIWHACC/223134

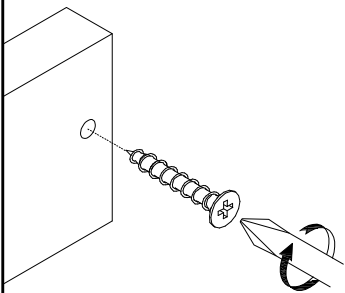
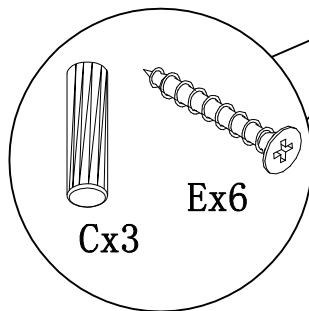
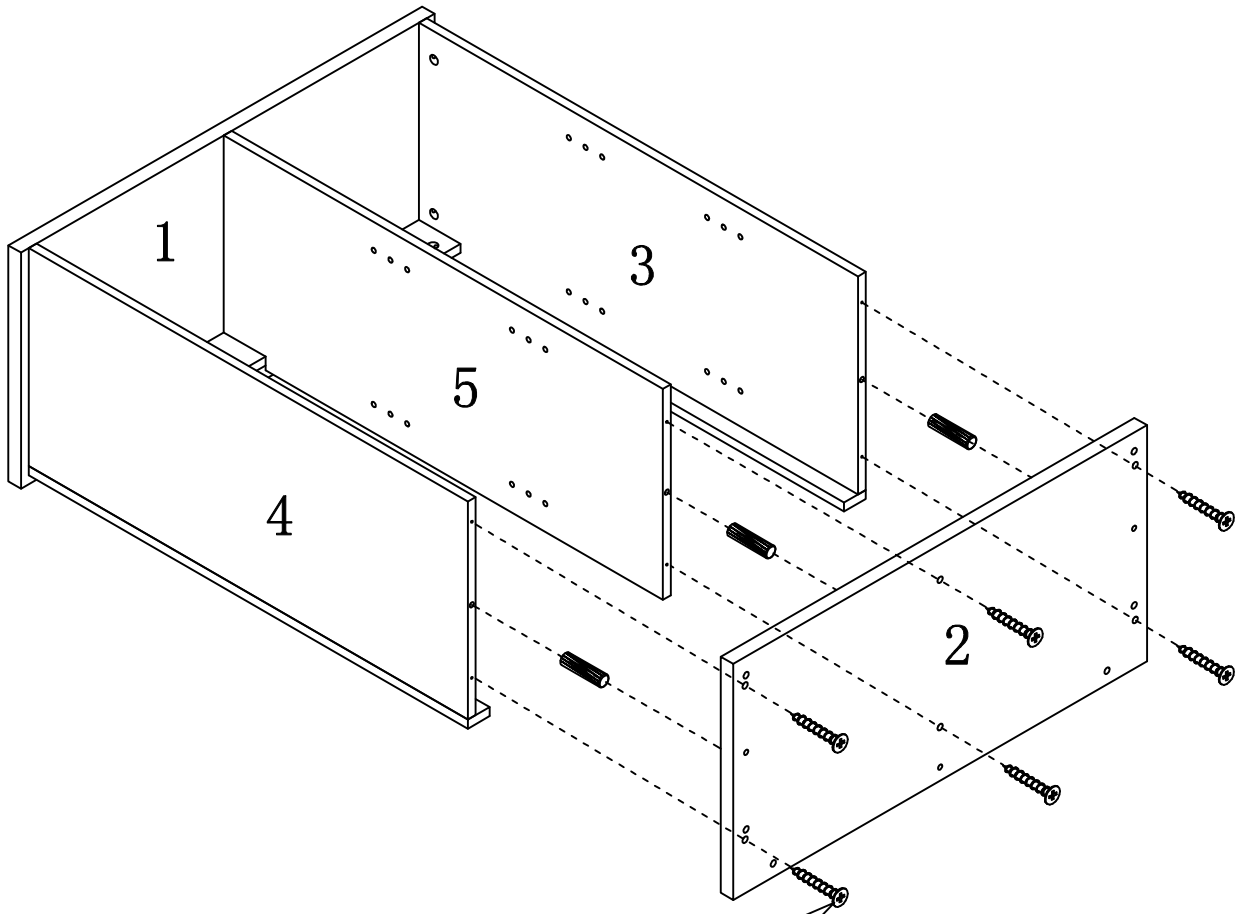
STEP 9 / ETAPE 9





TOOLS REQUIRED (NOT INCLUDED)
OUTILS REQUIS (NON COMPRIS)

ITEM NO/NO BRIBRACC/223133
BRIWHACC/223134

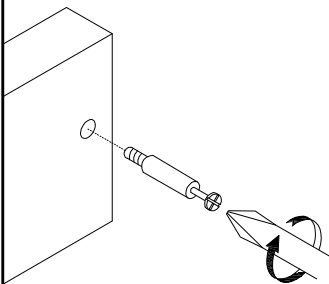
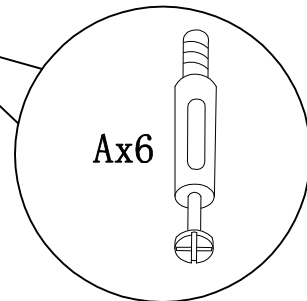
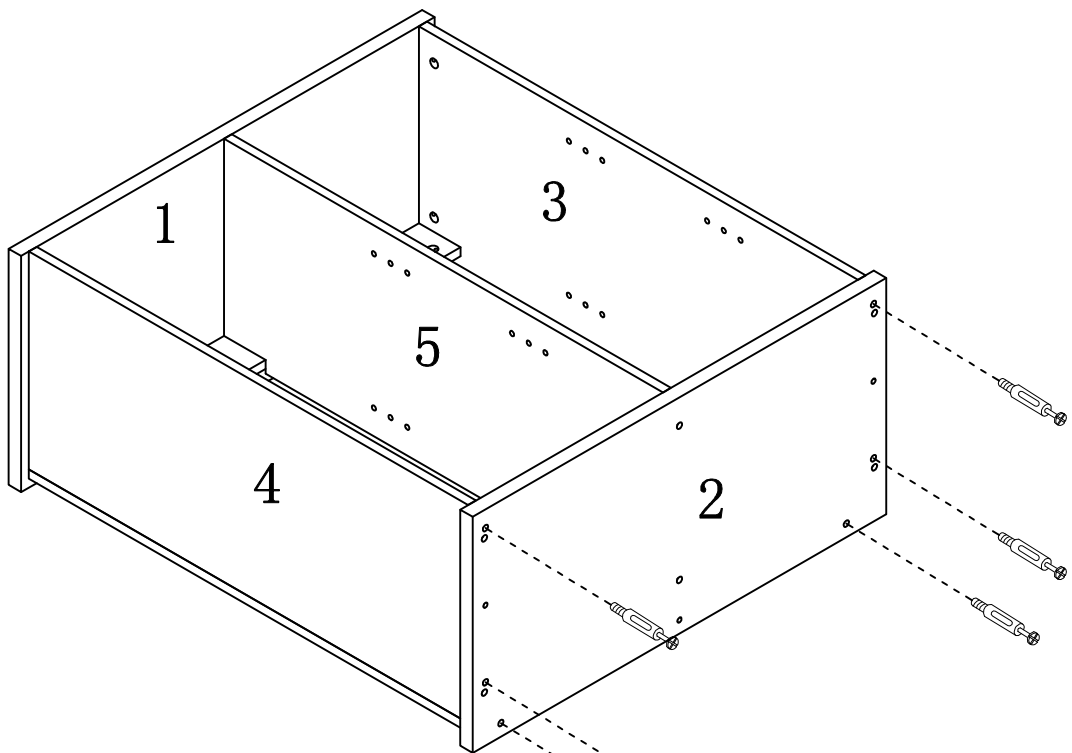
STEP 10 / ETAPE 10





TOOLS REQUIRED (NOT INCLUDED)
OUTILS REQUIS (NON COMPRIS)

ITEM NO/NO BRIBRACC/223133
BRIWHACC/223134

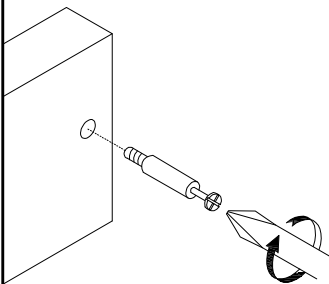
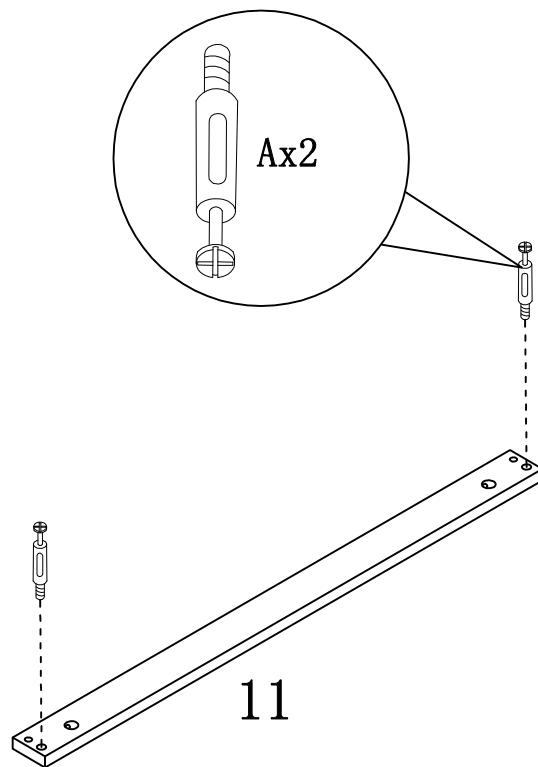
STEP 11 / ETAPE 11




TOOLS REQUIRED (NOT INCLUDED)
OUTILS REQUIS (NON COMPRIS)

ITEM NO/NO BRIBRACC/223133
BRIWHACC/223134

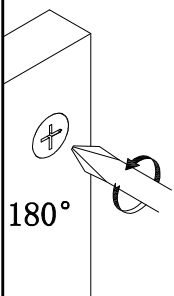
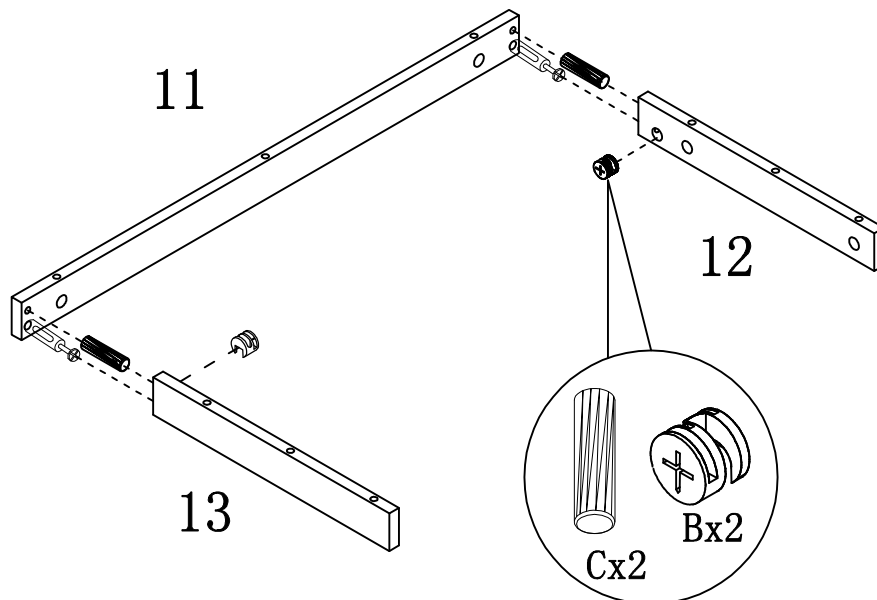
STEP 12 / ETAPE 12




TOOLS REQUIRED (NOT INCLUDED)
OUTILS REQUIS (NON COMPRIS)

ITEM NO/NO BRIBRACC/223133
BRIWHACC/223134

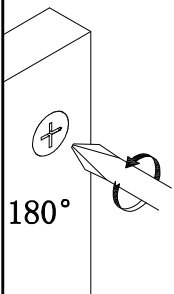
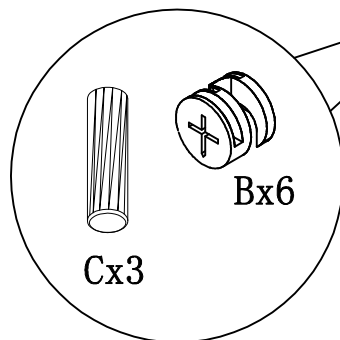
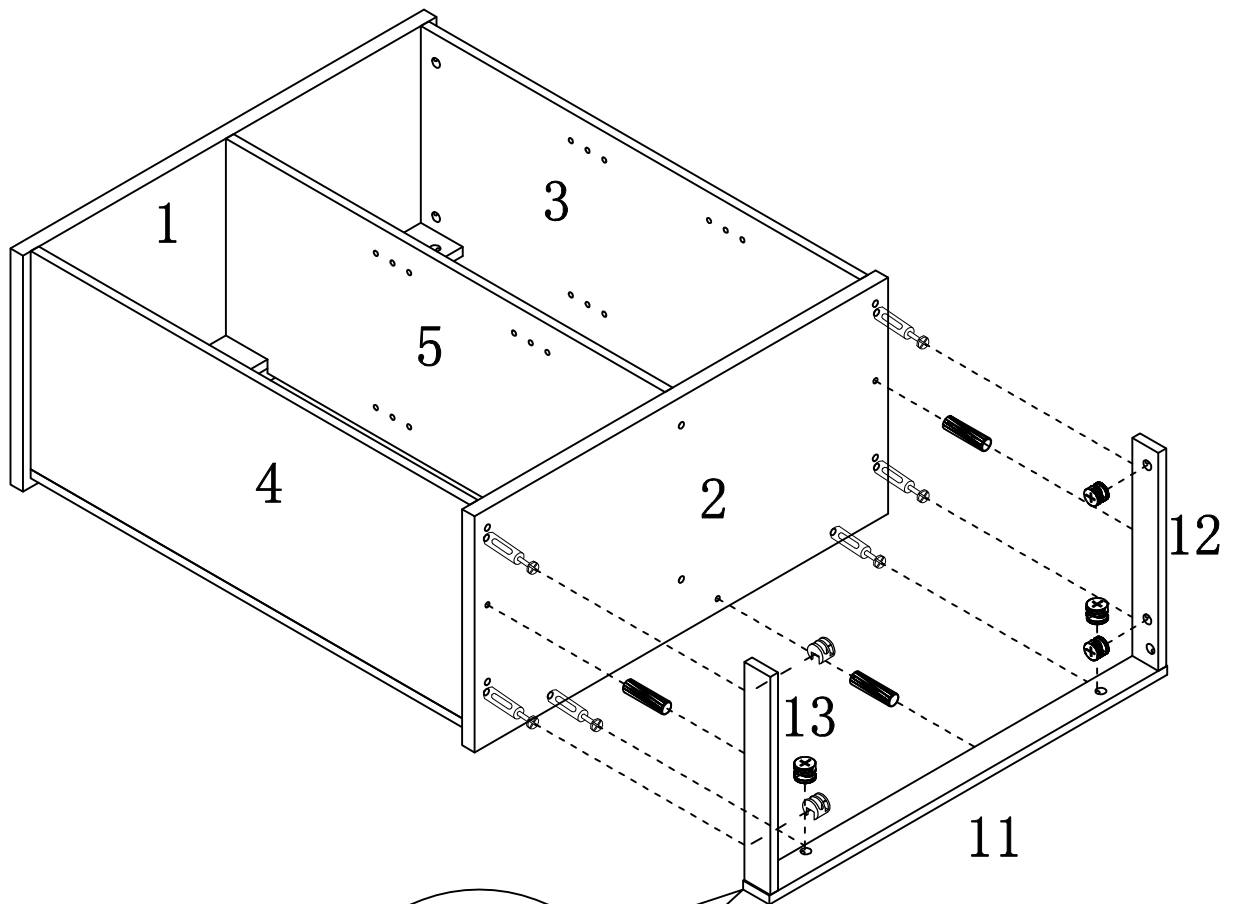
STEP 13 / ETAPE 13




TOOLS REQUIRED (NOT INCLUDED)
OUTILS REQUIS (NON COMPRIS)

ITEM NO/NO BRIBRACC/223133
BRIWHACC/223134

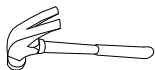
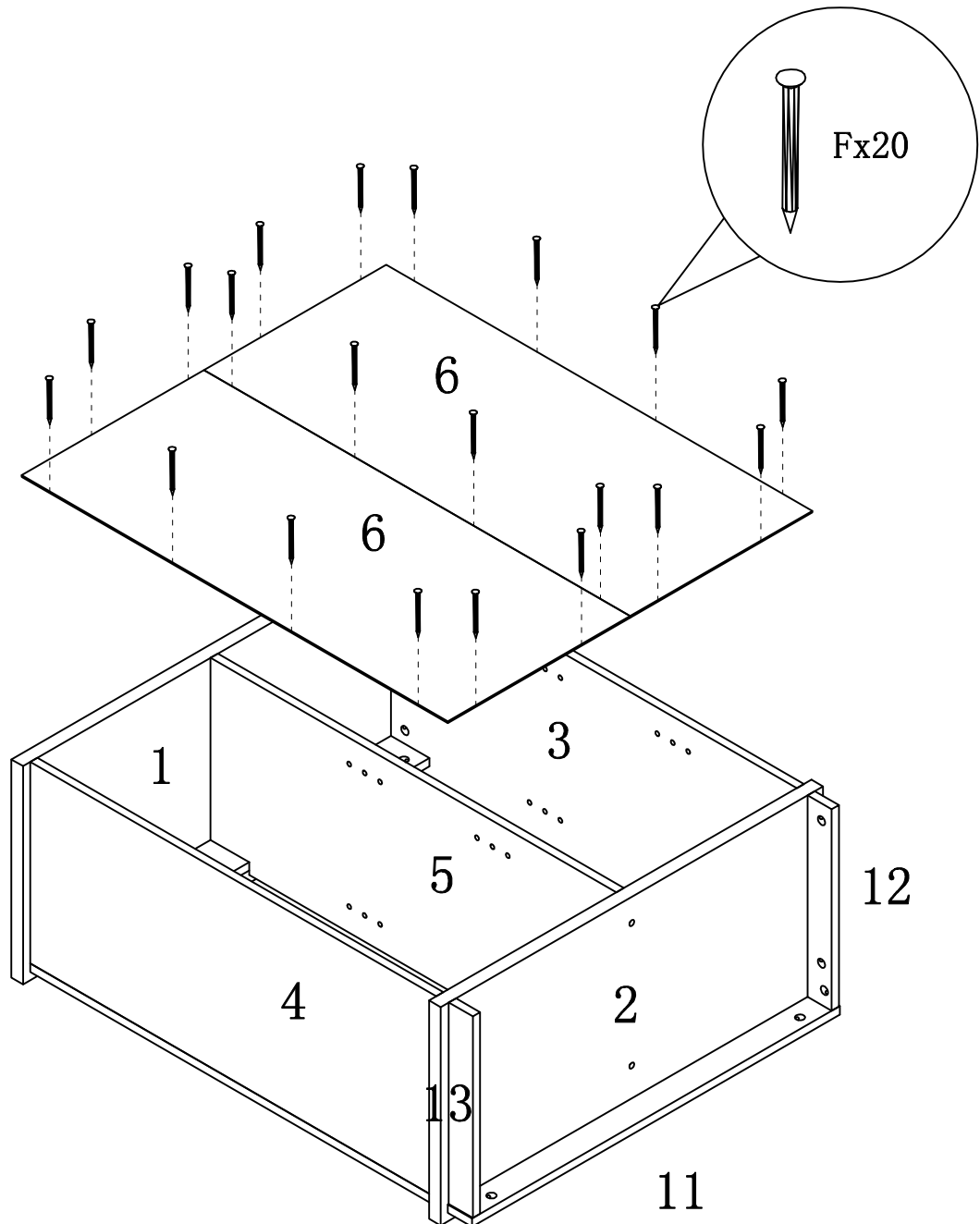
STEP 14 / ETAPE 14



TOOLS REQUIRED (NOT INCLUDED)
OUTILS REQUIS (NON COMPRIS)

ITEM NO/NO BRIBRACC/223133
BRIWHACC/223134

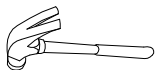
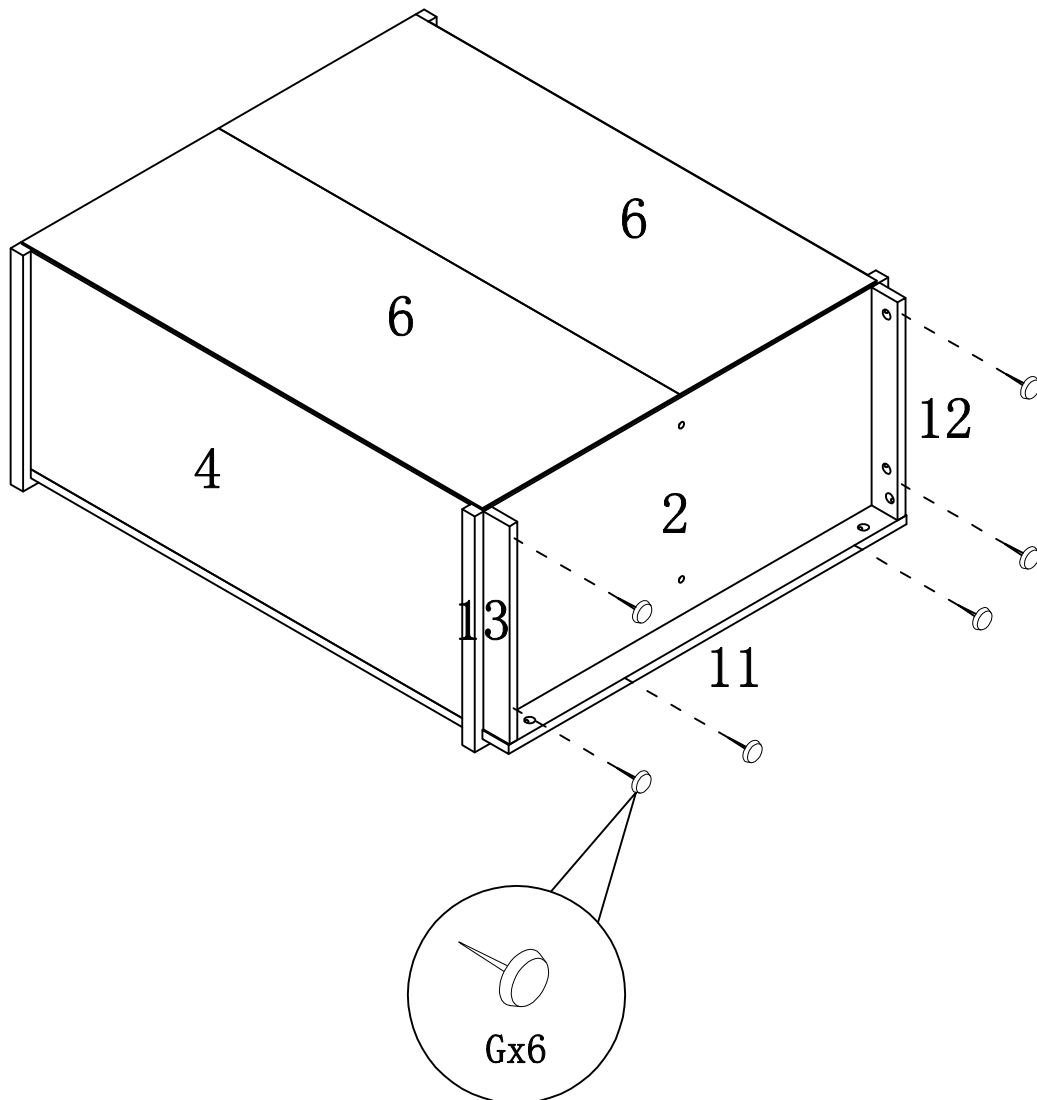
STEP 15 / ETAPE 15



TOOLS REQUIRED (NOT INCLUDED)
OUTILS REQUIS (NON COMPRIS)

ITEM NO/NO BRIBRACC/223133
BRIWHACC/223134

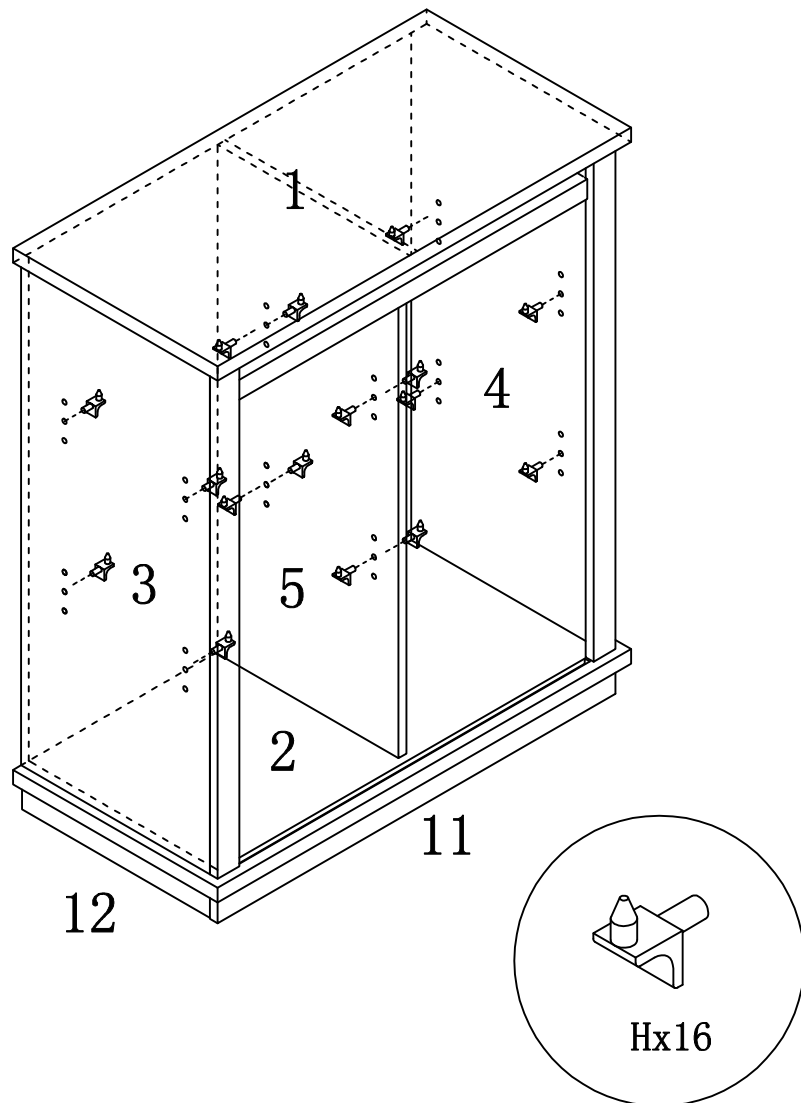
STEP 16 / ETAPE 16



TOOLS REQUIRED (NOT INCLUDED)
OUTILS REQUIS (NON COMPRIS)

ITEM NO/NO BRIBRACC/223133
BRIWHACC/223134

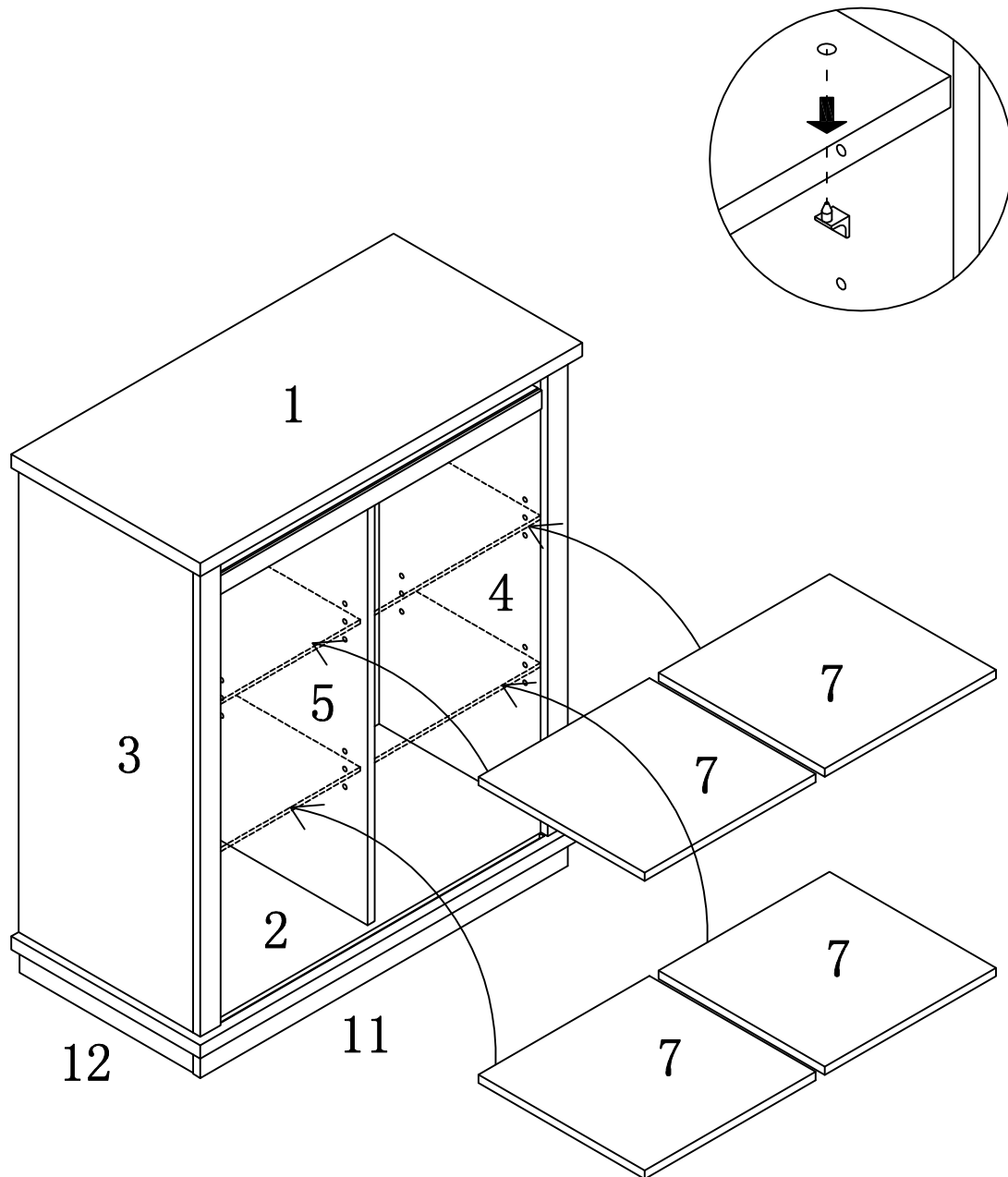
STEP 17 / ETAPE 17



TOOLS REQUIRED (NOT INCLUDED)
OUTILS REQUIS (NON COMPRIS)

ITEM NO/NO BRIBRACC/223133
BRIWHACC/223134

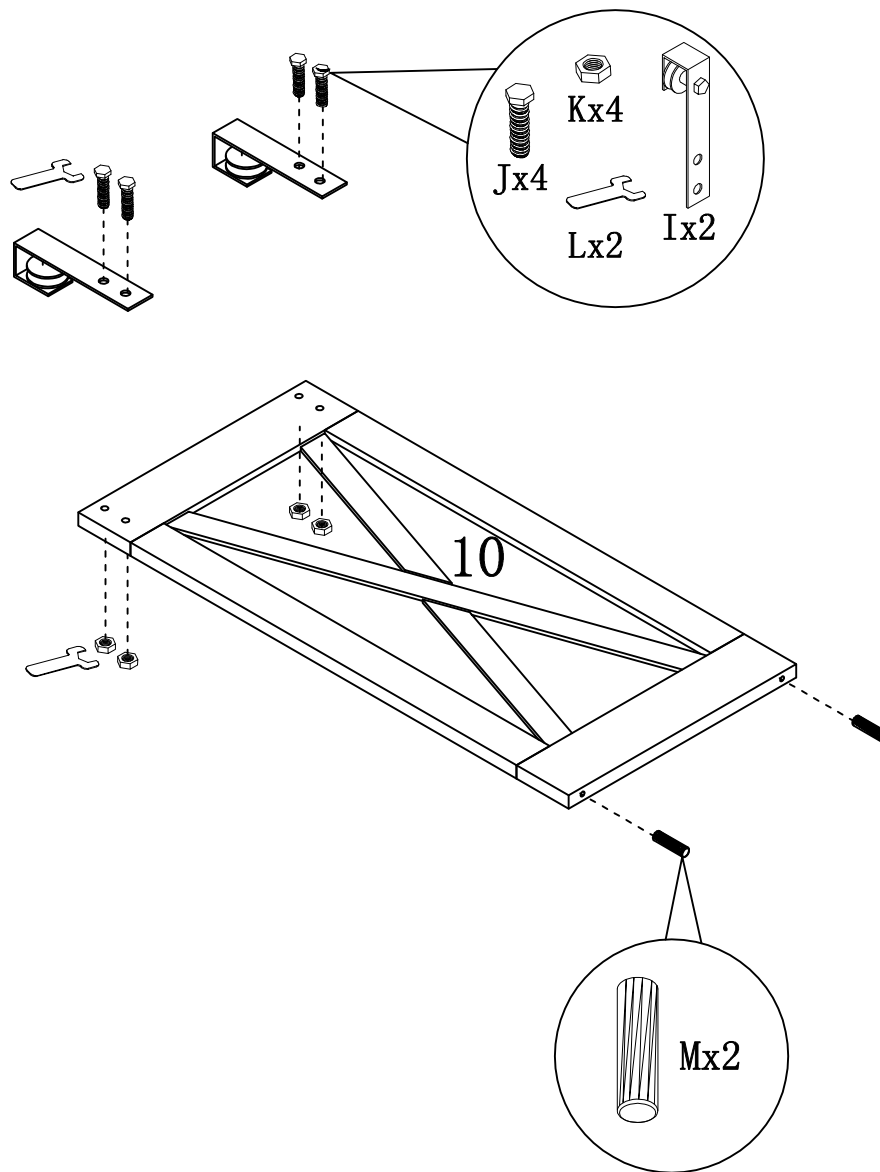
STEP 18 / ETAPE 18



TOOLS REQUIRED (NOT INCLUDED)
OUTILS REQUIS (NON COMPRIS)

ITEM NO/NO BRIBRACC/223133
BRIWHACC/223134

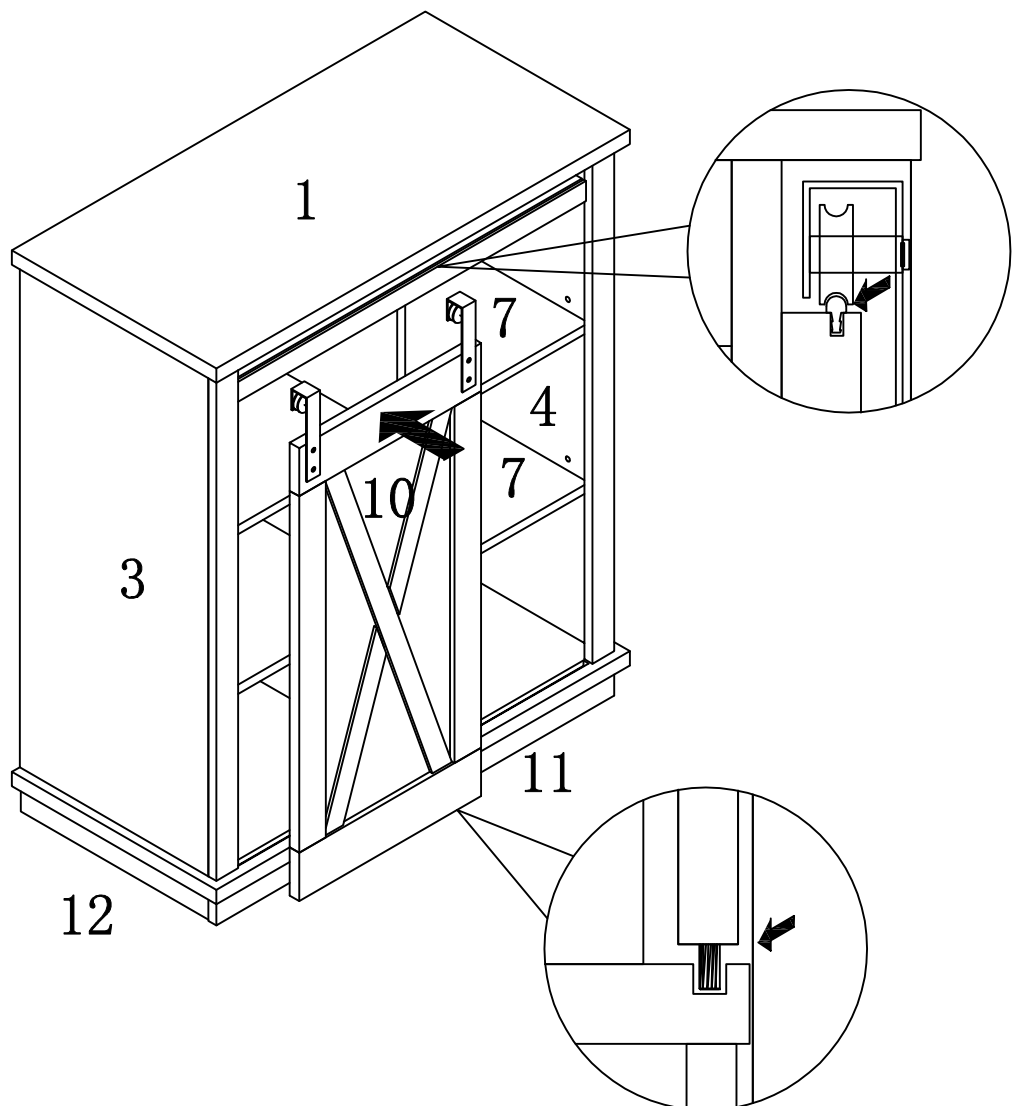
STEP 19/ ETAPE 19



TOOLS REQUIRED (NOT INCLUDED)
OUTILS REQUIS (NON COMPRIS)

ITEM NO/NO BRIBRACC/223133
BRIWHACC/223134

STEP 20/ ETAPE 20

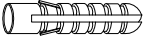
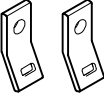
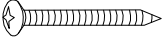

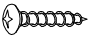


TOOLS REQUIRED (NOT INCLUDED)
OUTILS REQUIS (NON COMPRIS)

ANTI-TIPPING STRAP INSTRUCTION

Instructions pour sangle anti-basculement

Quincaillerie (Incluse):

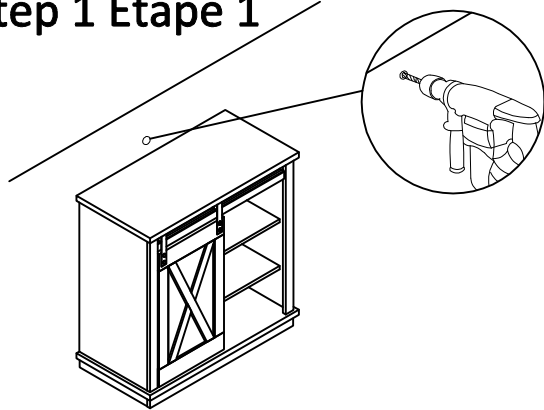
-  DRYWALL ANCHOR $\phi 8 \times 40$ X 1PCS
-  Fixation en métal $12 \times 12 \times 1$ X 2PCS
-  Vis $\phi 5 \times 40$ X 1PCS
-  Sangle $197 \times 5 \times 1$ X 1PCS
-  Vis $\phi 4 \times 25$ X 1PCS

Outils requis (Non inclus):

-  DRILL & DRILL BIT
Perceuse et trépan
-  LIGHT HAMMER
Marteau léger

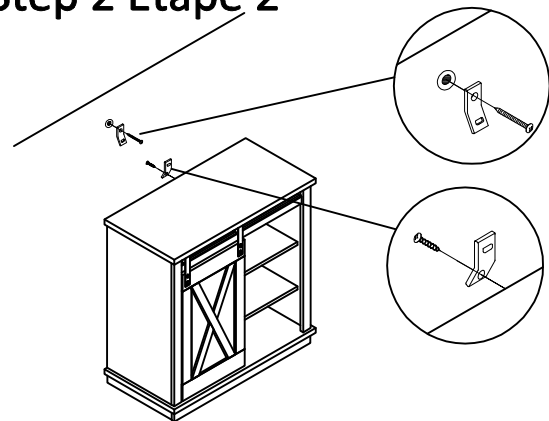
Note: Hardware included only compatible with standard drywalls. :Notez que la quincaillerie incluse est compatible avec les ancrages de mur standard

Step 1 Étape 1



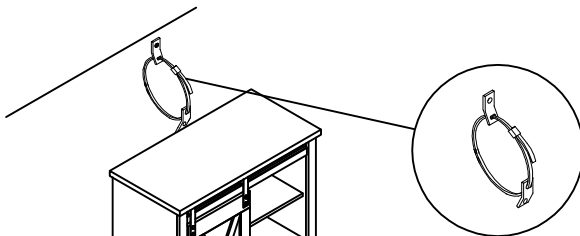
1. Find spot on wall 1" below the top of item.
Placer sur le mur à 1 pouce au-dessus de l'article.
2. Using a drill bit slightly smaller than the gauge of anchor, drill a hole, then place the anchor into wall.
À l'aide d'un trépan légèrement plus petit qu'un ancrage en acier de jauge, percer un trou puis placer l'ancrage dans le mur.

Step 2 Étape 2



1. Screw the metal bracket into the anchor of wall.
Visser la première fixation en métal à l'intérieur de l'ancrage de mur.
2. Screw the second metal bracket into the back of item along the of soleid frame.
Visser la deuxième fixation à l'arrière de l'article.

Step 3 Étape 3



1. Insert strap thru the bracket attached to wall and the second attached to the product.
Insérer la sangle à l'intérieur de la fixation en métal. Elle s'attache facilement sur l'arrière du meuble, l'autre bout étant fixé au mur.
2. Pull tightly: Et puis tirer fermement.