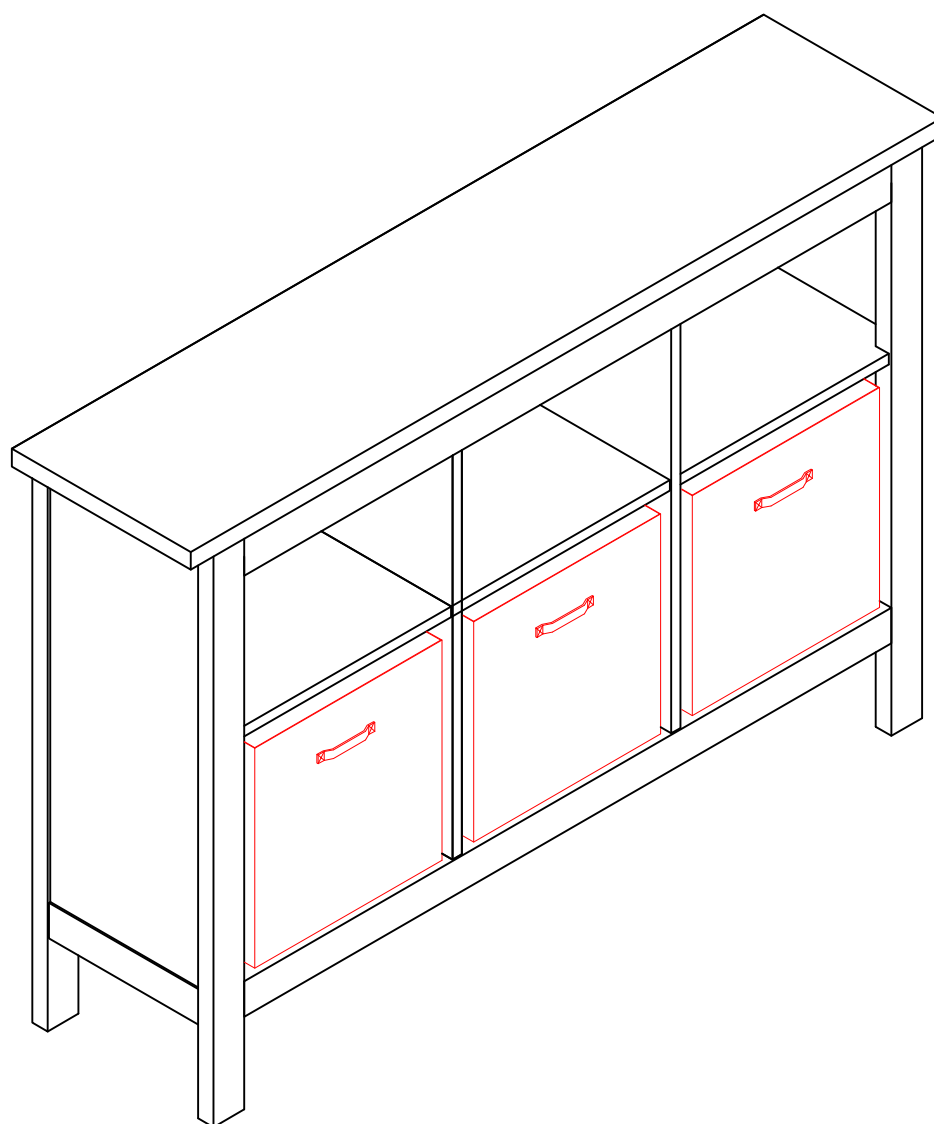


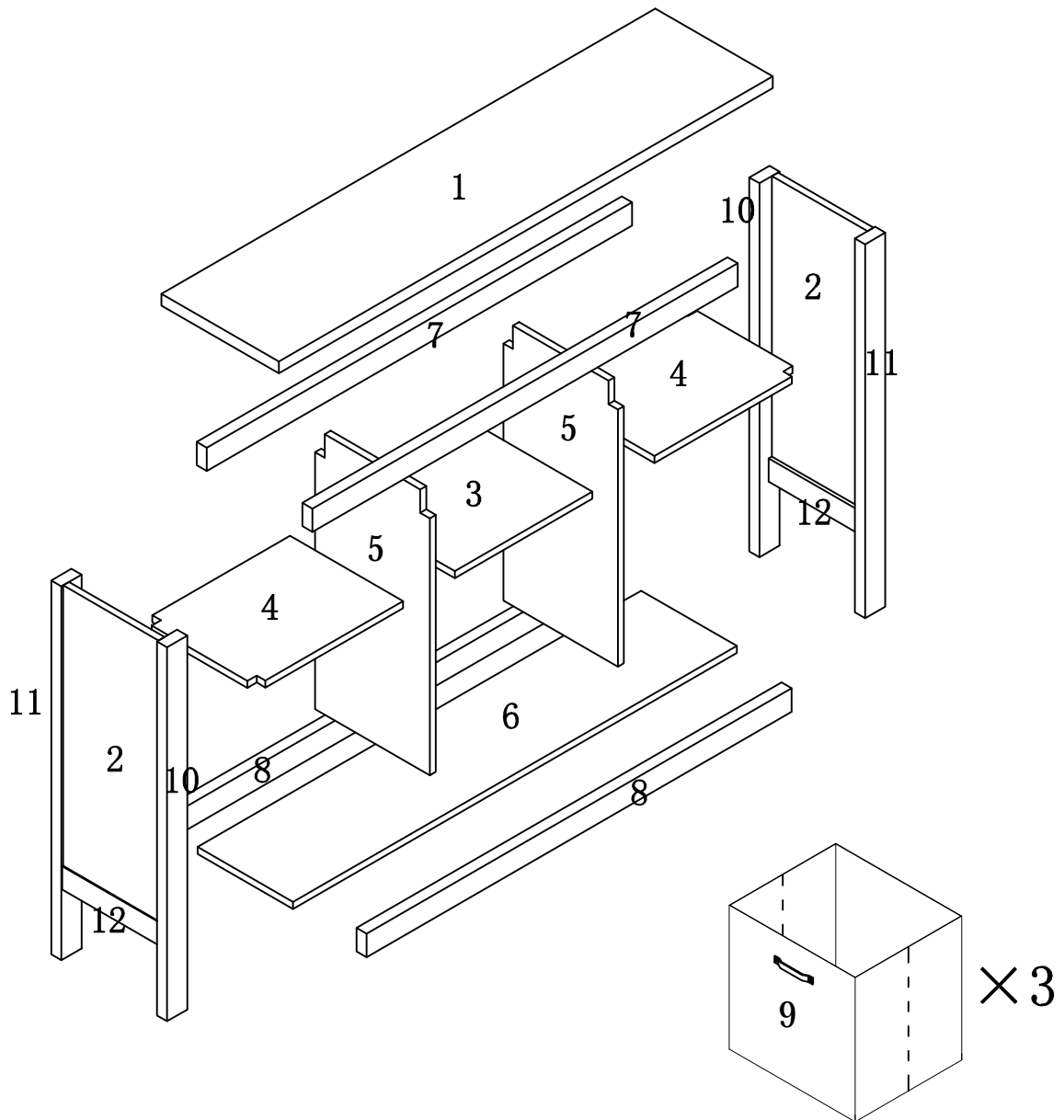
ASSEMBLY INSTRUCTIONS / INSTRUCTIONS D'ASSEMBLAGE

ITEM NO/NO ARTICLE: 12613



PARTS IDENTIFICATIONS / IDENTIFICATION DES PIÈCES

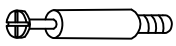


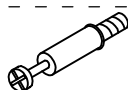

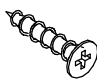
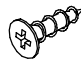
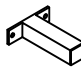

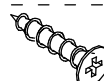

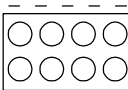
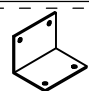
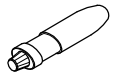
ITEM NO/NO ARTICLE: 12613



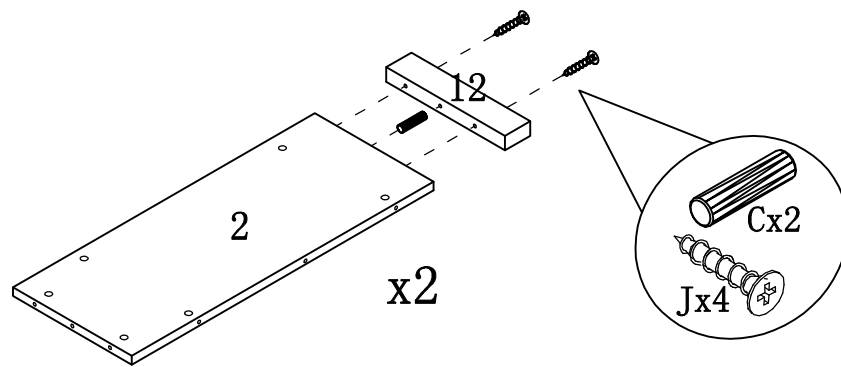
(1)	1pc/pce	(7)	2pcs/pces
(2)	2pcs/pces	(8)	2pcs/pces
(3)	1pc/pce	(9)	3pcs/pces
(4)	2pcs/pces	(10)	2pcs/pces
(5)	2pcs/pces	(11)	2pcs/pces
(6)	1pc/pce	(12)	2pcs/pces

HARDWARE IDENTIFICATIONS/ IDENTIFICATION DU KIT D'ASSEMBLAGE

ITEM NO/NO ARTICLE: 12613

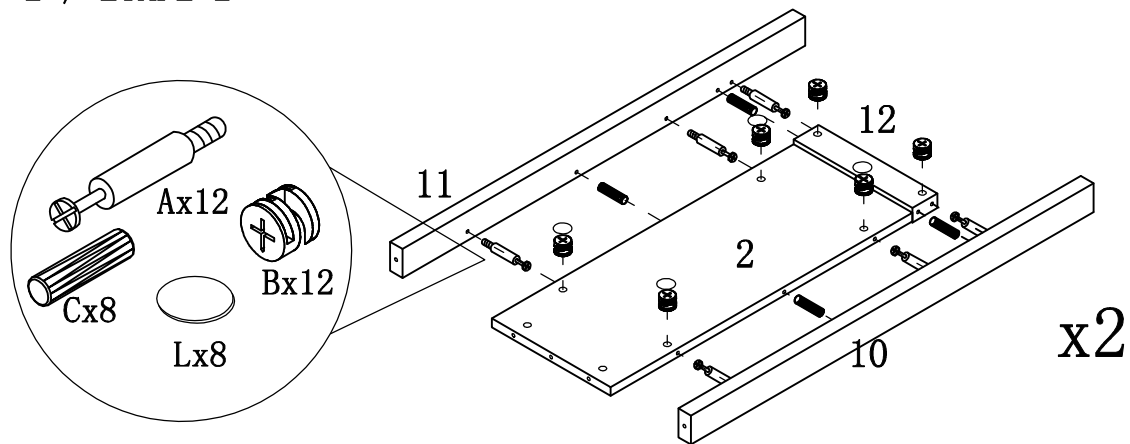
A		L=29	52pcs/pces
B		ø15	52pcs/pces
C		ø8 x 25	36pcs/pces
D		L=23	4pcs/pces
E		ø12	4pcs/pces
F		ø4 x 35	4pcs/pces
G		ø4 x 16	2pcs/pces
H		80 x 25x187H	1pc/pce
I		ø16	4pcs/pces
J		ø4 x 50	8pcs/pces
K		ø4 x 14	16pcs/pces
L		ø20	8pcs/pces
M		38 x 20x20	4pcs/pces
N		To firmly secure the cover to the connecting hole / Pour coller la rondelle au trou de connexion	1pc/pce

ITEM NO/NO ARTICLE: 12613

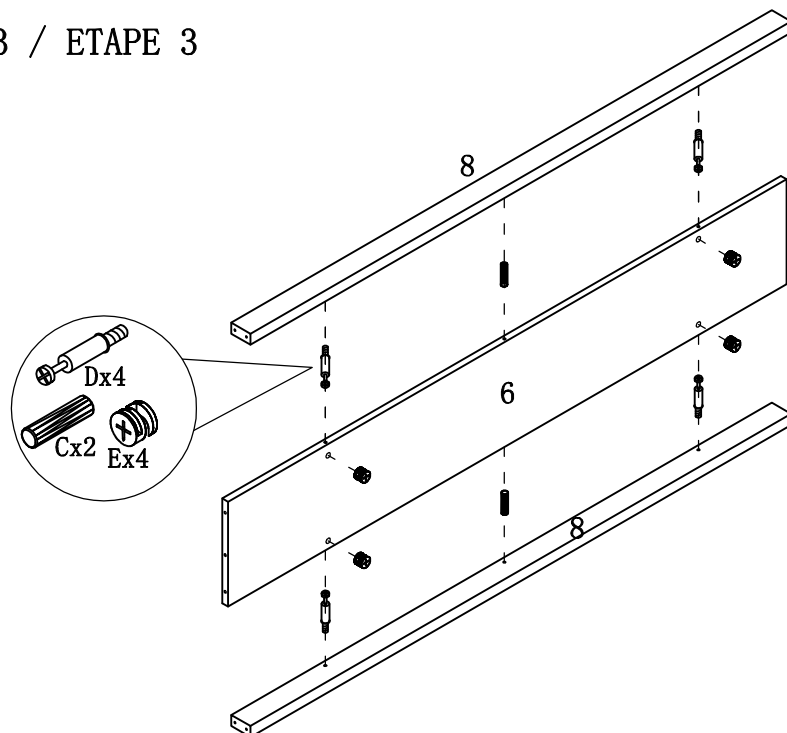


STEP 1 / ETAPE 1

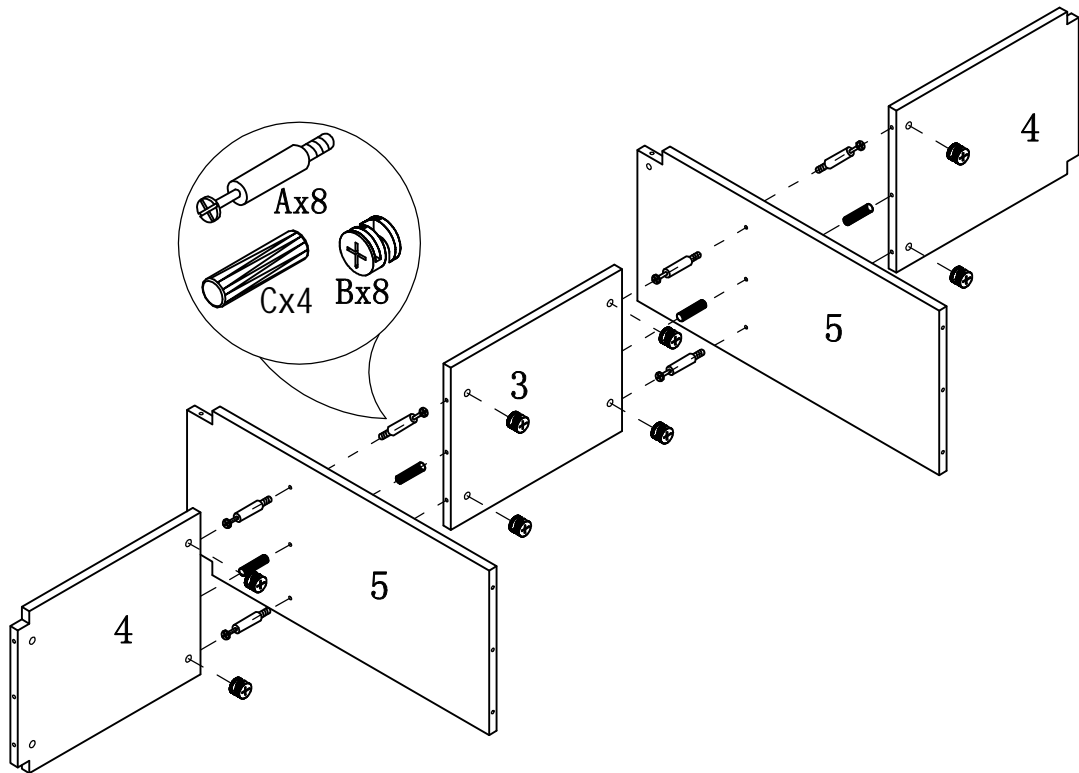
STEP 2 / ETAPE 2



STEP 3 / ETAPE 3

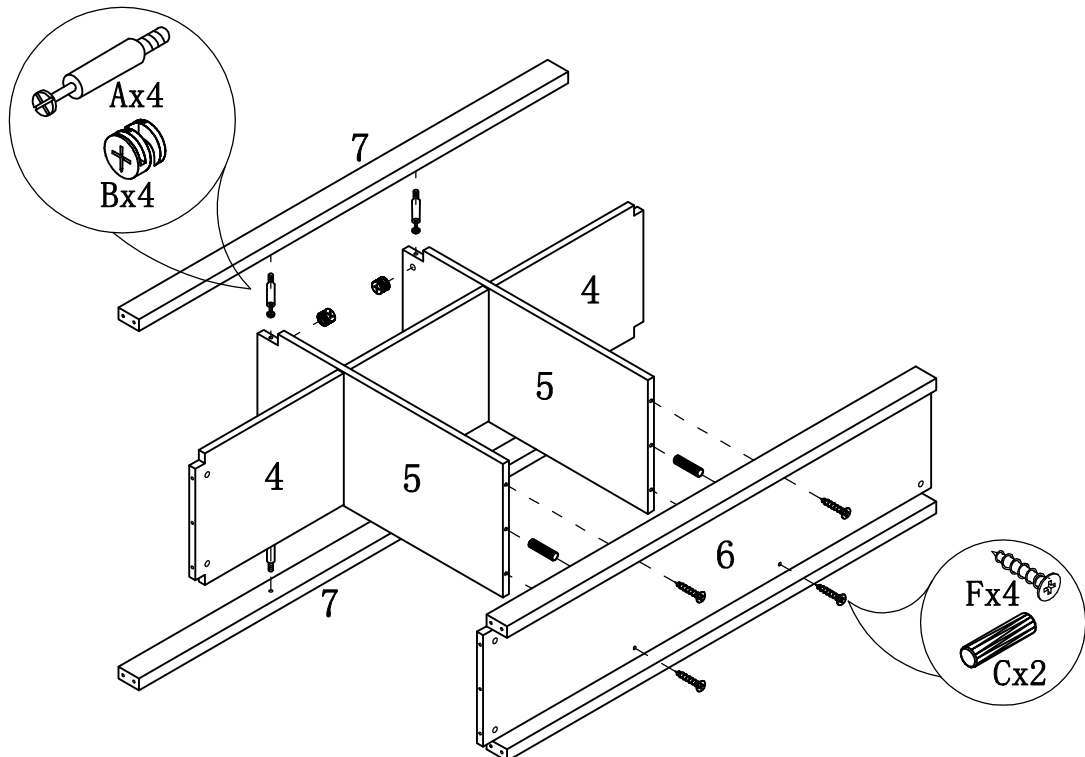


ITEM NO/NO ARTICLE: 12613

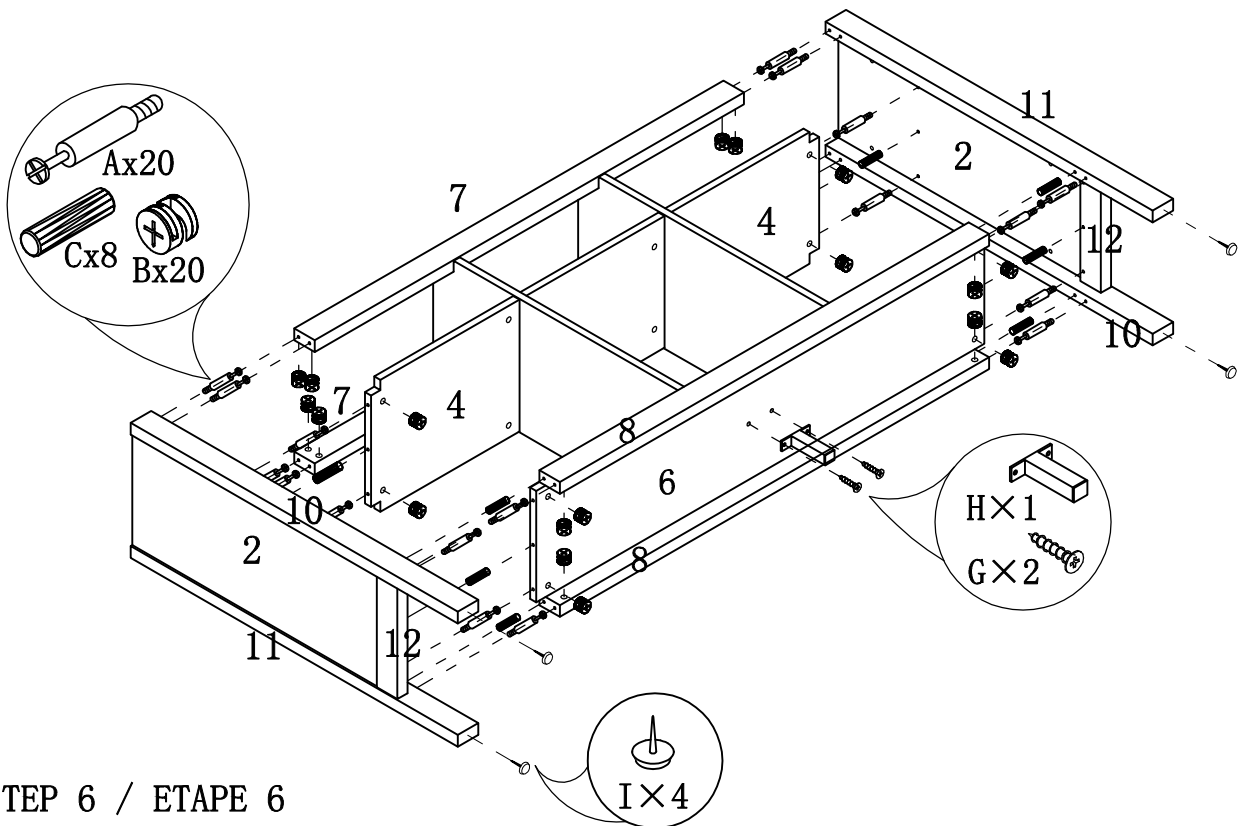


STEP 4 / ETAPE 4

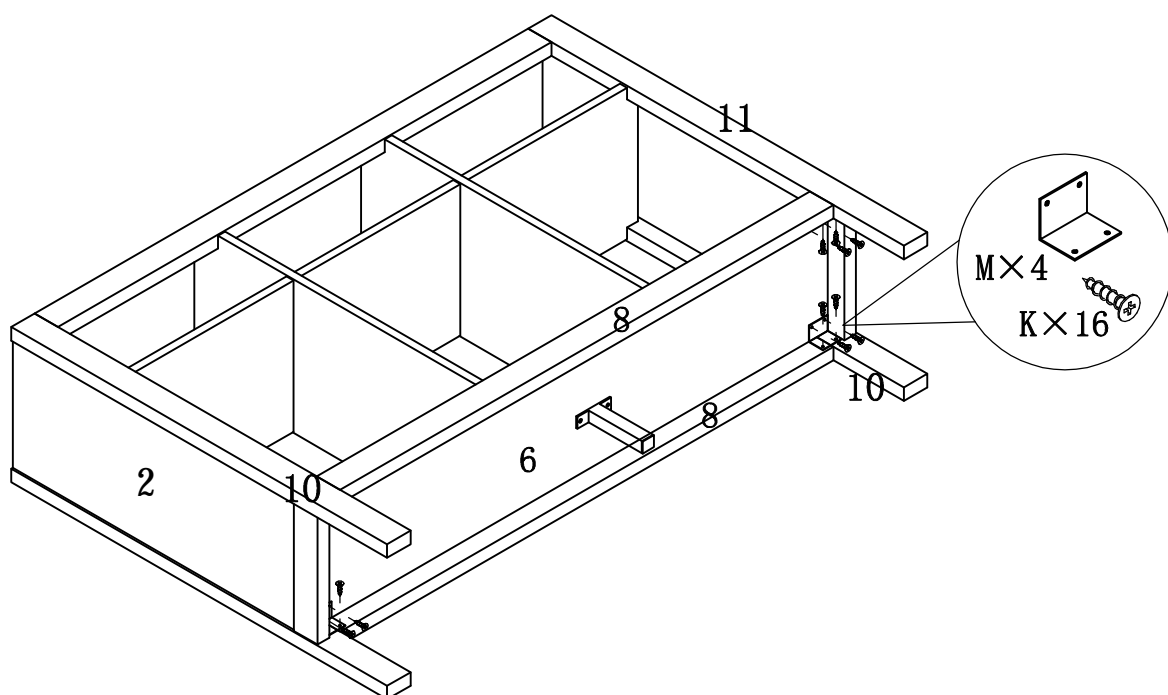
STEP 5 / ETAPE 5



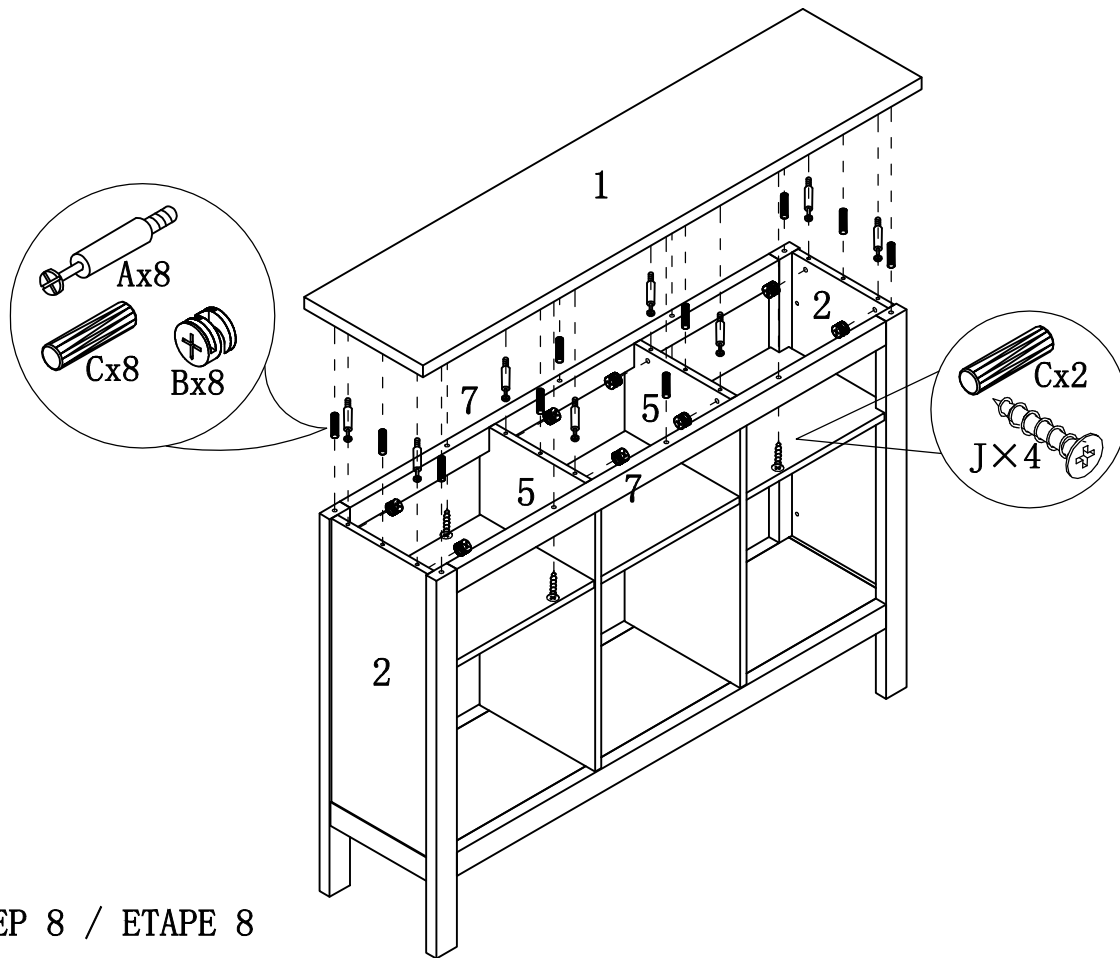
ITEM NO/NO ARTICLE: 12613



STEP 7 / ETAPE 7



ITEM NO/NO ARTICLE: 12613



STEP 8 / ETAPE 8

STEP 9 / ETAPE 9

