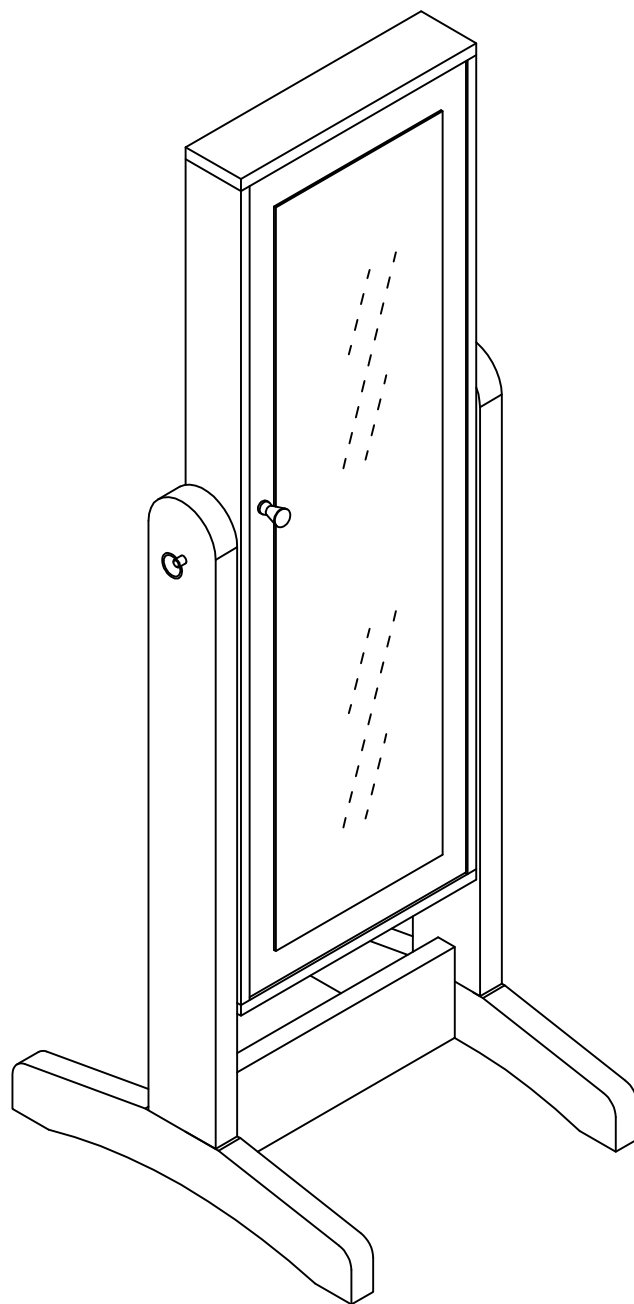


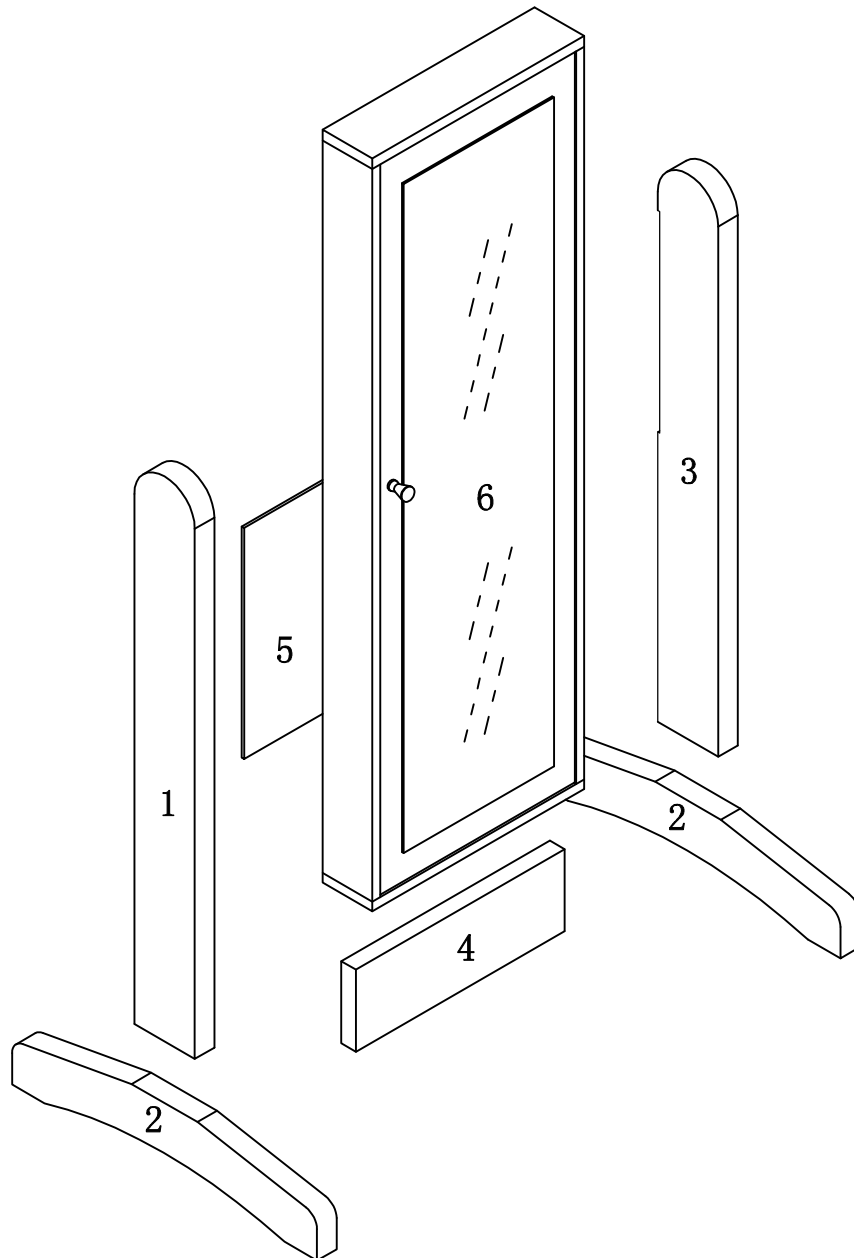
ASSEMBLY INSTRUCTIONS /
INSTRUCTIONS D'ASSEMBLAGE

ITEM NO/NO ARTICLE: 10380



PARTS IDENTIFICATION / IDENTIFICATION DES PIECES




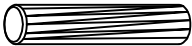


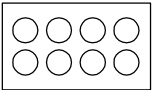

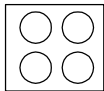

ITEM NO/NO ARTICLE: 10380



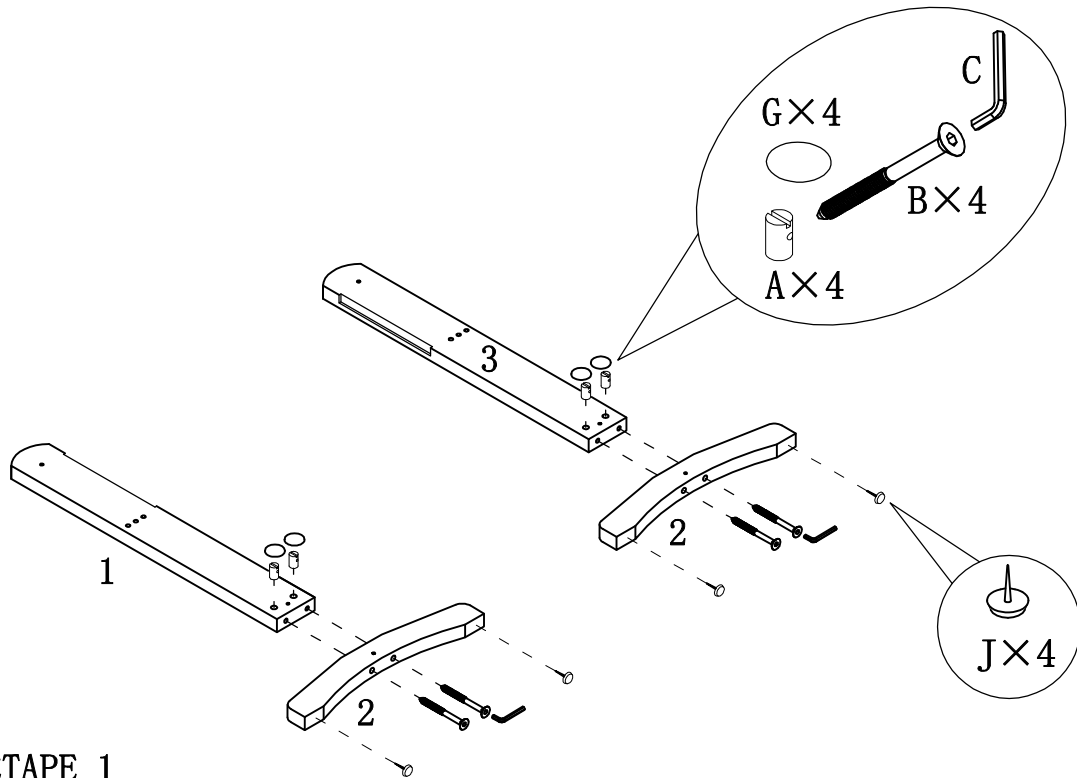
- | | |
|-----|-----------|
| (1) | 1pc/pce |
| (2) | 2pcs/pces |
| (3) | 1pc/pce |
| (4) | 1pc/pce |
| (5) | 1pc/pce |
| (6) | 1pc/pce |

HARDWARE IDENTIFICATION / IDENTIFICATION DU KIT D'ASSEMBLAGE

ITEM NO/NO ARTICLE: 10380

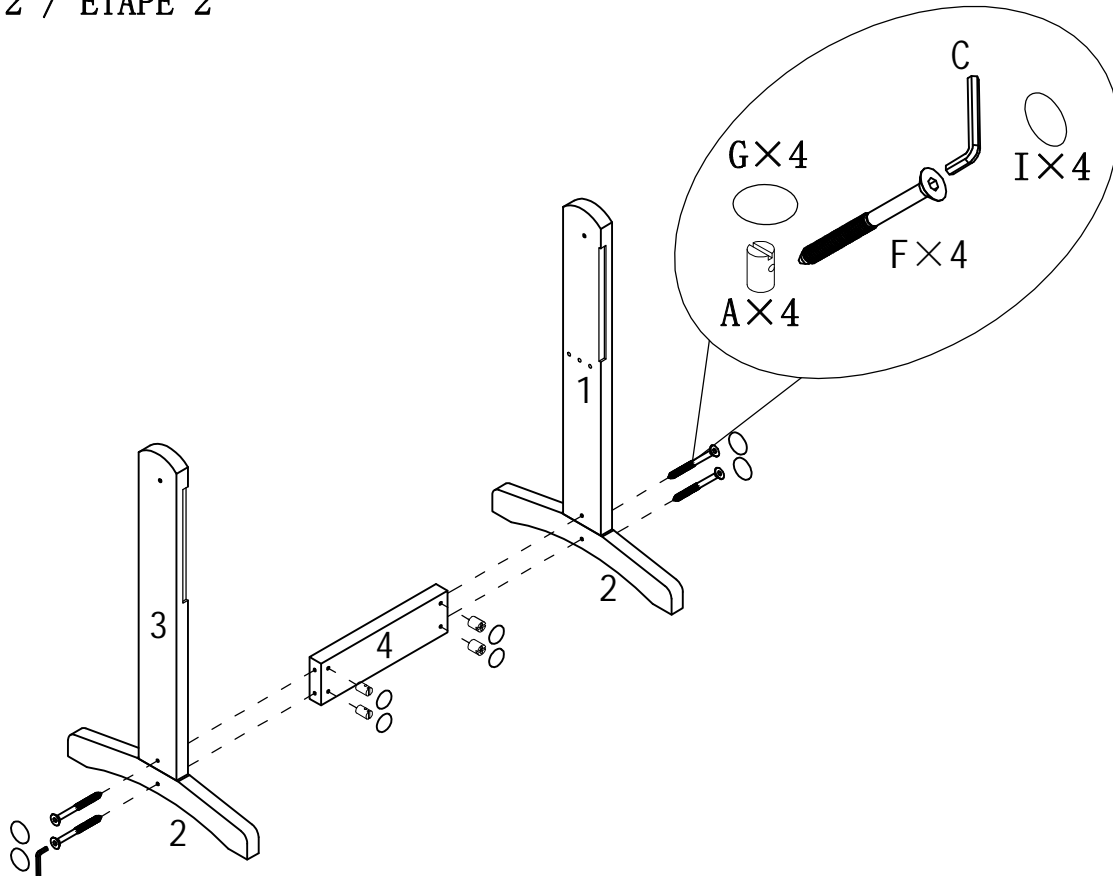
A		ø10	8pcs/pces
B		ø6 × 85	4pcs/pces
C		M4	1pc/pce
D		ø8 × 40	2pcs/pces
E		Z1016	10pcs/pces
F		ø6 × 65	4pcs/pces
G		ø13	8pcs/pces
H		ø8 × 50	2pcs/pces
I		ø18	4pcs/pces
J		ø16	4pcs/pces

ITEM NO/NO ARTICLE: 10380

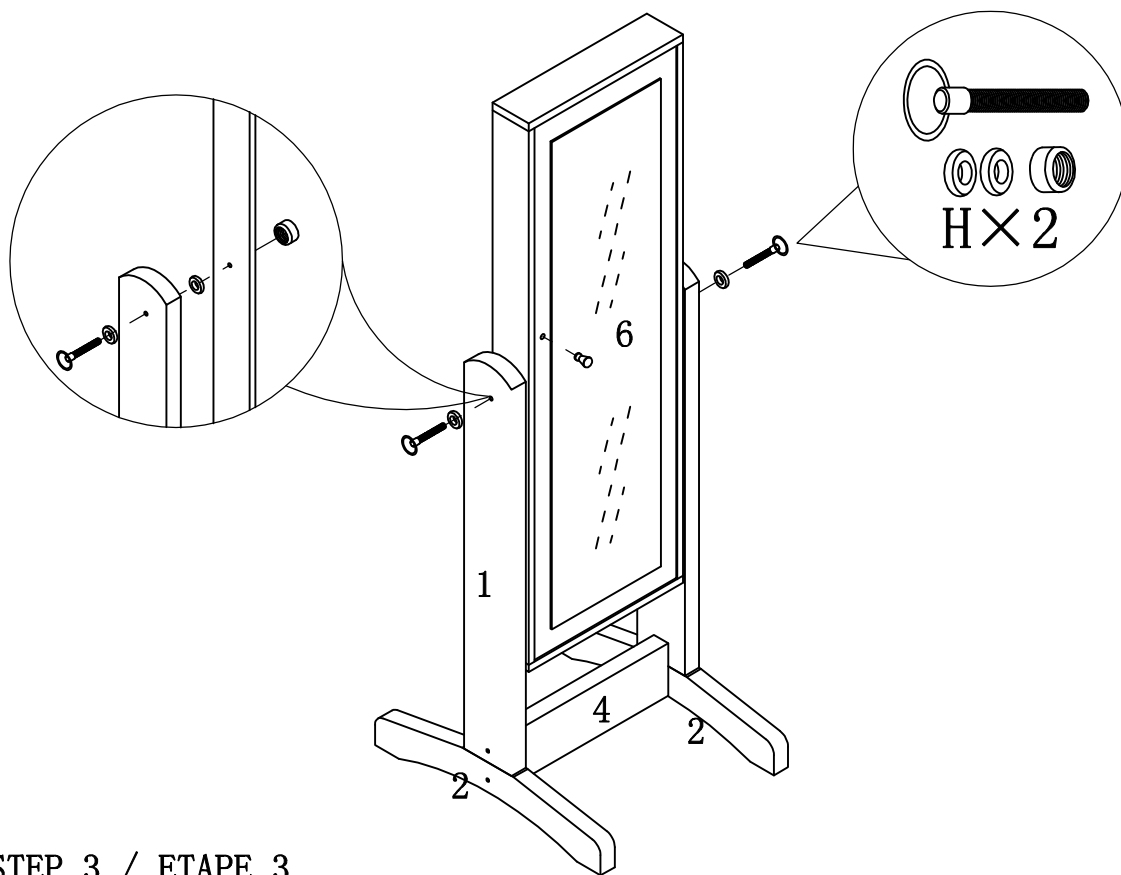


STEP 1 / ETAPE 1

STEP 2 / ETAPE 2

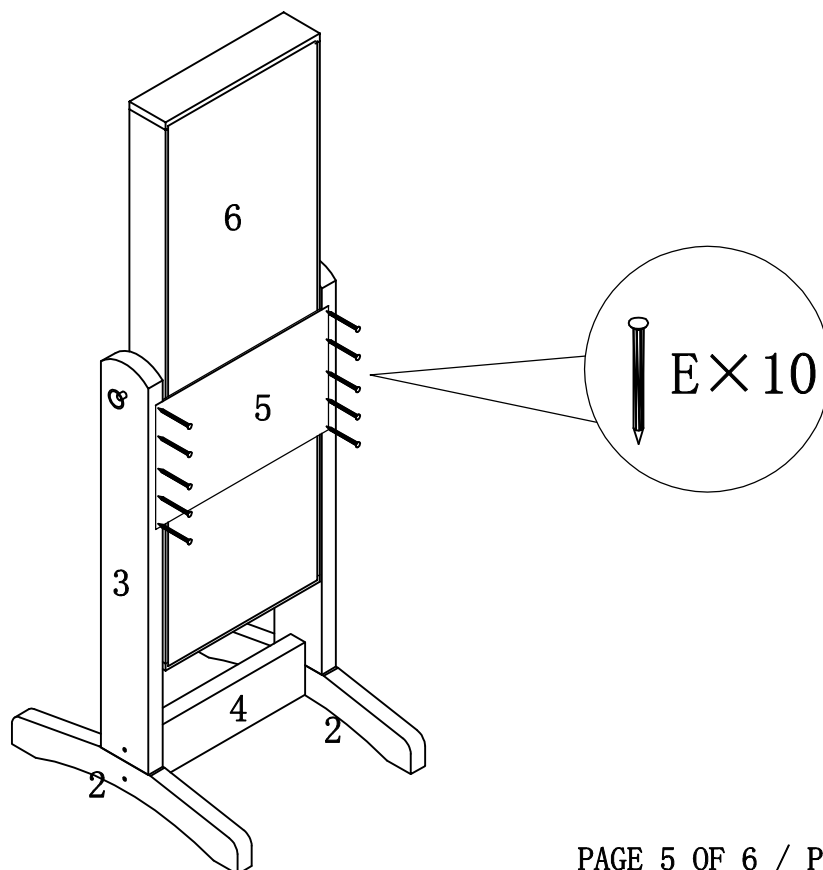


ITEM NO/NO ARTICLE: 10380



STEP 3 / ETAPE 3

STEP 4 / ETAPE 4



ITEM NO/NO ARTICLE: 10380

STEP 5 / ETAPE 5

